



Southern Electric Power Distribution plc

Use of System Charging Statement for its

Embedded Distribution Networks

NOTICE OF CHARGES

Effective from 1st April 2026

Version 1.1

**This statement is in a form to be
approved by the Gas and Electricity
Markets Authority.**

Version Control

Version	Date	Description of version and any changes made
V 1.0	31/01/2025	SEPD EDN DUoS Charges Final April 2026 (LC14 format) _G data not yet included as Host DNO (ENWL) has until 31-01-25 to publish
V 1.1	28/02/2025	Charges added for _G (ENWL area)

A change-marked version of this statement can be provided upon request.

Contents

- 1. Introduction 7
 - Validity period..... 7
 - Contact details 8
- 2. Charge Application and Definitions..... 9
 - Supercustomer/Aggregated Charges..... 10
 - Site-Specific Billing and Payment 10
 - Site-Specific Billed Charges 10
 - Components of Charges..... 11
 - Residual Charging Bands..... 11
 - Time Periods 11
 - Application of Capacity Charges 11
 - Chargeable Capacity 11
 - Exceeded Capacity 12
 - Demand Exceeded Capacity..... 12
 - Generation Exceeded Capacity 12
 - Standby Capacity for Additional Security on Site 12
 - Minimum Capacity Levels 12
 - Application of charges for reactive power..... 12
 - Demand Chargeable Reactive Power..... 13
 - Generation Chargeable Reactive Power 13
 - Allocation of Charges 13
 - Provision of billing data 15
 - Licensed Distributor Network Operator charges 15
 - Licence exempt distribution networks 15
 - Full settlement metering 15
 - Difference metering..... 16
 - Shared metering 16
 - Gross settlement..... 16
- 3. Schedule of Charges for use of our Embedded Networks 17
- 4. Schedule of Line Loss Factors 18
 - Role of Line Loss Factors in the Supply of Electricity 18
 - Calculation of Line Loss Factors 18
 - Publication of Line Loss Factor tables..... 18
- 5. Notes for EHV Properties 20
 - Charges for EHV Properties 20
 - Charges for Amended EHV Properties 20
 - Demand Side Management 20
- 6. Electricity Distribution Rebates..... 21
- 7. Accounting and Administration Services 22
- 8. Charges for electrical plant provided ancillary to the grant of Use of System..... 23
- 9. Schedule of fixed adders to recover Supplier of Last Resort and Eligible Bad Debt pass-through costs 24
 - Supplier of Last Resort 24
 - Eligible Bad Debt 24
 - Tables of Fixed Adders 24
- 10. Non-Final Demand Sites 25
- 11. Back-up Connections 26
- Appendix 1 – Glossary..... 27

Appendix 2 - Guidance notes	34
Background	34
Meter point administration	34
Your charges	35
Reducing your charges.....	35
Reactive power and reactive power charges.....	35
Site-specific charges.....	36
Additional Notes	38
Appendix 3 – Non-Final Demand Site Certificate.....	39
Annex 1 - Schedule of Charges for use of the Distribution System by LV and HV Properties in “Eastern Power Networks Area (GSP Group _A)”	40
Annex 1 - Schedule of Charges for use of the Distribution System by LV and HV Properties in “NGED East Midlands Area (GSP Group _B)”	43
Annex 1 - Schedule of Charges for use of the Distribution System by LV and HV Properties in “London Power Networks Area (GSP Group _C)”	46
Annex 1 - Schedule of Charges for use of the Distribution System by LV and HV Properties in “SP Manweb Area (GSP Group _D)”	50
Annex 1 - Schedule of Charges for use of the Distribution System by LV and HV Properties in “NGED West Midlands Area (GSP Group _E)”	53
Annex 1 - Schedule of Charges for use of the Distribution System by LV and HV Properties in “Northern Powergrid (Northeast) Area (GSP Group _F)”	56
Annex 1 - Schedule of Charges for use of the Distribution System by LV and HV Properties in “Electricity North West Area (GSP Group _G)”	60
Annex 1 - Schedule of Charges for use of the Distribution System by LV and HV Properties in “South Eastern Power Networks Area (GSP Group _J)”	63
Annex 1 - Schedule of Charges for use of the Distribution System by LV and HV Properties in “NGED South Wales Area (GSP Group _K)”	66
Annex 1 - Schedule of Charges for use of the Distribution System by LV and HV Properties in “NGED South West Area (GSP Group _L)”	69
Annex 1 - Schedule of Charges for use of the Distribution System by LV and HV Properties in “Northern Powergrid (Yorkshire) Area (GSP Group _M)”	72
Annex 2 - Schedule of Charges for use of the Distribution System by EHV Properties (including LDNOs with EHV Properties/end-users) in “Eastern Power Networks Area (GSP Group _A)”	75
Annex 2 - Schedule of Charges for use of the Distribution System by EHV Properties (including LDNOs with EHV Properties/end-users) in “NGED East Midlands Area (GSP Group _B)”	77
Annex 2 - Schedule of Charges for use of the Distribution System by EHV Properties (including LDNOs with EHV Properties/end-users) in “London Power Networks Area (GSP Group _C)”	78
Annex 2 - Schedule of Charges for use of the Distribution System by EHV Properties (including LDNOs with EHV Properties/end-users) in “SP Manweb Area (GSP Group _D)”	79
Annex 2 - Schedule of Charges for use of the Distribution System by EHV Properties (including LDNOs with EHV Properties/end-users) in “NGED West Midlands Area (GSP Group _E)”	80
Annex 2 - Schedule of Charges for use of the Distribution System by EHV Properties (including LDNOs with EHV Properties/end-users) in “Northern Powergrid (Northeast) Area (GSP Group _F)”	81
Annex 2 - Schedule of Charges for use of the Distribution System by EHV Properties (including LDNOs with EHV Properties/end-users) in “Electricity North West Area (GSP Group _G)”	82
Annex 2 - Schedule of Charges for use of the Distribution System by EHV Properties (including LDNOs with EHV Properties/end-users) “South Eastern Power Networks Area (GSP Group _J)”	83

Annex 2 - Schedule of Charges for use of the Distribution System by EHV Properties (including LDNOs with EHV Properties/end-users) in “NGED South Wales Area (GSP Group _K)”	84
Annex 2 - Schedule of Charges for use of the Distribution System by EHV Properties (including LDNOs with EHV Properties/end-users) in “NGED South West Area (GSP Group _L)”	85
Annex 2 - Schedule of Charges for use of the Distribution System by EHV Properties (including LDNOs with EHV Properties/end-users) in “Northern Powergrid (Yorkshire) Area (GSP Group _M)”	86
Annex 3 - Schedule of Charges for use of the Distribution System to Preserved/Additional LLFC Classes in E&W	87
Annex 4 - Charges applied to LDNOs with HV/LV end users in “Eastern Power Networks Area (GSP Group _A)”	88
Annex 4 - Charges applied to LDNOs with HV/LV end users in “NGED East Midlands Area (GSP Group _B)”	95
Annex 4 - Charges applied to LDNOs with HV/LV end users in “London Power Networks Area (GSP Group _C)”	102
Annex 4 - Charges applied to LDNOs with HV/LV end users in “SP Manweb Area (GSP Group _D)”	109
Annex 4 - Charges applied to LDNOs with HV/LV end users in “NGED West Midlands Area (GSP Group _E)”	116
Annex 4 - Charges applied to LDNOs with HV/LV end users in “Northern Powergrid (Northeast) Area (GSP Group _F)”	123
Annex 4 - Charges applied to LDNOs with HV/LV end users in “Electricity North West Area (GSP Group _G)”	130
Annex 4 - Charges applied to LDNOs with HV/LV end users in “South Eastern Power Networks Area (GSP Group _J)”	137
Annex 4 - Charges applied to LDNOs with HV/LV end users in “NGED South Wales Area (GSP Group _K)”	144
Annex 4 - Charges applied to LDNOs with HV/LV end users in “NGED South West Area (GSP Group _L)”	151
Annex 4 - Charges applied to LDNOs with HV/LV end users in “Northern Powergrid (Yorkshire) Area (GSP Group _M)”	158
Annex 5 – Schedule of Line Loss Factors in “Eastern Power Networks Area (GSP Group _A)”	165
LLF time periods:	165
Annex 5 – Schedule of Line Loss Factors in “NGED East Midlands Area (GSP Group _B)”	166
LLF time periods:	166
Annex 5 – Schedule of Line Loss Factors in “London Power Networks Area (GSP Group _C)”	167
LLF time periods:	167
Annex 5 – Schedule of Line Loss Factors in “SP Manweb Area (GSP Group _D)”	168
LLF time periods:	168
Annex 5 – Schedule of Line Loss Factors in “NGED West Midlands Area (GSP Group _E)”	169
LLF time periods:	169
Annex 5 – Schedule of Line Loss Factors in “Northern Powergrid (Northeast) Area (GSP Group _F)”	170
LLF time periods:	170
Annex 5 – Schedule of Line Loss Factors in “Northern Powergrid (Northeast) Area (GSP Group _F)”	171
LLF time periods:	171
Annex 5 – Schedule of Line Loss Factors in “Electricity North West Area (GSP Group _G)”	172
LLF time periods:	172
Annex 5 – Schedule of Line Loss Factors in “South Eastern Power Networks Area (GSP Group _J)”	173
LLF time periods:	173
Annex 5 – Schedule of Line Loss Factors in “NGED South Wales Area (GSP Group _K)”	174

LLF time periods:.....	174
Annex 5 – Schedule of Line Loss Factors in “NGED South West Area (GSP Group _L)”	175
LLF time periods:.....	175
Annex 5 – Schedule of Line Loss Factors in “Northern Powergrid (Yorkshire) Area (GSP Group _M)”	176
Annex 6 – Charges for New or Amended EHV Properties in “Eastern Power Networks Area (GSP Group _A)”	177
Annex 6 – Charges for New or Amended EHV Properties in “NGED East Midlands Area (GSP Group _B)”	178
Annex 6 – Charges for New or Amended EHV Properties in “London Power Networks Area (GSP Group _C)”	179
Annex 6 – Charges for New or Amended EHV Properties in “SP Manweb Area (GSP Group _D)”	180
Annex 6 – Charges for New or Amended EHV Properties in “NGED West Midlands Area (GSP Group _E)”	181
Annex 6 – Charges for New or Amended EHV Properties in “Northern Powergrid (Northeast) Area (GSP Group _F)”	182
Annex 6 – Charges for New or Amended EHV Properties in “Electricity North West Area (GSP Group _G)” ...	183
Annex 6 – Charges for New or Amended EHV Properties in “South Eastern Power Networks Area (GSP Group _J)”	184
Annex 6 – Charges for New or Amended EHV Properties in “NGED South Wales Area (GSP Group _K)”	185
Annex 6 – Charges for New or Amended EHV Properties in “NGED South West Area (GSP Group _L)”	186
Annex 6 – Charges for New or Amended EHV Properties in “Northern Powergrid (Yorkshire) Area (GSP Group _M)”	187
Annex 7 – Supplier of last Resort and Eligible Bad Debt Pass-Through Costs in “Eastern Power Networks Area (GSP Group _A)”	188
Annex 7 – Supplier of last Resort and Eligible Bad Debt Pass-Through Costs in “NGED East Midlands Area (GSP Group _B)”	194
Annex 7 – Supplier of last Resort and Eligible Bad Debt Pass-Through Costs in “London Power Networks Area (GSP Group _C)”	200
Annex 7 – Supplier of last Resort and Eligible Bad Debt Pass-Through Costs in “SP Manweb Area (GSP Group _D)”	206
Annex 7 – Supplier of last Resort and Eligible Bad Debt Pass-Through Costs in “NGED West Midlands Area (GSP Group _E)”	212
Annex 7 – Supplier of last Resort and Eligible Bad Debt Pass-Through Costs in “Northern Powergrid (Northeast) Area (GSP Group _F)”	218
Annex 7 – Supplier of last Resort and Eligible Bad Debt Pass-Through Costs in “Electricity North West Area (GSP Group _G)”	225
Annex 7 – Supplier of last Resort and Eligible Bad Debt Pass-Through Costs in “South Eastern Power Networks Area (GSP Group _J)”	231
Annex 7 – Supplier of last Resort and Eligible Bad Debt Pass-Through Costs in “NGED South Wales Area (GSP Group _K)”	237
Annex 7 – Supplier of last Resort and Eligible Bad Debt Pass-Through Costs in “NGED South West Area (GSP Group _L)”	243
Annex 7 – Supplier of last Resort and Eligible Bad Debt Pass-Through Costs in “Northern Powergrid (Yorkshire) Area (GSP Group _M)”	249

1. Introduction

- 1.1 This statement tells you about our charges and the reasons behind them. It has been prepared consistent with Standard Licence Condition 14 of our Electricity Distribution Licence. The main purpose of this statement is to provide our schedule of charges¹ for the use of our Embedded Networks and to provide the schedule of Line Loss Factors² that should be applied in Settlement to account for distribution losses. We have also included guidance notes in Appendix 2 to help improve your understanding of the charges we apply.
- 1.2 This statement has been prepared in order to discharge Southern Electric Power Distribution plc's ("SEPD") obligation under Standard Licence Condition 14 of our Electricity Distribution Licence. It contains information on our charges and charging principles for use of our Embedded Networks. It also contains information on our Line Loss Factors. To comply with the terms of Clause 19.1 of the DCUSA, this Statement will be provided to Users (as defined in the DCUSA) not later than 20 days prior to implementation of the charges set out in this Statement.
- 1.3 Within this statement we use terms such as 'Users' and 'Customers' as well as other terms which are identified with initial capitalisation. These terms are defined in the Glossary.
- 1.4 This statement reflects the changes which have been introduced as a result of Market Wide Half Hourly Settlement (MHHS³). Although the existing arrangements will continue to apply for Non-Migrated MPANs, the MHHS arrangements will be effective for any MPAN that has Migrated, any differences in treatment are highlighted throughout the document.
- 1.5 We operate Embedded Networks in all other DNO areas in England & Wales (GSP Group ID: _A, _B, _C, _D, _E, _F, _G, _J, _K, _L & _M). The charges for these Embedded Networks are provided in this statement.
- 1.6 The charges applicable to Low Voltage (LV) and High Voltage (HV) Properties and Extra-High Voltage (EHV) Properties in this statement have been set in accordance with the methodology described in SEPD's Use of System Charging Methodology for its Embedded Distribution Networks. The application of charges to a premise can be referenced using the Line Loss Factor Class (LLFC) contained in the charge tables.
- 1.7 Separate charges are calculated depending on the characteristics of the connection and whether the use of the Embedded Networks is for demand or generation purposes. Where a generation connection is seen to support the Distribution System the charges will be negative and the Supplier will receive credits for exported energy.
- 1.8 The application of charges to premises can usually be referenced using the Line Loss Factor Class (LLFC)/DUoS Tariff ID contained in the charge tables. Further information on how to identify and calculate the charge that will apply for your premises is provided in the guidance notes in Appendix 2.
- 1.9 All charges in this statement are shown **exclusive** of VAT. Invoices will include VAT at the applicable rate.
- 1.10 The annexes that form part of this statement are also available in spreadsheet format. This spreadsheet contains supplementary information used for charging purposes but which is not required to be provided in accordance with Standard Licence Condition 14. This spreadsheet can be downloaded from our website www.ssen.co.uk.

Validity period

- 1.11 This charging statement is valid for services provided from the effective date stated on the front of the statement and remains valid until updated by a revised version or superseded by a statement with a later effective date.

¹ Charges can be positive or negative.

² Known as adjustment factors in the Distribution Licence and commonly referred to as Loss Adjustment Factors. The schedule of Line Loss Factors will be provided in a revised statement shortly after the Line Loss Factors for the relevant year have been successfully audited by Elexon.

³ Information relating to the Market wide HH Settlement Programme available from [Home - MHHS Programme](#)

- 1.12 When using this charging statement care should be taken to ensure that the relevant statement or statements covering the period that is of interest are used.
- 1.13 Notice of any revision to the statement will be provided to Users of our Embedded Networks (with the exception of updates to Annex 6; New or Amended EHV Sites which will be published as an addendum). The latest statements can be downloaded from www.ssen.co.uk.

Contact details

- 1.14 If you have any questions about this statement please contact us at the address shown below:

Distribution Pricing Team
Southern Electric Power Distribution plc
Inveralmond House
200 Dunkeld Road
Perth
PH1 3AQ
Email: DistributionPricingTeam@sse.com

- 1.15 All enquiries regarding Connection Agreements, changes to Maximum Capacities, and certification of Non-Final Demand sites should be addressed to:

Email: authorised.capacity@sse.com

Post:
Authorised Capacity
Scottish and Southern Electricity Networks
Daneshill Depot
Faraday Road
Basingstoke
RG24 8QQ

- 1.16 For all other queries please contact our general enquiries telephone number: 0800 048 3516.

2. Charge Application and Definitions

2.1 The following section details how the charges in this statement are applied and billed to Users of our Embedded Networks.

The Supercustomer/Aggregated and site-specific billing approaches

2.2 We utilise two billing approaches depending on the type of metering data received:

- (a) The 'Supercustomer/Aggregated' approach for Customers for whom we receive aggregated consumption data through Settlement; and
- (b) The 'Site-specific' approach for Customers for whom we receive site-specific consumption data through Settlement.

2.3 We receive aggregated consumption data through Settlement for:

Non-Migrated MPANS:

- (a) Domestic and non-domestic Customers for whom Non-Half Hourly (NHH) metering data is used in Settlement (i.e. Customers with MPANs which are registered to Measurement Class A);
- (b) Customers which are unmetered and are not settled as pseudo Half Hourly (HH) metered (i.e. Customers with MPANs which are registered to Measurement Class B);
- (c) Domestic Customers for whom HH metering data is used in Settlement (i.e. Customers with MPANs which are registered to Measurement Class F); and
- (d) Non-domestic Customers for whom HH metering data is used in Settlement and which have whole current (WC) metering (i.e. Customers with MPANs which are registered to Measurement Class G).

Migrated MPANS:

- (e) All Customers who have a Connection Type that indicates a Whole Current connection, i.e. with Connection Type 'W'.

2.4 We receive site specific consumption data through Settlement for:

Non-Migrated MPANS:

- (a) Customers for whom HH metering data is used in Settlement and which have current transformer (CT) metering (i.e. Customers with MPANs which are registered to measurement class C or E); and
- (b) Customers which are unmetered and settled as pseudo HH metered (i.e. Customers with MPANs which are registered to measurement class D).

Migrated MPANS:

- (c) All Customers who have a Connection Type of 'L' Low Voltage, 'H' High Voltage, 'E' Extra-High Voltage or 'U' Unmetered.

Supercustomer/Aggregated Billing and Payment

2.5 The Supercustomer/Aggregated approach makes use of aggregated data obtained from Suppliers using the 'Aggregated Distribution Use of System (DUoS) Report' data flow for Non-Migrated MPANs, and the 'LDSO report for DUoS – aggregated data' message or the 'Embedded Network report for DUoS – aggregated data' message for Migrated MPANs.

2.6 Invoices are calculated on a periodic basis and sent to each User for whom we transport electricity through our Embedded Networks. Invoices are reconciled, over a period of approximately 14 months to reflect later and more accurate consumption figures, this will reduce to 4 months following MHHS implementation.

2.7 The charges are applied on the basis of the LLFC/DUoS Tariff ID assigned to the MPAN, and the units consumed within the time periods specified in Annex 1. All LLFCs/DUoS Tariff IDs are assigned at our sole discretion, based on the tariff application rules set out in the appropriate charging methodology or elsewhere in this statement. Please refer to the section 'Allocation of Charges' if you believe the allocated LLFC/DUoS Tariff ID or tariff is incorrect.

Supercustomer/Aggregated Charges

- 2.8 Supercustomer/Aggregated charges are generally billed through the following components:
- a fixed charge, pence/MPAN/day; there will only be one fixed charge applied to each MPAN; and
 - unit charges, pence/kilowatt-hour (kWh); three unit charges will apply depending on the time of day and the type of tariff for which the MPAN is registered.
- 2.9 Users who wish to supply electricity to Customers for whom we receive aggregated data through Settlement (see paragraph 2.3) will be allocated the relevant charge structure set out in Annex 1.
- 2.10 Identification of the appropriate charge can be made by cross reference to the LLFC/DUoS Tariff ID.
- 2.11 For Non-Migrated MPANs the Valid Settlement Profile Class (PC) /Standard Settlement Class (SSC) / Meter Timeswitch Code (MTC) combinations for LLFCs where the Metering System is Measurement Class A or B are detailed in Market Domain Data (MDD). For Migrated MPANs the appropriate reference data is contained in Industry Standing Data (ISD).
- 2.12 Where an MPAN has an invalid settlement combination, the 'Domestic Aggregated with Residual' fixed and unit charges will be applied as default until the invalid combination is corrected. Where there are multiple SSC/TPR combinations for Non-Migrated MPANs, the default 'Domestic Aggregated with Residual' fixed and unit charges will be applied for each invalid SSC/TPR combination.
- 2.13 The 'Domestic Aggregated (related MPAN)' and 'Non-Domestic Aggregated (related MPAN)' charges are supplementary to their respective primary MPAN charge.

Site-Specific Billing and Payment

- 2.14 The site-specific billing and payment approach makes use of HH metering data at premises level received through Settlement.
- 2.15 Invoices are calculated on a periodic basis and sent to each User for whom we transport electricity through our Embedded Networks. Where an account is based on estimated data, the account shall be subject to any adjustment that may be necessary following the receipt of actual data from the User.
- 2.16 The charges are applied on the basis of the LLFCs/DUoS Tariff IDs assigned to the MPAN or MSID for Central Volume Allocation (CVA) sites), and the units consumed within the time periods specified in this statement.
- 2.17 All LLFCs/DUoS Tariff IDs are assigned at our sole discretion, based on the tariff application rules set out in the appropriate charging methodology or elsewhere in this statement. Please refer to the section 'Allocation of Charges' if you believe the allocated LLFC/DUoS Tariff ID or tariff is incorrect.

Site-Specific Billed Charges

- 2.18 Site-specific billed charges for LV and HV Properties may include the following components:
- a fixed charge in pence/MPAN/day for SVA sites, or pence/MSID/day for CVA sites;
 - a capacity charge in pence/kilovolt-ampere (kVA)/day, for Maximum Import Capacity (MIC) and/or Maximum Export Capacity (MEC);
 - an exceeded capacity charge in pence/kVA/day, if a site exceeds its MIC and/or MEC;
 - three unit charges in pence/kWh, depending on the time of day and the type of tariff for which the MPAN is registered; and
 - a reactive power charge in pence/kilovolt-ampere reactive hour (kVARh), for each unit in excess of the reactive charge threshold.
- 2.19 Site-specific billed charges for properties that are under transitional protection arrangements for BSC Modification P432 or MHHS will include only fixed and unit charges, in the same manner as Supercustomer/Aggregate charges, as described in 2.8.
- 2.20 Users who wish to supply electricity to Customers for whom we receive site-specific data through Settlement (see paragraph 2.4) will be allocated the relevant charge structure dependent upon the voltage and location of the Metering Point.
- 2.21 Fixed charges are generally levied on a pence per MPAN/MSID per day basis.

- 2.22 LV and HV Properties will be charged in accordance with the relevant charge structure set out in Annex 1.
- 2.23 EHV Properties will be charged in accordance with the relevant charge structure set out in Annex 2.
- 2.24 Where LV and HV Properties or EHV Properties have more than one point of connection (as identified in the Connection Agreement) then separate charges will be applied to each point of connection.

Components of Charges

Application of Residual Charges

- 2.25 The following sections explain the application of residual charges.

Final Demand Sites

- 2.26 Residual charges are recovered through fixed charges for all Final Demand Sites. All Non-Final Demand Sites must submit a valid certificate, as described in Section 10, and upon receipt of a valid certificate will be allocated to the relevant No Residual Tariff.
- 2.27 All Back-up Connections must provide clear supporting documentary evidence to the reasonable satisfaction of the LDNO, as described in Section 11, and upon receipt of sufficient evidence will be allocated to the relevant No Residual tariff.

Residual Charging Bands

- 2.28 Residual charges are applied to Final Demand Sites on a banded basis, with all sites in a given charge band receiving the same residual charge. Domestic customers have a single charging band.
- 2.29 There are four non-domestic charging bands for each of the following groups:
- Properties connected at LV, billing with no MIC;
 - Properties connected at LV, billing with MIC;
 - Properties connected at HV; and
 - EHV Properties.
- 2.30 All non-domestic Final Demand customers are allocated into one of the four charging bands, for each relevant charge structure.
- 2.31 The residual charging band boundaries are calculated nationally based upon data from all LDNOs. The method and timing for calculating the residual charging band boundaries and the method and timing for allocating customers into the residual charging bands are set out in Schedule 32 of DCUSA.
- 2.32 The boundaries for the residual bands can be found in the 'Schedule of Charges and Other Tables' spreadsheet on our website, as well as the mapping between the DUoS Tariff name and TNUOS site charging band.

Time Periods

- 2.33 The time periods for the application of unit charges to LV and HV Properties are detailed in Annex 1.
- 2.34 The time periods for the application of unit charges to Unmetered Supply Exit Points are detailed in Annex 1.
- 2.35 The time periods for the application of unit charges to EHV Properties are detailed in Annex 2.

Application of Capacity Charges

- 2.36 The following sections explain the application of capacity charges and exceeded capacity charges.

Chargeable Capacity

- 2.37 The chargeable capacity is, for each billing period, the MIC and/or MEC as detailed below.
- 2.38 The MIC and/or MEC will be agreed with us at the time of connection or pursuant to a later change in requirements. Following such an agreement (be it at the time of connection or later) no reduction in MIC/MEC will be allowed for a 12 month period.
- 2.39 Reductions to the MIC/MEC may only be permitted once in a 12 month period. Where the MIC/MEC is reduced the new lower level will be agreed with reference to the level of the Customer's maximum import and/or export demand respectively. The new MIC/MEC will be applied from the start of the

next billing period after the date that the request was received. It should be noted that where a new lower level is agreed the original capacity may not be available in the future without the need for network reinforcement and associated charges.

- 2.40 In the absence of an agreement, the chargeable capacity, save for error or omission, will be based on the last MIC/MEC previously agreed by us for the relevant premises' connection. A Customer can seek to agree or vary the MIC/MEC by contacting us using the contact details in section 1.

Exceeded Capacity

- 2.41 Where a Customer takes additional unauthorised capacity over and above the MIC/MEC, the excess will be classed as exceeded capacity. The exceeded portion of the capacity will be charged at the exceeded capacity charge p/kVA/day rate, based on the difference between the MIC/MEC and the actual capacity used. This will be charged for the duration of the full month in which the breach occurs.

Demand Exceeded Capacity

$$\text{Demand Exceeded Capacity} = \text{Max}(2 \times \sqrt{\text{AI}^2 + \max(\text{RI}, \text{RE})^2} - \text{MIC}, 0)$$

Where:

AI = Active Import (kWh)

RI = Reactive Import (kVArh)

RE = Reactive Export (kVArh)

MIC = Maximum Import Capacity (kVA)

- 2.42 Only reactive import and reactive export values occurring at times of active import are used in the calculation. Where data for two or more MPANs is aggregated for billing purposes the HH consumption values are summated prior to the calculation above.
- 2.43 This calculation is completed for every half hour and the maximum value from the billing period is applied.

Generation Exceeded Capacity

$$\text{Generation Exceeded Capacity} = \text{Max}(2 \times \sqrt{\text{AE}^2 + \max(\text{RI}, \text{RE})^2} - \text{MEC}, 0)$$

Where:

AE = Active Export (kWh)

RI = Reactive Import (kVArh)

RE = Reactive Export (kVArh)

MEC = Maximum Export Capacity (kVA)

- 2.44 Only reactive import and reactive export values occurring at times of active export are used in the calculation. Where data for two or more MPANs is aggregated for billing purposes the HH consumption values occurring at times of kWh export are summated prior to the calculation above.
- 2.45 This calculation is completed for every half hour and the maximum value from the billing period is applied.

Standby Capacity for Additional Security on Site

- 2.46 Where standby capacity charges are applied, the charge will be set at the same rate as that applied to the normal MIC. Should a Customer's request for additional security of supply require the provision of capacity from two different sources, we reserve the right to charge for the capacity held at each source.

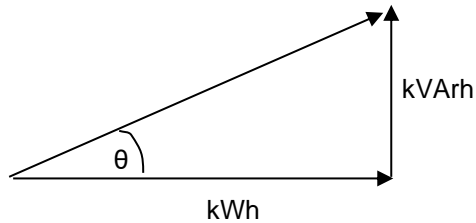
Minimum Capacity Levels

- 2.47 There is no minimum capacity threshold.

Application of charges for reactive power

- 2.48 When an individual HH metered MPAN's reactive power (measured in kVArh) at LV and HV Properties exceeds 33% of its total active power (measured in kWh), reactive power charges will apply. This threshold is equivalent to an average power factor of 0.95 during the period. Any reactive units in excess of the 33% threshold are charged at the rate appropriate to the particular charge.
- 2.49 Power Factor is calculated as follows:

Cos θ = Power Factor



2.50 The chargeable reactive power is calculated as follows:

Demand Chargeable Reactive Power

$$\text{Demand Chargeable kVArh} = \max \left(\max(\text{RI}, \text{RE}) - \left(\sqrt{\left(\frac{1}{0.95^2} - 1 \right)} \times \text{AI} \right), 0 \right)$$

Where:

AI = Active Import (kWh)

RI = Reactive Import (kVArh)

RE = Reactive Export (kVArh)

2.51 Only reactive import and reactive export values occurring at times of active import are used in the calculation. Where data for two or more MPANs is aggregated for billing purposes the HH consumption values are summated prior to the calculation above.

2.52 The square root calculation will be to two decimal places.

2.53 This calculation is completed for every half hour and the values summated over the billing period.

Generation Chargeable Reactive Power

$$\text{Generation Chargeable kVArh} = \max \left(\max(\text{RI}, \text{RE}) - \left(\sqrt{\left(\frac{1}{0.95^2} - 1 \right)} \times \text{AE} \right), 0 \right)$$

Where:

AE = Active Export (kWh)

RI = Reactive Import (kVArh)

RE = Reactive Export (kVArh)

2.54 Only reactive import and reactive export values occurring at times of active export are used in the calculation. Where data for two or more MPANs is aggregated for billing purposes the HH consumption values are summated prior to the calculation above.

2.55 The square root calculation will be to two decimal places.

2.56 This calculation is completed for every half hour and the values summated over the billing period.

Allocation of Charges

2.57 It is our responsibility to apply the correct charges to each MPAN/MSID. The allocation of charges is based on the voltage of connection, import/export details including multiple MPANs, metering information and, for some tariffs, the metering location.

2.58 We are responsible for deciding the voltage of connection. Generally, this is determined by where the metering is located and where responsibility for the electrical equipment transfers from us to the connected Customer.

2.59 We are also responsible for allocating non-domestic customers into their residual charging bands. Allocation into residual charging bands is determined by consumption for customers billed under the Supercustomer/Aggregated approach and for properties that are under transitional protection arrangements for BSC Modification P432 or MHHS, and by the MIC for all other customers billed under the site-specific approach.

2.60 The Supplier determines and provides us with the metering information and data. This enables us to allocate charges where there is more than one charge per voltage level. The metering information and

data is likely to change over time if, for example, a Supplier changes from a two rate meter to a single rate meter. When we are notified this has happened we will change the allocation of charges accordingly.

- 2.61 If it has been identified that a charge has been incorrectly allocated due to the metering information and/or data then a correction request should be made to the Supplier.
- 2.62 Where it has been identified that:
- (a) a charge is likely to be incorrectly allocated due to the voltage of connection, import/export details or metering location, or allocation to residual charging band; or
 - (b) a connection may be eligible for Low Voltage Substation tariff(s);
- a request to investigate the applicable charges should be made to us. Requests from persons other than the Customer or the current Supplier must be accompanied by a Letter of Authority from the Customer and the current Supplier must also acknowledge that they are aware a request has been made. Any request must be supported by an explanation of why it is believed that the current charge should be changed, along with supporting information including, where appropriate, photographs of metering positions or system diagrams. Any request to change the current charge that also includes a request for backdating must include justification as to why it is considered appropriate to backdate the change.
- 2.63 Where a residual charging band allocation cannot be resolved, the process provided within DCUSA Schedule 32 should be followed.
- 2.64 An administration charge (covering our reasonable costs) may be made if a technical assessment or site visit is required, but we will not apply any charge where we agree to the change request.
- 2.65 Where we agree that the current LLFC/DUoS Tariff ID charge should be changed, we will then allocate the appropriate set of charges for the connection. Any adjustment will be applied from the date of the request back to either:
- (a) the date of incorrect allocation in respect of paragraphs 2.61 or 2.62(a); or
 - (b) up to the maximum period specified by the Limitation Act (1980) in England and Wales, which covers a six year period;
- whichever is the shorter.
- 2.66 Any credit or additional charge will be issued to the relevant Supplier(s) effective during the period of the change.
- 2.67 Should we reject the request (as per paragraph 2.62) a justification will be provided to the requesting Party. We shall not unreasonably withhold or delay any decision on a request to change the charges applied and would expect to confirm our position on the request within three months of the date of request.

Generation Charges for Pre-2005 EHV Properties

- 2.68 EHV Properties that were connected to our Embedded Networks under a pre-2005 connection charging policy are eligible for exemption from DUoS charges for generation unless one of the following criteria has been met:
- 25 years have passed since their first energisation/connection date i.e. EHV Properties with Connection Agreements dated prior to 1st April 2005, and for which 25 years has passed since their first energisation/connection date will receive DUoS charges for generation from the next charging year following the expiry of their 25 years exemption starting 1st April, or
 - the person responsible for the EHV Property has provided notice to us that they wish to opt in to DUoS charges for generation.
- If a notice to opt in has been provided there will be no further opportunity to opt out.
- 2.69 Furthermore, if an exempt Customer makes an alteration to its export requirement then the Customer may be liable to be charged for the additional capacity required for energy imported or exported. For example, where a generator increases its export capacity the incremental increase in export capacity will attract DUoS charges as with other non-exempt generators.

Provision of billing data

- 2.70 Where HH metering data is required for DUoS charging and this is not provided in accordance with the BSC or DCUSA, such metering data shall be provided by the User of the system to us in respect of each calendar month within five working days of the end of that calendar month.
- 2.71 The metering data shall identify the amount of energy conveyed across the Metering System in each half hour of each day and shall separately identify active and reactive import and export. Metering data provided to us shall be consistent with that received through the metering equipment installed.
- 2.72 Metering data shall be provided in an electronic format specified by us from time to time and in the absence of such specification, metering data shall be provided in a comma separated text file in the format of data flow D0275⁴ for Non-Migrated MPANs, and the IF-21 message for Migrated MPANs (as agreed with us). The data shall be e-mailed to duos.income.billing@sse.com.
- 2.73 We require details of reactive power imported or exported to be provided for all Measurement Class C and E sites for Non-Migrated MPANs, and for all Migrated MPANs with a connection type of 'L', 'H', or 'E'. It is also required for CVA sites and network boundaries with difference metering. We reserve the right to levy a charge on Users who fail to provide such reactive data. In order to estimate missing reactive data, a power factor of 0.95 lag will be applied to the active consumption in any half hour.

Licensed Distributor Network Operator charges

- 2.74 Licensed Distribution Network Operator (LDNO) charges are applied to LDNOs who operate Embedded Networks.
- 2.75 The charge structure for LV and HV Properties reflects the Host DNO's LV and HV Properties' charges. The relevant charge structures are set out in Annex 4.
- 2.76 Where a NHH metered MPAN has an invalid Settlement combination, the 'LDNO HV: Domestic Aggregated with Residual' fixed and unit charges will be applied as default until the invalid combination is corrected. Where there are multiple SSC/TPR combinations for Non-Migrated MPANs, the default 'LDNO HV: Domestic Aggregated with Residual' fixed and unit charges will be applied for each invalid TPR combination.
- 2.77 The charge structure for EHV Properties connected to Embedded Networks operated by us will be calculated individually and includes the Host DNO's boundary charges. The relevant charge structures are set out in Annex 2.
- 2.78 For Nested Networks the relevant charging principles set out in DCUSA Schedule 21 will apply.

Licence exempt distribution networks

- 2.79 The Electricity and Gas (Internal Market) Regulations 2011⁵ introduced obligations on owners of licence exempt distribution networks (sometimes called private networks) including a duty to facilitate access to electricity and gas Suppliers for Customers within those networks.
- 2.80 When Customers (both domestic and commercial) are located within a licence exempt distribution network and require the ability to choose their own Supplier this is called 'third party access'. These embedded Customers will require an MPAN so that they can have their electricity supplied by a Supplier of their choice.
- 2.81 Licence exempt distribution networks owners can provide third party access using either full settlement metering or the difference metering approach.⁶

Full settlement metering

- 2.82 This is where a licence exempt distribution network is set up so that each embedded installation has an MPAN and Metering System and therefore all Customers purchase electricity from their chosen

⁴ Data Transfer Catalogue available from <https://www.electralink.co.uk/dtc-catalogue>

⁵ The Electricity and Gas (Internal Market) Regulations 2011 available from <http://www.legislation.gov.uk/ukxi/2011/2704/contents/made>

⁶ Elexon's guide is available from <https://www.elexon.co.uk/guidance-note/third-party-access-licence-exempt-distribution-networks/>

Supplier. In this case there are no Settlement Metering Systems at the boundary between our Embedded Network and the licence exempt distribution network.

2.83 In this approach our DUoS charges may be applied to each MPAN.

Difference metering

2.84 This is where one or more, but not all, Customers on a licence exempt distribution network choose their own Supplier for electricity supply to their premises. Under this approach the Customers requiring third party access on the licence exempt distribution network will have their own MPAN and must have a HH Metering System.

Shared metering

2.85 This is where one or more Customers on a license exempt distribution network choose their own Supplier for electricity supply to their premises, and the active import and/or active export meter readings at the boundary are apportioned between the Suppliers. Under this approach, the Customers requiring third party access on the license exempt distribution network will have their own MPAN and must have a HH Metering System.

2.86 In this approach our DUoS charges may be applied to each MPAN.

Gross settlement

2.87 Where one of our MPANs (prefixed by the number 20) is embedded within a licence exempt distribution network connected to our Embedded Network, and difference metering is in place for Settlement purposes and we receive gross measurement data for the boundary MPAN, we will continue to charge the boundary MPAN Supplier for use of our Embedded Network. No charges will be levied by us directly to the Customer or Supplier of the embedded MPAN(s) connected within the licence exempt distribution network.

2.88 We require that gross metered data for the boundary of the connection is provided to us. Until a new industry data flow is introduced for the sending of such gross data, gross metered data shall:

- be provided in a text file in the format of the D0036 or D0275 data flow;
- the text file shall be emailed to duos.income.billing@sse.com;
- the title of the email should also contain the phrase “gross data for difference metered private network” and contain the metering reference specified by us in place of the Settlement MPAN; and
- the text filename shall be formed of the metering reference specified by us followed by a hyphen and followed by a timestamp in the format YYYYMMDDHHMMSS and followed by “.txt”.

2.89 For the avoidance of doubt, the reduced difference metered measurement data for the boundary connection that is to enter Settlement should continue to be sent using the Settlement MPAN.

3. Schedule of Charges for use of our Embedded Networks

- 3.1 Tables listing the charges for use of our Embedded Networks are published in the annexes to this document.
- 3.2 These charges are also listed in a spreadsheet which is published with this statement and can be downloaded from our website www.ssen.co.uk.
- 3.3 Annex 1 contains the charges applied to LV and HV Properties.
- 3.4 Annex 2 contains the charges applied to EHV Properties, which includes charges applied to LDNOs for end user EHV Properties embedded in networks which are connected to our Embedded Networks.
- 3.5 Annex 3 contains details of any preserved and additional charges that are valid at this time. Preserved charges are mapped to an appropriate charge and are closed to new Customers.
- 3.6 Annex 4 contains the charges applied to LDNOs in respect of LV and HV Properties embedded in networks which are connected to our Embedded Networks.

4. Schedule of Line Loss Factors

Role of Line Loss Factors in the Supply of Electricity

- 4.1 Electricity entering or exiting our Embedded Networks is adjusted to take account of energy that is lost⁷ as it is distributed through the networks. This adjustment does not affect distribution charges but is used in energy settlement to take metered consumption to a notional Grid Supply Point so that Suppliers' purchases take account of the energy lost on the Distribution System.
- 4.2 We are responsible for calculating the Line Loss Factors (LLFs) and providing these to Elexon. Elexon is the company that manages the BSC.
- 4.3 LLFs are used to adjust the Metering System volumes to take account of losses on the Distribution System.

Calculation of Line Loss Factors

- 4.4 LLFs are calculated in accordance with BSCP128 which sets out the procedures and principles with which our LLF methodology must comply. It also defines the procedure and timetable by which LLFs are reviewed and submitted.
- 4.5 LLFs are calculated for a set number of time periods during the year, using either a generic or a site specific method. The generic method is used for sites connected at LV or HV and the site specific method is used for sites connected at EHV or where a request for site specific LLFs has been agreed. Generic LLFs will be applied as a default to all new EHV sites until sufficient data is available for a site specific calculation.

Where the usage profile for a given site contains insufficiently large consumption or generation volumes to enable calculation of realistic Site Specific LLFs then a default calculation, or default replacement process shall be undertaken.

A default replacement process shall be deemed to have been undertaken if a generic methodology is used where the following applies:

- (a) A Site has multiple connections to the Total System and the primary connection is at EHV but there is a subordinate connection that is not connected at EHV, then a generic methodology MAY be used for the subordinate connection (even if a Site specific LLF is used for the Site's primary connection); and
- (b) The connection has a capacity of less than or equal to 1MVA

The definition of EHV used for LLF purposes differs from the definition used for defining EHV Properties that is used for charging purposes. The definition used for LLF purposes can be found in our LLF methodology which can be found on the Elexon website⁸.

Publication of Line Loss Factor tables

- 4.6 The LLFs used in Settlement are published on the Elexon Portal website⁹. The website contains the LLFs in standard industry data formats and in a summary form. A user guide with details on registering and using the portal is also available.
- 4.7 BSCP 128 sets out the timetable by which LLFs are submitted and audited. The submission and audit occurs between September and December in the year prior to the LLFs becoming effective. Only after the completion of the audit at the end of December and BSC approval are the final LLFs published.
- 4.8 At the time that this charging statement is first published, Annex 5 will be intentionally left blank, as this statement is published a complete year before the LLFs have been calculated and audited. Once the final BSCP 128 Audit Report has been received, we will issue an updated version of Annex 5 containing the audited LLF values.

⁷ Energy can be lost for technical and non-technical reasons and losses normally occur by heat dissipation through power flowing in conductors and transformers. Losses can also reduce if a Customer's action reduces power flowing in the distribution network. This might happen when a Customer generates electricity and the produced energy is consumed locally.

⁸ The following page has links to BSCP128 and to our LLF methodology: <http://www.elexon.co.uk/reference/technical-operations/losses/>

⁹ The Elexon Portal can be accessed from www.elexonportal.co.uk

4.9 When using the tables in Annex 5, reference should be made to the LLFC allocated to a Non-Migrated MPAN or to the DUoS Tariff ID allocated to a Migrated MPAN to find the appropriate values.

5. Notes for EHV Properties

Charges for EHV Properties

- 5.1 The charges for EHV Properties are based on information available at the time that this statement was published. A new or modified connection will result in changes to current network utilisations which will then form the basis of future prices: the charge determined in this statement will not necessarily be the charge in subsequent years because of the interaction between new and existing network connections and any other changes made to the Embedded Networks or Host DNO systems which may affect the charges.

Charges for New EHV Properties

- 5.2 Charges for any new EHV Properties calculated after publication of the current statement will be published on our website in an addendum to that statement as and when necessary. The addendum will include charge information of the type found in Annex 2, and LLFs as found in Annex 5.
- 5.3 The form of the addendum is detailed in Annex 6 of this statement.
- 5.4 The new EHV Properties' charges will be added to Annex 2 in the next full statement released.

Charges for Amended EHV Properties

- 5.5 Where an existing EHV Property connection is modified and energised in the charging year, we may revise our charges for the modified EHV Property. If revised charges are appropriate, an addendum will be sent to all relevant parties and published as a revised 'Schedule of Charges and Other Tables' spreadsheet on our website www.ssen.co.uk. The modified EHV Property charges will be added to Annex 2 in the next full statement released.

Demand Side Management

- 5.6 New or existing EHV Properties may wish to offer part of their MIC to be interruptible by us (for active network management purposes other than normal planned or unplanned outages) in order to benefit from any reduced DUoS charges.
- 5.7 Several options exist in which we may agree for some or the entire MIC to be interruptible. The applicable demand capacity costs would be based on the MIC minus the capacity subject to interruption.
- 5.8 If you are interested in making part or all of your MIC interruptible as an integral irrevocable feature of a new connection or modification to an existing connection you should in the first instance contact our connections function;
connections@ssen.co.uk
- You must make an express statement in your application that you have an interest in some or all of the import capacity being interruptible for active network management purposes.
- 5.9 If you are proactively interested in voluntarily but revocably offering to make some or all of your existing connection's MIC interruptible you should in the first instance contact us at the address in paragraph 5.8.

6. Electricity Distribution Rebates

- 6.1 We have neither given nor announced any DUoS rebates to Users in the 12 months preceding the date of publication of this version of the statement.

7. Accounting and Administration Services

- 7.1 Other than the charges noted below, no Accounting and Administration charges are detailed within this statement. Please refer to our Statement of Miscellaneous Charges for details of our transactional charges and other notices.
- 7.2 We reserve the right to impose payment default remedies. The remedies are as set out in the DCUSA where applicable or else as detailed in the following paragraph.
- 7.3 If any invoices that are not subject to a valid dispute remain unpaid on the due date, late payment interest (calculated at Base Rate plus 8%) and administration charges may be imposed.
- 7.4 Our administration charges are detailed in the following table. These charges are set at a level which is in line with the Late Payment of Commercial Debts Act;

Size of Unpaid Debt	Late Payment Fee
Up to £999.99	£40.00
£1,000 to £9,999.99	£70.00
£10,000 or more	£100.00

8. Charges for electrical plant provided ancillary to the grant of Use of System

- 8.1 No charges for electrical plant provided ancillary to the grant of Use of System are detailed within this statement. Please refer to our Statement of Miscellaneous Charges for details of transactional charges and other notices.

9. Schedule of fixed adders to recover Supplier of Last Resort and Eligible Bad Debt pass-through costs

Supplier of Last Resort

- 9.1 In accordance with Standard Condition 38B 'Last Resort Supply Payment Claims' ('SLC38B') and Special Condition 6 'Pass-through expenditure' ('SpC6') of our Electricity Distribution Licence, our charges will recover the amount of payments in Regulatory Year t made in response to Last Resort Supply Payment claims.

Eligible Bad Debt

- 9.2 In accordance with SpC6, our charges will recover the amount of use of system bad debt the Authority has consented to be recovered. This represents use of system bad debt our charges are recovering on behalf of Independent Distribution Network Operators (IDNOs), in accordance with Standard Licence Condition 38C 'Treatment of Valid Bad Debt Claims' ('SLC38C'), and specifically paragraph 4 of that condition.

Tables of Fixed Adders

- 9.3 Tables listing the charges to recover Supplier of Last Resort and Eligible Bad Debt pass-through costs are published in Annex 7 to this document. The charges are shown for information only and are already included in the final Annex 1 charges.

10. Non-Final Demand Sites

Charges for Non-Final Demand Sites

- 10.1 A Non-Final Demand Site is charged an import tariff that excludes the residual cost element of charges. If the User wishes for a property to qualify for allocation to these tariffs, then the User must submit certification declaring that the property meets the required criteria as per DCUSA.

Process for submitting certification

- 10.2 This certification should take the form as set out in Appendix 3 and be submitted to Authorised Capacity using the contact details in 1.14.

We may, at our discretion, request a signed paper certificate from the User, in place of electronic. If requested, paper certification should be posted to the contact details in 1.14.

- 10.3 Users should undertake reasonable endeavours to ensure the facts attested to in the certification are true. We may request documentation evidencing these endeavours, including where appropriate, photographs of metering positions or system diagrams, following receipt of the certification.
- 10.4 If we determine that the documentation provided does not sufficiently evidence the undertaking of reasonable endeavours, does not support the facts attested to in the certification, or if no documentation is received, we may at our discretion reject the certification as invalid. If the certification is rejected as invalid, then the property will not qualify as a Non-Final Demand Site.

Application of charges for Non-Final Demand Site

- 10.5 A property will only be deemed to qualify as a Non-Final Demand Site, and be allocated charges as such, from the date on which we receive valid certification.
- 10.6 If a property that has previously been certified as a Non-Final Demand Site no longer satisfies the criteria as per DCUSA, then the User must inform us immediately.
- 10.7 For a property that has been previously certified as a Non-Final Demand Site, we will continue to apply the relevant no residual import tariff without the requirement for further certification, except in any one of the following circumstances:
- (a) Where we have reason to believe that the property no longer qualifies as a Non-Final Demand Site; or,
 - (b) Significant time has passed since the certification was submitted; or,
 - (c) Where there is a change to the connection characteristics i.e. capacity change.

If such circumstances occur, we may request re-certification of the site, or reject the certification as invalid at our discretion.

- 10.8 When a property no longer meets the required criteria to qualify as a Non-Final Demand Site, we will change the allocation of charges accordingly from that point.
- 10.9 Please refer to the section 'Allocation of Charges' if you believe the property has been incorrectly not allocated charges as a Non-Final Demand Site.

11. Back-up Connections

Charges for Back-up Connections

- 11.1. A Back-up Connection is charged an import tariff that excludes the residual cost element of charges. If the User wishes for a MPAN/MSID to qualify for allocation to these tariffs, then the User must provide evidence necessary to satisfy the definition of Back-up Connection as per DCUSA.

Process for providing evidence

- 11.2. Users should undertake reasonable endeavours to ensure the facts attested to in the request are true. We may request documentation evidencing these endeavours, including where appropriate, photographs of metering positions or system diagrams.
- 11.3. If we determine that the documentation provided does not sufficiently evidence the undertaking of reasonable endeavours, does not support the facts attested to in the request, or if no documentation is received, we may at our discretion reject the evidence as invalid. If the evidence is rejected as invalid, then the property will not qualify as a Back-up Connection.

Application of charges for Back-up Connections

- 11.4. A MPAN/MSID will only be deemed to qualify as a Back-up Connection, and be allocated charges as such, from the first of the month following the date on which we receive valid evidence.
- 11.5. If a MPAN/MSID that has previously been appointed as a Back-up Connection no longer satisfies the criteria as per DCUSA, then the User must inform us immediately.
- 11.6. For a MPAN/MSID that has been previously certified as a Back-up Connection, we will continue to apply the relevant no residual import tariff without the requirement for further certification, except in any one of the following circumstances:
- (a) Where we have reason to believe that the MPAN/MSID no longer qualifies as a Back-up Connection; or
 - (b) Significant time has passed since the evidence was submitted; or
 - (c) Where there is a change to the connection characteristics i.e. capacity change.

If such circumstances occur, we may request evidence to be provided again for the site, or reject the evidence as invalid at our discretion.

- 11.7. When a MPAN/MSID no longer meets the required criteria to qualify as a Back-up Connection, we will change the allocation of charges accordingly from that point.
- 11.8. Please refer to the section 'Allocation of Charges' if you believe the MPAN/MSID has been incorrectly not allocated charges as a Back-up Connection.

Appendix 1 – Glossary

1.1. The following definitions, which can extend to grammatical variations and cognate expressions, are included to aid understanding:

Term	Definition
Back-up Connection	As defined in DCUSA Schedule 32.
Balancing and Settlement Code (BSC)	The BSC contains the governance arrangements for electricity balancing and settlement in Great Britain. An overview document is available from https://www.elexon.co.uk/bsc-and-codes/balancing-settlement-code/
Balancing and Settlement Code Procedure (BSCP)	A document of that title, as established or adopted and from time to time modified by the Panel in accordance with The Code, setting out procedures to be complied with (by Parties, Party Agents, BSC Agents, BSCCo, the Panel and others) in, and other matters relating to, the implementation of The Code;
Connection Agreement	An agreement between an LDNO and a Customer which provides that the Customer has the right for its connected installation to be and remain directly or indirectly connected to that LDNO's Distribution System.
Connection Type	Defines the physical connection as one of four valid types for metered supplies: 'W' Whole Current; 'L' Low Voltage (LV) Current Transformer; 'H' High Voltage (HV) Current Transformer; or 'E' Extra High Voltage (EHV) Current Transformer (E). It will also include a value of 'U' for unmetered connections.
Central Volume Allocation (CVA)	As defined in the BSC.
Customer	A person to whom a User proposes to supply, or for the time being supplies, electricity through an exit point, or from whom, a User or any relevant exempt Supplier, is entitled to recover charges, compensation or an account of profits in respect of electricity supplied through an exit point; or A person from whom a User purchases, or proposes to purchase, electricity, at an entry point (who may from time to time be supplied with electricity as a Customer of that User (or another electricity Supplier) through an exit point).
Distribution Connection and Use of System Agreement (DCUSA)	The DCUSA is a multi-party contract between the licensed electricity distributors, suppliers, generators and Offshore Transmission Owners of Great Britain. It is a requirement that all licensed electricity distributors and suppliers become parties to the DCUSA.

Term	Definition																																																																																							
Distributor IDs	<p>These are unique IDs that can be used, with reference to the MPAN, to identify your LDNO. The charges for other network operators can be found on their website.</p>																																																																																							
	<table border="1"> <thead> <tr> <th data-bbox="502 344 571 376">ID</th> <th data-bbox="571 344 928 376">Distribution Service Area</th> <th data-bbox="928 344 1375 376">Company</th> </tr> </thead> <tbody> <tr><td>10</td><td>East of England</td><td>UK Power Networks</td></tr> <tr><td>11</td><td>East Midlands</td><td>Western Power Distribution</td></tr> <tr><td>12</td><td>London</td><td>UK Power Networks</td></tr> <tr><td>13</td><td>Merseyside and North Wales</td><td>Scottish Power</td></tr> <tr><td>14</td><td>Midlands</td><td>Western Power Distribution</td></tr> <tr><td>15</td><td>Northern</td><td>Northern Powergrid</td></tr> <tr><td>16</td><td>North Western</td><td>Electricity North West</td></tr> <tr><td>17</td><td>Scottish Hydro Electric (and embedded networks in other areas)</td><td>Scottish Hydro Electric Power Distribution plc</td></tr> <tr><td>18</td><td>South Scotland</td><td>Scottish Power</td></tr> <tr><td>19</td><td>South East England</td><td>UK Power Networks</td></tr> <tr><td>20</td><td>Southern Electric (and embedded networks in other areas)</td><td>Southern Electric Power Distribution plc</td></tr> <tr><td>21</td><td>South Wales</td><td>Western Power Distribution</td></tr> <tr><td>22</td><td>South Western</td><td>Western Power Distribution</td></tr> <tr><td>23</td><td>Yorkshire</td><td>Northern Powergrid</td></tr> <tr><td>24</td><td>All</td><td>Independent Power Networks</td></tr> <tr><td>25</td><td>All</td><td>ESP Electricity</td></tr> <tr><td>26</td><td>All</td><td>Last Mile Electricity Ltd</td></tr> <tr><td>27</td><td>All</td><td>The Electricity Network Company Ltd</td></tr> <tr><td>29</td><td>All</td><td>Harlaxton Energy Networks</td></tr> <tr><td>30</td><td>All</td><td>Peel Electricity Networks Ltd</td></tr> <tr><td>31</td><td>All</td><td>UK Power Distribution Ltd</td></tr> <tr><td>32</td><td>All</td><td>Energy Assets Networks Limited</td></tr> <tr><td>33</td><td>All</td><td>Eclipse Power Networks Ltd</td></tr> <tr><td>34</td><td>All</td><td>Murphy Power Distribution Ltd</td></tr> <tr><td>35</td><td>All</td><td>Fulcrum Electricity Assets Ltd</td></tr> <tr><td>36</td><td>All</td><td>Vattenfall Networks Ltd</td></tr> <tr><td>37</td><td>All</td><td>Optimal Power Networks Limited - Reading</td></tr> <tr><td>38</td><td>All</td><td>Indigo Power Limited</td></tr> </tbody> </table>	ID	Distribution Service Area	Company	10	East of England	UK Power Networks	11	East Midlands	Western Power Distribution	12	London	UK Power Networks	13	Merseyside and North Wales	Scottish Power	14	Midlands	Western Power Distribution	15	Northern	Northern Powergrid	16	North Western	Electricity North West	17	Scottish Hydro Electric (and embedded networks in other areas)	Scottish Hydro Electric Power Distribution plc	18	South Scotland	Scottish Power	19	South East England	UK Power Networks	20	Southern Electric (and embedded networks in other areas)	Southern Electric Power Distribution plc	21	South Wales	Western Power Distribution	22	South Western	Western Power Distribution	23	Yorkshire	Northern Powergrid	24	All	Independent Power Networks	25	All	ESP Electricity	26	All	Last Mile Electricity Ltd	27	All	The Electricity Network Company Ltd	29	All	Harlaxton Energy Networks	30	All	Peel Electricity Networks Ltd	31	All	UK Power Distribution Ltd	32	All	Energy Assets Networks Limited	33	All	Eclipse Power Networks Ltd	34	All	Murphy Power Distribution Ltd	35	All	Fulcrum Electricity Assets Ltd	36	All	Vattenfall Networks Ltd	37	All	Optimal Power Networks Limited - Reading	38	All	Indigo Power Limited
	ID	Distribution Service Area	Company																																																																																					
	10	East of England	UK Power Networks																																																																																					
	11	East Midlands	Western Power Distribution																																																																																					
	12	London	UK Power Networks																																																																																					
	13	Merseyside and North Wales	Scottish Power																																																																																					
	14	Midlands	Western Power Distribution																																																																																					
	15	Northern	Northern Powergrid																																																																																					
	16	North Western	Electricity North West																																																																																					
	17	Scottish Hydro Electric (and embedded networks in other areas)	Scottish Hydro Electric Power Distribution plc																																																																																					
	18	South Scotland	Scottish Power																																																																																					
	19	South East England	UK Power Networks																																																																																					
	20	Southern Electric (and embedded networks in other areas)	Southern Electric Power Distribution plc																																																																																					
	21	South Wales	Western Power Distribution																																																																																					
	22	South Western	Western Power Distribution																																																																																					
	23	Yorkshire	Northern Powergrid																																																																																					
	24	All	Independent Power Networks																																																																																					
	25	All	ESP Electricity																																																																																					
	26	All	Last Mile Electricity Ltd																																																																																					
	27	All	The Electricity Network Company Ltd																																																																																					
	29	All	Harlaxton Energy Networks																																																																																					
	30	All	Peel Electricity Networks Ltd																																																																																					
	31	All	UK Power Distribution Ltd																																																																																					
	32	All	Energy Assets Networks Limited																																																																																					
	33	All	Eclipse Power Networks Ltd																																																																																					
	34	All	Murphy Power Distribution Ltd																																																																																					
	35	All	Fulcrum Electricity Assets Ltd																																																																																					
	36	All	Vattenfall Networks Ltd																																																																																					
	37	All	Optimal Power Networks Limited - Reading																																																																																					
	38	All	Indigo Power Limited																																																																																					
	Distribution Network Operator (DNO)	An electricity distributor that operates one of the 14 distribution services areas and in whose Electricity Distribution Licence the requirements of Section B of the standard conditions of that licence have effect.																																																																																						
	Distribution Services Area	The area specified by the Gas and Electricity Markets Authority within which each DNO must provide specified distribution services.																																																																																						

Term	Definition
Distribution System	<p>The system consisting (wholly or mainly) of electric lines owned or operated by an authorised distributor that is used for the distribution of electricity from:</p> <ul style="list-style-type: none"> • Grid Supply Points or generation sets or other entry points <p>to the points of delivery to:</p> <ul style="list-style-type: none"> • Customers or Users or any transmission licensee in its capacity as operator of that licensee's transmission system or the Great Britain (GB) transmission system and includes any remote transmission assets (owned by a transmission licensee within England and Wales) <p>that are operated by that authorised distributor and any electrical plant, electricity meters, and metering equipment owned or operated by it in connection with the distribution of electricity, but does not include any part of the GB transmission system.</p>
DUoS Tariff ID	An identifier assigned to an SVA metering system which is used to assign the use of system charges for Migrated MPANs
EHV Properties	Demand users and/or distributed generators metered at 22,000 volts or above, or metered at an EHV/HV substation.
Electricity Distribution Licence	The Electricity Distribution Licence granted or treated as granted pursuant to section 6(1) of the Electricity Act 1989.
Electricity Distributor	Any person who is authorised by an Electricity Distribution Licence to distribute electricity.
Embedded Network	An electricity Distribution System operated by an LDNO and embedded within another Distribution System.
Embedded Network report for DUoS – aggregated data	A report of data by IDNO's DUoS Tariff ID and by IDNO providing counts of MPANs and units consumed
Engineering Recommendation P2/7	A document of the Energy Networks Association, which defines minimum planning standards for security of supply and is referred to in Standard Licence Condition 24 of our Electricity Distribution Licence.
Entry Point	A boundary point at which electricity is exported onto a Distribution System from a connected installation or from another Distribution System, not forming part of the total system (boundary point and total system having the meaning given to those terms in the BSC).
Exit Point	A point of connection at which a supply of electricity may flow from the Distribution System to the Customer's installation or User's installation or the Distribution System of another person.
Extra-High Voltage (EHV)	Nominal voltages of 22kV and above.
Final Demand Site	As defined in DCUSA Schedule 32
Gas and Electricity Markets Authority (GEMA)	As established by the Utilities Act 2000.

Term	Definition
Grid Supply Point (GSP)	A metered connection between the National Grid Electricity Transmission system and the licensee's Distribution System at which electricity flows to or from the Distribution System.
GSP group	A distinct electrical system that is supplied from one or more GSPs for which total supply into the GSP group can be determined for each half hour.
High Voltage (HV)	Nominal voltages of at least 1kV and less than 22kV.
HV and LV Properties	Demand users and/or distributed generators metered below 22,000 volts.
Industry Standing Data (ISD)	Industry Standing Data (ISD) is the reference data used in Settlement processes under MHHS.
Intermittent Generation	Defined in DCUSA Schedule 16 as a generation plant where the energy source of the prime mover can not be made available on demand, in accordance to the definitions in Engineering Recommendation P2/7.
Invalid Settlement Combination	A Settlement combination that is not recognised as a valid combination in market domain data - see https://www.elexonportal.co.uk/MDDVIEWER .
kVA	Kilovolt ampere.
kVArh	Kilovolt ampere reactive hour.
kW	Kilowatt.
kWh	Kilowatt hour (equivalent to one "unit" of electricity).
LDSO report for DUoS – aggregated data	A report of data by DUoS Tariff ID and Supplier providing counts of MPANs and units consumed
Licensed Distribution Network Operator (LDNO)	The holder of a Licence to distribute electricity.
Line Loss Factor (LLF)	The factor that is used in Settlement to adjust the metering system volumes to take account of losses on the Distribution System for Non-Migrated MPANs.
Line Loss Factor Class (LLFC)	An identifier assigned to an SVA metering system which is used to assign the LLF and use of system charges.
Load Factor	$= \frac{\text{annual consumption (kWh)}}{\text{maximum demand (kW)} \times \text{hours in year}}$
Low Voltage (LV)	Nominal voltages below 1kV.
LV Substation Tariff	This tariff applies as described in DCUSA Schedule 16 Section 141, Note 3, where the metering CT is within, or abutting to the HV/LV substation transformation chamber.
Market Domain Data (MDD)	MDD is a central repository of reference data available to all Users involved in Settlement. It is essential to the operation of SVA trading arrangements. More information can be found here Market Domain Data - Elexon BSC .

Term	Definition
Market Segment	<p>Market Segment is derived from the Meter Type and Connection Type using a defined set of business rules.</p> <p>There are three Market Segments:</p> <ul style="list-style-type: none"> Smart and Non-Smart (Including Smart Meters with Settlement Period level data available, Smart Meters with only Register Readings available and Non-Smart Meters with Register Readings); Advanced (which are Advanced Metering Systems with Settlement Period level data available); Unmetered
Market-Wide HH Settlement (MHHS)	Market-wide Half-Hourly Settlement (MHHS) is a key enabler of the flexibility to support the transition to Net Zero. The MHHS Programme will contribute to a more cost-effective electricity system, encouraging more flexible use of energy and helping consumers lower their bills.
Maximum Export Capacity (MEC)	The MEC of apparent power expressed in kVA that has been agreed can flow through the entry point to the Distribution System from the Customer's installation as specified in the connection agreement.
Maximum Import Capacity (MIC)	The MIC of apparent power expressed in kVA that has been agreed can flow through the exit point from the Distribution System to the Customer's installation as specified in the connection agreement.
Measurement Class	<p>A classification of Metering Systems used in the BSC which indicates how consumption is measured, i.e.:</p> <ul style="list-style-type: none"> • Measurement Class A – non-half-hourly metering equipment; • Measurement Class B – non-half-hourly unmetered supplies; • Measurement Class C – half-hourly metering equipment at or above 100kW premises; • Measurement Class D – half-hourly unmetered supplies; • Measurement Class E – half-hourly metering equipment below 100kW premises, and from 5 November 2015, with current transformer; • Measurement Class F – half hourly metering equipment at below 100kW premises with current transformer or whole current, and at domestic premises; and • Measurement Class G – half hourly metering equipment at below 100kW premises with whole current and not at domestic premises.
Meter Timeswitch Code (MTC)	MTCs are three digit codes allowing Suppliers to identify the metering installed in Customers' premises. They indicate whether the meter is single or multi-rate, pre-payment or credit, or whether it is 'related' to another meter. Further information can be found in MDD.
Metering Point	The point at which electricity that is exported to or imported from the licensee's Distribution System is measured, is deemed to be measured, or is intended to be measured and which is registered pursuant to the provisions of the REC. For the purposes of this statement, GSPs are not 'Metering Points'.
Metering Point Administration Number (MPAN)	A number relating to a Metering Point under the REC.

Term	Definition
Metering System	Particular commissioned metering equipment installed for the purposes of measuring the quantities of exports and/or imports at the exit point or entry point.
Metering System Identifier (MSID)	MSID is a term used throughout the BSC and its subsidiary documents and has the same meaning as MPAN as used under the REC.
Migrated MPANs	Migration refers to the process by which MPANs are migrated from the legacy arrangements to the new MHHS arrangements.
Nested Networks	This refers to a situation where there is more than one level of Embedded Network and therefore nested Distribution Systems between LDNOs (e.g. host DNO→primary nested DNO→ secondary nested DNO→Customer).
Non-Final Demand Site	As defined in DCUSA Schedule 32
Non-Intermittent Generation	Defined in DCUSA Schedule 16 as a generation plant where the energy source of the prime mover can be made available on demand, in accordance with the definitions in Engineering Recommendation P2/7.
Non-Migrated MPANs	This refers to the status when an MPAN is on the legacy arrangements and before migrating under MHHS.
Ofgem	Office of Gas and Electricity Markets – Ofgem is governed by GEMA and is responsible for the regulation of the distribution companies.
Profile Class (PC)	A categorisation applied to NHH MPANs and used in settlement to group Customers with similar consumption patterns to enable the calculation of consumption profiles.
Retail Energy Code (REC)	A code that consolidates the switching arrangements historically set out in the Master Registration Agreement (MRA) and the Supply Point Administration Agreement (SPAA) (for gas) into one dual-fuel code. Provides a governance mechanism to manage the processes established between electricity suppliers and distribution companies to enable electricity suppliers to transfer customers. It includes terms for the provision of Metering Point Administration Services (MPAS) Registrations.
Settlement	The determination and settlement of amounts payable in respect of charges (including reconciling charges) in accordance with the BSC.
Settlement Class (SC)	The combination of Profile Class, Line Loss Factor Class, Time Pattern Regime and Standard Settlement Configuration, by Supplier within a GSP group and used for Settlement.
Standard Settlement Configuration (SSC)	A standard metering configuration relating to a specific combination of Time Pattern Regimes.
Supercustomer	The method of billing Users for use of system on an aggregated basis, grouping together consumption and standing charges for all similar NHH metered Customers or aggregated HH metered Customers. Also referred to as Aggregate Billing.
Supercustomer DUoS Report	A report of profiled data by Settlement Class providing counts of MPANs and units consumed.

Term	Definition
Supplier	An organisation with a supply licence responsible for electricity supplied to and/or exported from a Metering Point.
Supplier Volume Allocation (SVA)	As defined in the BSC.
Time Pattern Regime (TPR)	The pattern of switching behaviour through time that one or more meter registers follow.
Unmetered Supplies	Exit points deemed to be suitable as unmetered supplies as permitted in the Electricity (Unmetered Supply) Regulations 2001 and where operated in accordance with BSC procedure 520.10.
Use of System Charges	Charges which are applicable to those parties which use the Distribution System.
User	Someone that has a use of system agreement with the LDNO e.g. a Supplier, generator or other LDNO.

¹⁰ Balancing and Settlement Code Procedures are available from <http://www.elexon.co.uk/pages/bscps.aspx>

Appendix 2 - Guidance notes¹¹

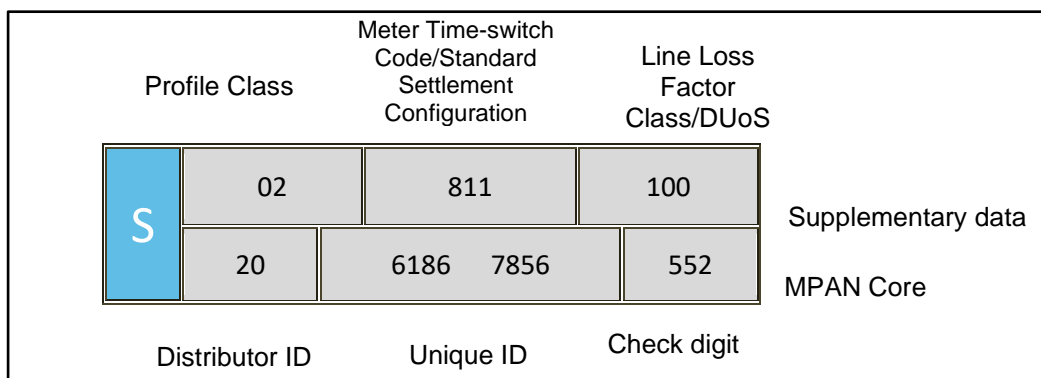
Background

- 1.1. The electricity bill from your Supplier contains an element of charge to cover electricity distribution costs. This distribution charge covers the cost of operating and maintaining a safe and reliable Distribution System that forms the 'wires' that transport electricity between the national transmission system and end users such as homes and businesses. Our Distribution System includes overhead lines, underground cables, as well as substations and transformers.
- 1.2. In most cases, your Supplier is invoiced for the distribution charge and this is normally part of your total bill. In some cases, for example business users, the Supplier may pass through the distribution charge as an identifiable line item on the electricity bill.
- 1.3. Where electricity is generated at a premises your Supplier may receive a credit for energy that is exported on to the Distribution System. These credits are intended to reflect that the exported generation may reduce the need for traditional demand led reinforcement of the Distribution System.
- 1.4. Understanding your distribution charges could help you reduce your costs and increase your credits. This is achieved by understanding the components of the charge to help you identify whether there may be opportunities to change the way you use the Distribution System.

Meter point administration

- 1.5. We are responsible for managing the electricity supply points that are connected to our Distribution System. Typically every supply point is identified by a Meter Point Administration Number (MPAN). A few supply points may have more than one MPAN depending on the metering configuration (e.g. a school which may have an MPAN for the main supply and an MPAN for catering).
- 1.6. The full MPAN is a 21 digit number, preceded by an 'S' and includes supplementary data. The MPAN applicable to a supply point is found on the electricity bill from your Supplier. This number enables you to establish who your electricity distributor is, details of the characteristics of the supply and importantly the distribution charges that are applicable to your premises.
- 1.7. The 21-digit number is normally presented in two sections as shown in the following diagram. The top section is supplementary data which gives information about the characteristics of supply, while the bottom 'core' is the unique identifier.

Full MPAN diagram



- 1.8. Generally, you will only need to know the Distributor ID and LLFC/DUoS Tariff ID to identify the distribution charges for your premises. However, there are some premises where charges are

¹¹ These guidance notes are provided for additional information and do not form part of the application of charges.

- specific to that site. In these instances the charges are identified by the core MPAN. The Distributor ID for SEPD is 20. Other Distributor IDs can be referenced in the Glossary.
- 1.9. Additionally, it can be useful to understand the profile class provided in the supplementary data. The profile class will be a number between 00 and 08. The following list provides details of the allocation of profile classes to types of Customers:
- '01' – Domestic Customers with unrestricted supply
 - '02' – Domestic Customers with restricted load, for example off-peak heating
 - '03' – Non-domestic Customers with unrestricted supply
 - '04' – Non-domestic Customers with restricted load, for example off-peak heating
 - '05' – Non-domestic maximum demand Customers with a Load Factor of less than 20%
 - '06' – Non-domestic maximum demand Customers with a Load Factor between 20% and 30%
 - '07' – Non-domestic maximum demand Customers with a Load Factor between 30% and 40%
 - '08' – Non-domestic maximum demand Customers with a Load Factor over 40% or non-half-hourly metered generation Customers
 - '00' – Half-hourly metered demand and generation Customers (including all Migrated MPANs)
- 1.10. Unmetered Supplies will be allocated to profile class 01, 08 or 00 depending on the type of load or the measurement method of the load.
- 1.11. The allocation of the profile class will affect your charges for Non-Migrated MPANs. If you feel that you have been allocated the wrong profile class, please contact your Supplier as they are responsible for this.

Your charges

- 1.12. All distribution charges that relate to our Distributor ID 20 and to premises connected to our Embedded Networks are provided in this statement.
- 1.13. You can identify your charges by referencing your LLFC/DUoS Tariff ID, from Annex 1. If the MPAN is for an EHV Property then the charges will be found in Annex 2. In a few instances, the charges may be contained in Annex 3 or Annex 6. When identifying charges in Annex 2, please note that some LLFCs/DUoS Tariff IDs have more than one charge. In this instance you will need to select the correct charge by cross referencing with the MPAN core provided in the table.
- 1.14. Once you have identified which charge structure applies to your MPAN then you will be able to calculate an estimate of your distribution charge using the calculator provided in the spreadsheet 'Schedule of Charges and Other Tables' found in the sheet called 'Charge Calculator'. This spreadsheet can be downloaded from www.ssen.co.uk.

Reducing your charges

- 1.15. The most effective way to reduce your energy charges is to reduce your consumption by switching off or using more energy efficient appliances. However, there are also other potential opportunities to reduce your distribution charges; for example, it may be beneficial to shift demand or generation to a better time period. Demand use is likely to be cheaper outside the peak periods and generation credits more beneficial during peak periods, although the ability to directly benefit will be linked to the structure of your supply charges.
- 1.16. The calculator mentioned above provides the opportunity to establish a forecast of the change in distribution charges that could be achieved if you are able to change any of the consumption related inputs.

Reactive power and reactive power charges

- 1.17. Reactive power is a separately charged component of connections that are half-hourly metered. Reactive power charges are generally avoidable if 'best practice' design of the properties' electrical installation has been provided in order to maintain a power factor between 0.95 and unity at the Metering Point.

- 1.18. Reactive Power (kVA_r) is the difference between working power (active power measured in kW) and total power consumed (apparent power measured in kVA). Essentially it is a measure of how efficiently electrical power is transported through an electrical installation or a Distribution System.
- 1.19. Power flowing with a power factor of unity results in the most efficient loading of the Distribution System. Power flowing with a power factor of less than 0.95 results in much higher losses in the Distribution System, a need to potentially provide higher capacity electrical equipment and consequently a higher bill for you the consumer. A comparatively small improvement in power factor can bring about a significant reduction in losses since losses are proportional to the square of the current.
- 1.20. Different types of electrical equipment require some 'reactive power' in addition to 'active power' in order to work effectively. Electric motors, transformers and fluorescent lighting, for example, may produce poor power factors due to the nature of their inductive load. However, if good design practice is applied then the poor power factor of appliances can be corrected as near as possible to source. Alternatively poor power factor can be corrected centrally near to the meter.
- 1.21. There are many advantages that can be achieved by correcting poor power factor. These include: reduced energy bills through lower reactive charges, lower capacity charges and reduced power consumption and reduced voltage drop in long cable runs.

Site-specific charges

- 1.22. A site classified as an EHV Property is subject to a locational-based charging methodology for higher voltage network users. The site-specific charges will apply to Customers connected at Extra High Voltage or connected at High Voltage and metered at a high voltage substation.
- 1.23. The site-specific charges reflect the degree to which the local and higher voltage networks have the capacity to serve more demand without the need to upgrade the electricity infrastructure. The conditions for eligibility of generators for credits are specified in the applicable charging methodology. Generators that benefit from an exemption from UoS charges for generation, or that are intermittent in accordance to the definitions in Engineering Recommendation P2/7 and that cannot maintain production for a continuous period of several weeks, are unlikely to be eligible for EHV credits. In any event, eligibility for EHV credits depends on a site-specific assessment of whether the generation can be considered to have a contribution to security of supply under Engineering Recommendation P2/7.
- 1.24. The site-specific charges comprise of the following individual components:
 - a) **Fixed charge (pence/MPAN/day)** - This charge recovers operational costs associated with those connection assets that are provided for the 'sole' use of the Customer and a residual amount to ensure recovery of our regulated allowed revenue.
 - b) **Capacity charge (pence/kVA/day)** - This charge comprises of the relevant locational cost component assessed by the Host DNO relevant for the Customer's connection, the National Grid Electricity Transmission cost and other business costs.

Capacity charges are levied on the MIC, MEC, and any exceeded capacity. You may wish to review your MIC or MEC periodically to ensure it remains appropriate for your needs as you may be paying for more capacity than you require. If you wish to make changes contact us via the details in paragraph 1.14.
 - c) **Super-red unit charge (pence/kWh)** - This charge recovers the relevant locational cost component assessed by the Host DNO relevant for the Customer's connection. The charge is zero or positive for import and zero or negative for export which means you can either reduce your charges by minimising consumption or increasing export at those times. The charge is applied to consumption during the Super-red time period as detailed in Annex 2.
- 1.25. Future charge rates may be affected by consumption during the Super-red time period, therefore reducing consumption in the Super-red time period may be beneficial.
- 1.26. **Reactive Power** – The site-specific charges does not include a separate charge component for any reactive power flows (kVA_r) for either demand or generation. However, the charges do reflect the effect on the network of the Customer's power factor, for example, unit charges can increase if your site power factor is poor (lower than 0.95). Improving your site's power factor will also reduce

the maximum demand (kVA) for the same power consumed in kW thus providing scope to reduce your agreed capacity requirements.

Additional Notes

Domestic Aggregated (related MPAN) and Non-Domestic Aggregated (related MPAN) are supplementary, off-peak, tariffs to their standard, Domestic Aggregated and Non-Domestic Aggregated tariffs, respectively. Related MPAN, off-peak, terms are only available to Metering Points that are already on such terms and where:

- a) the Customer retains the original off-peak equipment and the circuits from which the off-peak supply is taken are separated from all other circuits;
- b) the function of the off-peak equipment is not duplicated by other equipment connected to the other circuits; and
- c) “off-peak equipment” means appliances such as thermal storage heaters, storage water heaters or other equipment as agreed by us

Generally, Domestic DUoS tariffs are available only to premises:

- a) used exclusively as a single private residence; or
- b) comprising more than one private residence where the estimated maximum demand of the supply does not exceed 25 kW

Appendix 3 – Non-Final Demand Site Certificate

A certificate set out in the form of the example shown below should be submitted to confirm that a site qualifies as a Non-Final Demand Site.

Non-Final Demand Site Certificate of Compliance

This is to certify that the Metering System listed below qualifies as compliant with the criteria of a Non-Final Demand Site, for the purposes of Use of System charges, and that:

The property is a Single Site at which either or both Electricity Storage and/or Electricity Generation occurs (whether the facility(ies) at the site are operating or being commissioned, repaired, or decommissioned), and that:

- a) has an export MPAN and an import MPAN with associated metering equipment which only measures export from Electricity Storage and/or Electricity Generation and import for or directly relating to Electricity Storage and/or Electricity Generation (and not export from another source and/or import for another activity; and
 - if registered in an MPAS Registration System, is subject to certification from a Supplier Party that the site meets the criteria in paragraph (a) above, which certificate has been provided to the DNO/IDNO Party; or
 - if registered in CMRS, is subject to certification from the Customer (or its CVA Registrant) that the site meets the criteria in paragraph (a) above, which certificate has been provided to the DNO/IDNO Party.

For the purposes of this declaration, the term Non-Final Demand Site has the meaning given to it in the DCUSA.

Metering System Site Address:

Qualifying Import MPAN/MSID(s)

Qualifying Export MPAN/MSID(s)

I declare that I understand the qualification requirements and certify that the above Metering System meets the criteria of a Non-Final Demand Site.

Authorised signatory:

Name and designation:

On behalf of company:

Date:

Annex 1 - Schedule of Charges for use of the Distribution System by LV and HV Properties in “Eastern Power Networks Area (GSP Group _A)”

Southern Electric Power Distribution plc - Effective from 1st April 2026 - Final LV and HV charges in UKPN EPN Area (GSP Group _A)

Time Bands for LV and HV Properties			
Time periods	Red Time Band	Amber Time Band	Green Time Band
Monday to Friday (Including Bank Holidays) All Year	16:00 - 19:00	07:00 - 16:00 19:00 - 23:00	00:00 - 07:00 23:00 - 24:00
Saturday and Sunday All Year			00:00 - 24:00
Notes	All times are in UK Clock time		

Time Bands for Unmetered Properties			
	Black Time Band	Yellow Time Band	Green Time Band
Monday to Friday (Including Bank Holidays) November to February Inclusive	16:00 - 19:00	07:00 - 16:00 19:00 - 23:00	00:00 - 07:00 23:00 - 24:00
Monday to Friday (Including Bank Holidays) March to October Inclusive		07:00 - 23:00	00:00 - 07:00 23:00 - 24:00
Saturday and Sunday All Year			00:00 - 24:00
Notes	All times are in UK Clock time		

Tariff name	Open LLFCs / DUoS Tariff IDs	PCs	Red/black unit charge p/kWh	Amber/yellow unit charge p/kWh	Green unit charge p/kWh	Fixed charge p/MPAN/day	Capacity charge p/kVA/day	Exceeded capacity charge p/kVA/day	Reactive power charge p/kVArh	Closed LLFCs / DUoS Tariff IDs
Domestic Aggregated or CT with Residual	167, 201-202, 258, 269, 301-302, 495, AA0	0, 1, 2	15.491	1.907	0.244	9.05				
Domestic Aggregated (Related MPAN)		2	15.491	1.907	0.244					
Non-Domestic Aggregated or CT No Residual	A10, A15, A20, A30, A35, A40, A45, A65, A70, A75, A85, A90, R75, AA1	0, 3, 4, 5-8	11.716	1.442	0.184	9.42				

Tariff name	Open LLFCs / DUoS Tariff IDs	PCs	Red/black unit charge p/kWh	Amber/yellow unit charge p/kWh	Green unit charge p/kWh	Fixed charge p/MPAN/day	Capacity charge p/kVA/day	Exceeded capacity charge p/kVA/day	Reactive power charge p/kVArh	Closed LLFCs / DUoS Tariff IDs
Non-Domestic Aggregated or CT Band 1	A11, A16, A21, A31, A36, A41, A46, A66, A71, A76, A86, A91, R76, AA2	0, 3, 4, 5-8	11.716	1.442	0.184	9.65				
Non-Domestic Aggregated or CT Band 2	A12, A17, A22, A32, A37, A42, A47, A67, A72, A77, A87, A92, R77, AA3	0, 3, 4, 5-8	11.716	1.442	0.184	10.08				
Non-Domestic Aggregated or CT Band 3	A13, A18, A23, A33, A38, A43, A48, A68, A73, A78, A88, A93, R78, AA4	0, 3, 4, 5-8	11.716	1.442	0.184	10.82				
Non-Domestic Aggregated or CT Band 4	A14, A19, A24, A34, A39, A44, A49, A69, A74, A79, A89, A94, R79, AA5	0, 3, 4, 5-8	11.716	1.442	0.184	13.03				
Non-Domestic Aggregated (related MPAN)		4	11.716	1.442	0.184					
LV Site Specific No Residual	A05, A50, A60	0	8.149	0.937	0.108	21.50	8.04	8.04	0.369	
LV Site Specific Band 1	A06, A51, A61	0	8.149	0.937	0.108	28.67	8.04	8.04	0.369	
LV Site Specific Band 2	A07, A52, A62	0	8.149	0.937	0.108	33.09	8.04	8.04	0.369	
LV Site Specific Band 3	A08, A53, A63	0	8.149	0.937	0.108	37.45	8.04	8.04	0.369	
LV Site Specific Band 4	A09, A54, A64	0	8.149	0.937	0.108	66.66	8.04	8.04	0.369	
LV Sub Site Specific No Residual	A95	0	5.506	0.563	0.052	17.95	6.06	6.06	0.220	
LV Sub Site Specific Band 1	A96	0	5.506	0.563	0.052	25.12	6.06	6.06	0.220	
LV Sub Site Specific Band 2	A97	0	5.506	0.563	0.052	29.54	6.06	6.06	0.220	

Tariff name	Open LLFCs / DUoS Tariff IDs	PCs	Red/black unit charge p/kWh	Amber/yellow unit charge p/kWh	Green unit charge p/kWh	Fixed charge p/MPAN/day	Capacity charge p/kVA/day	Exceeded capacity charge p/kVA/day	Reactive power charge p/kVAh	Closed LLFCs / DUoS Tariff IDs
LV Sub Site Specific Band 3	A98	0	5.506	0.563	0.052	33.90	6.06	6.06	0.220	
LV Sub Site Specific Band 4	A99	0	5.506	0.563	0.052	63.12	6.06	6.06	0.220	
HV Site Specific No Residual	A25, A55, A80	0	4.837	0.457	0.038	181.70	5.31	5.31	0.183	
HV Site Specific Band 1	A26, A56, A81	0	4.837	0.457	0.038	240.75	5.31	5.31	0.183	
HV Site Specific Band 2	A27, A57, A82	0	4.837	0.457	0.038	305.47	5.31	5.31	0.183	
HV Site Specific Band 3	A28, A58, A83	0	4.837	0.457	0.038	408.23	5.31	5.31	0.183	
HV Site Specific Band 4	A29, A59, A84	0	4.837	0.457	0.038	855.53	5.31	5.31	0.183	
Unmetered Supplies	207, 275-278, 530-534, A00	0, 1 or 8	39.967	3.385	2.051					
LV Generation Aggregated	961, A01	0 or 8	-9.135	-1.124	-0.144	0.00				
LV Sub Generation Aggregated		0	-7.369	-0.865	-0.103	0.00				
LV Generation Site Specific	9, 307, A02	0	-9.135	-1.124	-0.144	0.00			0.459	
LV Generation Site Specific no RP charge	13-14, A03	0	-9.135	-1.124	-0.144	0.00				
LV Sub Generation Site Specific	10-11	0	-7.369	-0.865	-0.103	0.00			0.328	
LV Sub Generation Site Specific no RP charge	75-76	0	-7.369	-0.865	-0.103	0.00				
HV Generation Site Specific	12, 308	0	-5.466	-0.559	-0.052	12.88			0.277	
HV Generation Site Specific no RP charge	77-78	0	-5.466	-0.559	-0.052	12.88				

Annex 1 - Schedule of Charges for use of the Distribution System by LV and HV Properties in “NGED East Midlands Area (GSP Group _B)”

Southern Electric Power Distribution plc - Effective from 1st April 2026 - Final LV and HV charges in NGED EM Area (GSP Group _B)

Time Bands for LV and HV Properties			
Time periods	Red Time Band	Amber Time Band	Green Time Band
Monday to Friday (Including Bank Holidays) All Year	16:00 to 19:00	07:30 to 16:00 19:00 to 21:00	00:00 to 07:30 21:00 to 24:00
Saturday and Sunday All Year			00:00 to 24:00
Notes	All the above times are in UK Clock time		

Time Bands for Unmetered Properties			
	Black Time Band	Yellow Time Band	Green Time Band
Monday to Friday (Including Bank Holidays) Nov to Feb Inclusive	16:00 to 19:00	07:30 to 16:00 19:00 to 21:00	00:00 to 07:30 21:00 to 24:00
Monday to Friday (Including Bank Holidays) Mar to Oct Inclusive		07:30 to 21:00	00:00 to 07:30 21:00 to 24:00
Saturday and Sunday All year			00:00 to 24:00
Notes	All the above times are in UK Clock time		

Tariff name	Open LLFCs / DUoS Tariff IDs	PCs	Red/black unit charge p/kWh	Amber/yellow unit charge p/kWh	Green unit charge p/kWh	Fixed charge p/MPAN/day	Capacity charge p/kVA/day	Exceeded capacity charge p/kVA/day	Reactive power charge p/kVAh	Closed LLFCs / DUoS Tariff IDs
Domestic Aggregated or CT with Residual	169, 279-280, 311-312, 461-462, 497, BA0	0, 1, 2	11.880	1.538	0.092	8.51				
Domestic Aggregated (Related MPAN)		2	11.880	1.538	0.092					
Non-Domestic Aggregated or CT No Residual	B05, B10, B15, B35, B40, B45, B55, B60, B70, B75, B80, B85, BA1	0, 3, 4, 5-8	12.031	1.557	0.093	11.53				
Non-Domestic Aggregated or CT Band 1	B06, B11, B16, B36, B41, B46, B56, B61, B71, B76, B81, B86, BA2	0, 3, 4, 5-8	12.031	1.557	0.093	12.60				

Tariff name	Open LLFCs / DUoS Tariff IDs	PCs	Red/black unit charge p/kWh	Amber/yellow unit charge p/kWh	Green unit charge p/kWh	Fixed charge p/MPAN/day	Capacity charge p/kVA/day	Exceeded capacity charge p/kVA/day	Reactive power charge p/kVAh	Closed LLFCs / DUoS Tariff IDs
Non-Domestic Aggregated or CT Band 2	B07, B12, B17, B37, B42, B47, B57, B62, B72, B77, B82, B87, BA3	0, 3, 4, 5-8	12.031	1.557	0.093	15.58				
Non-Domestic Aggregated or CT Band 3	B08, B13, B18, B38, B43, B48, B58, B63, B73, B78, B83, B88, BA4	0, 3, 4, 5-8	12.031	1.557	0.093	20.43				
Non-Domestic Aggregated or CT Band 4	B09, B14, B19, B39, B44, B49, B59, B64, B74, B79, B84, B89, BA5	0, 3, 4, 5-8	12.031	1.557	0.093	35.01				
Non-Domestic Aggregated (related MPAN)		4	12.031	1.557	0.093					
LV Site Specific No Residual	B20, B30	0	7.777	0.958	0.054	13.64	7.68	7.68	0.244	
LV Site Specific Band 1	B21, B31	0	7.777	0.958	0.054	55.73	7.68	7.68	0.244	
LV Site Specific Band 2	B22, B32	0	7.777	0.958	0.054	85.08	7.68	7.68	0.244	
LV Site Specific Band 3	B23, B33	0	7.777	0.958	0.054	129.00	7.68	7.68	0.244	
LV Site Specific Band 4	B24, B34	0	7.777	0.958	0.054	239.73	7.68	7.68	0.244	
LV Sub Site Specific No Residual	B65	0	5.147	0.560	0.027	10.65	7.40	7.40	0.155	
LV Sub Site Specific Band 1	B66	0	5.147	0.560	0.027	52.73	7.40	7.40	0.155	
LV Sub Site Specific Band 2	B67	0	5.147	0.560	0.027	82.09	7.40	7.40	0.155	
LV Sub Site Specific Band 3	B68	0	5.147	0.560	0.027	126.01	7.40	7.40	0.155	

Tariff name	Open LLFCs / DUoS Tariff IDs	PCs	Red/black unit charge p/kWh	Amber/yellow unit charge p/kWh	Green unit charge p/kWh	Fixed charge p/MPAN/day	Capacity charge p/kVA/day	Exceeded capacity charge p/kVA/day	Reactive power charge p/kVArh	Closed LLFCs / DUoS Tariff IDs
LV Sub Site Specific Band 4	B69	0	5.147	0.560	0.027	236.74	7.40	7.40	0.155	
HV Site Specific No Residual	B25, B50	0	2.837	0.257	0.009	98.28	8.57	8.57	0.076	
HV Site Specific Band 1	B26, B51	0	2.837	0.257	0.009	360.65	8.57	8.57	0.076	
HV Site Specific Band 2	B27, B52	0	2.837	0.257	0.009	866.35	8.57	8.57	0.076	
HV Site Specific Band 3	B28, B53	0	2.837	0.257	0.009	1543.02	8.57	8.57	0.076	
HV Site Specific Band 4	B29, B54	0	2.837	0.257	0.009	3736.24	8.57	8.57	0.076	
Unmetered Supplies	286-289, 535-539, B00	0, 1 or 8	32.874	3.018	1.229					
LV Generation Aggregated	965, B01	0 or 8	-7.711	-0.998	-0.060	0.00				
LV Sub Generation Aggregated		0	-6.422	-0.805	-0.047	0.00				
LV Generation Site Specific	15, 317, 512, B02	0	-7.711	-0.998	-0.060	0.00			0.279	
LV Generation Site Specific no RP charge	19-20, 513, B03	0	-7.711	-0.998	-0.060	0.00				
LV Sub Generation Site Specific	16-17	0	-6.422	-0.805	-0.047	0.00			0.207	
LV Sub Generation Site Specific no RP charge	89, 132	0	-6.422	-0.805	-0.047	0.00				
HV Generation Site Specific	18, 318	0	-3.958	-0.431	-0.021	61.51			0.172	
HV Generation Site Specific no RP charge	137, 158	0	-3.958	-0.431	-0.021	61.51				

Annex 1 - Schedule of Charges for use of the Distribution System by LV and HV Properties in “London Power Networks Area (GSP Group _C)”

Southern Electric Power Distribution plc - Effective from 1st April 2026 - Final LV and HV charges in UKPN LPN Area (GSP Group _C)

Time Bands for LV and HV Properties			
Time periods	Red Time Band	Amber Time Band	Green Time Band
Monday to Friday (Including Bank Holidays) All Year	11:00 - 14:00 16:00 - 19:00	07:00 - 11:00 14:00 - 16:00 19:00 - 23:00	00:00 - 07:00 23:00 - 24:00
Saturday and Sunday All Year			00:00 - 24:00
Notes	All times are in UK Clock time		

Time Bands for Unmetered Properties			
	Black Time Band	Yellow Time Band	Green Time Band
Monday to Friday (Including Bank Holidays) June to August Inclusive	11:00 - 14:00	07:00 - 11:00 14:00 - 23:00	00:00 - 07:00 23:00 - 24:00
Monday to Friday (Including Bank Holidays) November to February Inclusive	16:00 - 19:00	07:00 - 16:00 19:00 - 23:00	00:00 - 07:00 23:00 - 24:00
Monday to Friday (Including Bank Holidays) March, April, May and September, October		07:00 - 23:00	00:00 - 07:00 23:00 - 24:00
Saturday and Sunday All year			00:00 - 24:00
Notes	All times are in UK Clock time		

Tariff name	Open LLFCs / DUoS Tariff IDs	PCs	Red/black unit charge p/kWh	Amber/yellow unit charge p/kWh	Green unit charge p/kWh	Fixed charge p/MPAN/day	Capacity charge p/kVA/day	Exceeded capacity charge p/kVA/day	Reactive power charge p/kVArh	Closed LLFCs / DUoS Tariff IDs
Domestic Aggregated or CT with Residual	171, 191-192, 221-222, 321-322, 417-418, 506, 508, CA0	0, 1, 2	10.892	0.489	0.000	0.00				
Domestic Aggregated (Related MPAN)		2	11.164	0.761	0.064					

Tariff name	Open LLFCs / DUoS Tariff IDs	PCs	Red/black unit charge p/kWh	Amber/yellow unit charge p/kWh	Green unit charge p/kWh	Fixed charge p/MPAN/day	Capacity charge p/kVA/day	Exceeded capacity charge p/kVA/day	Reactive power charge p/kVAh	Closed LLFCs / DUoS Tariff IDs
Non-Domestic Aggregated or CT No Residual	C05, C10, C20, C30, C35, C40, C50, C60, C65, C70, C80, C85, C90, C95, R20, R25, R30, R35, CA1	0, 3, 4, 5-8	9.881	0.673	0.057	5.87				
Non-Domestic Aggregated or CT Band 1	C06, C11, C21, C31, C36, C41, C51, C61, C66, C71, C81, C86, C91, C96, R21, R26, R31, R36, CA2	0, 3, 4, 5-8	9.742	0.535	0.000	0.00				
Non-Domestic Aggregated or CT Band 2	C07, C12, C22, C32, C37, C42, C52, C62, C67, C72, C82, C87, C92, C97, R22, R27, R32, R37, CA3	0, 3, 4, 5-8	8.516	0.000	0.000	0.00				
Non-Domestic Aggregated or CT Band 3	C08, C13, C23, C33, C38, C43, C53, C63, C68, C73, C83, C88, C93, C98, R23, R28, R33, R38, CA4	0, 3, 4, 5-8	7.992	0.000	0.000	0.00				
Non-Domestic Aggregated or CT Band 4	C09, C14, C24, C34, C39, C44, C54, C64, C69, C74, C84, C89, C94, C99, R24, R29, R34, R39, CA5	0, 3, 4, 5-8	7.635	0.000	0.000	0.00				
Non-Domestic Aggregated (related MPAN)		4	9.881	0.673	0.057					
LV Site Specific No Residual	C15, C25, C55, R00	0	7.414	0.524	0.035	14.26	7.23	7.23	0.522	

Tariff name	Open LLFCs / DUoS Tariff IDs	PCs	Red/black unit charge p/kWh	Amber/yellow unit charge p/kWh	Green unit charge p/kWh	Fixed charge p/MPAN/day	Capacity charge p/kVA/day	Exceeded capacity charge p/kVA/day	Reactive power charge p/kVAh	Closed LLFCs / DUoS Tariff IDs
LV Site Specific Band 1	C16, C26, C56, R01	0	4.444	0.162	0.024	2.35	7.23	7.23	0.522	
LV Site Specific Band 2	C17, C27, C57, R02	0	4.388	0.162	0.024	2.35	7.23	7.23	0.522	
LV Site Specific Band 3	C18, C28, C58, R03	0	4.326	0.162	0.024	2.35	7.23	7.23	0.522	
LV Site Specific Band 4	C19, C29, C59, R04	0	4.257	0.162	0.024	2.35	7.23	7.23	0.522	
LV Sub Site Specific No Residual	R10, R15	0	4.737	0.362	0.012	11.91	8.95	8.95	0.323	
LV Sub Site Specific Band 1	R11, R16	0	1.767	0.000	0.000	0.00	8.95	8.95	0.323	
LV Sub Site Specific Band 2	R12, R17	0	1.711	0.000	0.000	0.00	8.95	8.95	0.323	
LV Sub Site Specific Band 3	R13, R18	0	1.649	0.000	0.000	0.00	8.95	8.95	0.323	
LV Sub Site Specific Band 4	R14, R19	0	1.580	0.000	0.000	0.00	8.95	8.95	0.323	
HV Site Specific No Residual	C45, C75, R05	0	3.440	0.262	0.008	120.55	9.19	9.19	0.244	
HV Site Specific Band 1	C46, C76, R06	0	0.230	0.000	0.000	0.00	9.19	9.19	0.244	
HV Site Specific Band 2	C47, C77, R07	0	0.009	0.000	0.000	0.00	9.19	9.19	0.244	
HV Site Specific Band 3	C48, C78, R08	0	0.104	0.000	0.000	0.00	9.19	9.19	0.244	
HV Site Specific Band 4	C49, C79, R09	0	0.021	0.000	0.000	0.00	9.19	9.19	0.244	
Unmetered Supplies	227, 424-427, 540-544, C02	0, 1 or 8	41.914	2.677	0.444					
LV Generation Aggregated	967, C03	0 or 8	-7.578	-0.516	-0.043	0.00				

Tariff name	Open LLFCs / DUoS Tariff IDs	PCs	Red/black unit charge p/kWh	Amber/yellow unit charge p/kWh	Green unit charge p/kWh	Fixed charge p/MPAN/day	Capacity charge p/kVA/day	Exceeded capacity charge p/kVA/day	Reactive power charge p/kVArh	Closed LLFCs / DUoS Tariff IDs
LV Sub Generation Aggregated		0	-6.263	-0.436	-0.032	0.00				
LV Generation Site Specific	21, 327, C04, R80	0	-7.578	-0.516	-0.043	0.00			0.480	
LV Generation Site Specific no RP charge	25-26, 228, 230, R81	0	-7.578	-0.516	-0.043	0.00				
LV Sub Generation Site Specific	22-23	0	-6.263	-0.436	-0.032	0.00			0.382	
LV Sub Generation Site Specific no RP charge	159, 208, 216-217	0	-6.263	-0.436	-0.032	0.00				
HV Generation Site Specific	24, 328, C00	0	-4.094	-0.313	-0.010	8.55			0.338	
HV Generation Site Specific no RP charge	214-215, 218-219	0	-4.094	-0.313	-0.010	8.55				

Annex 1 - Schedule of Charges for use of the Distribution System by LV and HV Properties in "SP Manweb Area (GSP Group _D)"

Southern Electric Power Distribution plc - Effective from 1st April 2026 - Final LV and HV charges in SP Manweb Area (GSP Group _D)

Time Bands for LV and HV Properties			
Time periods	Red Time Band	Amber Time Band	Green Time Band
Monday to Friday (Including Bank Holidays) All Year	16.30 - 19.30	08.00 - 16.30 19.30 - 22.30	00.00 - 08.00 22.30 - 00.00
Saturday and Sunday All Year		16.00 - 20.00	00.00 - 16.00 20.00 - 00.00
Notes	All the above times are in UK Clock time		

Time Bands for Unmetered Properties			
	Black Time Band	Yellow Time Band	Green Time Band
Monday to Friday (Including Bank Holidays) June to August Inclusive		08.00 - 22.30	00.00 - 08.00 22.30 - 00.00
Monday to Friday (Including Bank Holidays) November to February Inclusive	16.30 - 19.30	08.00 - 16.30 19.30 - 22.30	00.00 - 08.00 22.30 - 00.00
Monday to Friday (Including Bank Holidays) March, April, May and September, October		08.00 - 22.30	00.00 - 08.00 22.30 - 00.00
Saturday and Sunday All year		16.00 - 20.00	00:00 - 16:00 20:00 - 00:00
Notes	All the above times are in UK Clock time		

Tariff name	Open LLFCs / DUoS Tariff IDs	PCs	Red/black unit charge p/kWh	Amber/yellow unit charge p/kWh	Green unit charge p/kWh	Fixed charge p/MPAN/day	Capacity charge p/kVA/day	Exceeded capacity charge p/kVA/day	Reactive power charge p/kVAh	Closed LLFCs / DUoS Tariff IDs
Domestic Aggregated or CT with Residual	173, 331-332, DA0	0, 1, 2	15.389	3.360	0.484	23.50				
Domestic Aggregated (Related MPAN)		2	15.389	3.360	0.484					
Non-Domestic Aggregated or CT No Residual	D45, D15, D20, D25, D35, DA1	0, 3, 4, 5-8	16.455	3.592	0.518	7.30				
Non-Domestic Aggregated or CT Band 1	D46, D16, D21, D26, D36, DA2	0, 3, 4, 5-8	16.455	3.592	0.518	26.74				
Non-Domestic Aggregated or CT Band 2	D47, D17, D22, D27, D37, DA3	0, 3, 4, 5-8	16.455	3.592	0.518	49.76				

Tariff name	Open LLFCs / DUoS Tariff IDs	PCs	Red/black unit charge p/kWh	Amber/yellow unit charge p/kWh	Green unit charge p/kWh	Fixed charge p/MPAN/day	Capacity charge p/kVA/day	Exceeded capacity charge p/kVA/day	Reactive power charge p/kVArh	Closed LLFCs / DUoS Tariff IDs
Non-Domestic Aggregated or CT Band 3	D48, D18, D23, D28, D38, DA4	0, 3, 4, 5-8	16.455	3.592	0.518	97.89				
Non-Domestic Aggregated or CT Band 4	D49, D19, D24, D29, D39, DA5	0, 3, 4, 5-8	16.455	3.592	0.518	270.24				
Non-Domestic Aggregated (related MPAN)		4	16.455	3.592	0.518					
LV Site Specific No Residual	D10	0	11.785	2.301	0.315	24.41	6.87	6.87	0.628	
LV Site Specific Band 1	D11	0	11.785	2.301	0.315	547.49	6.87	6.87	0.628	
LV Site Specific Band 2	D12	0	11.785	2.301	0.315	1021.63	6.87	6.87	0.628	
LV Site Specific Band 3	D13	0	11.785	2.301	0.315	1572.65	6.87	6.87	0.628	
LV Site Specific Band 4	D14	0	11.785	2.301	0.315	3592.14	6.87	6.87	0.628	
LV Sub Site Specific No Residual	D40	0	9.068	1.376	0.162	8.61	10.76	10.76	0.347	
LV Sub Site Specific Band 1	D41	0	9.068	1.376	0.162	531.70	10.76	10.76	0.347	
LV Sub Site Specific Band 2	D42	0	9.068	1.376	0.162	1005.83	10.76	10.76	0.347	
LV Sub Site Specific Band 3	D43	0	9.068	1.376	0.162	1556.86	10.76	10.76	0.347	
LV Sub Site Specific Band 4	D44	0	9.068	1.376	0.162	3576.35	10.76	10.76	0.347	
HV Site Specific No Residual	D05, D30	0	7.151	0.974	0.102	130.43	10.00	10.00	0.241	
HV Site Specific Band 1	D06, D31	0	7.151	0.974	0.102	2890.46	10.00	10.00	0.241	

Tariff name	Open LLFCs / DUoS Tariff IDs	PCs	Red/black unit charge p/kWh	Amber/yellow unit charge p/kWh	Green unit charge p/kWh	Fixed charge p/MPAN/day	Capacity charge p/kVA/day	Exceeded capacity charge p/kVA/day	Reactive power charge p/kVArh	Closed LLFCs / DUoS Tariff IDs
HV Site Specific Band 2	D07, D32	0	7.151	0.974	0.102	8585.39	10.00	10.00	0.241	
HV Site Specific Band 3	D08, D33	0	7.151	0.974	0.102	18470.93	10.00	10.00	0.241	
HV Site Specific Band 4	D09, D34	0	7.151	0.974	0.102	33825.46	10.00	10.00	0.241	
Unmetered Supplies	545-549, D00	0, 1 or 8	34.246	5.168	2.857					
LV Generation Aggregated	969, D01	0 or 8	-10.986	-2.398	-0.346	0.00				
LV Sub Generation Aggregated		0	-9.547	-1.945	-0.272	0.00				
LV Generation Site Specific	27, 337, D02	0	-10.986	-2.398	-0.346	0.00			0.622	
LV Generation Site Specific no RP charge	31-32, D03	0	-10.986	-2.398	-0.346	0.00				
LV Sub Generation Site Specific	28-29	0	-9.547	-1.945	-0.272	0.00			0.539	
LV Sub Generation Site Specific no RP charge	231-232	0	-9.547	-1.945	-0.272	0.00				
HV Generation Site Specific	30, 338	0	-7.283	-1.105	-0.130	95.24			0.451	
HV Generation Site Specific no RP charge	233-234	0	-7.283	-1.105	-0.130	95.24				

Annex 1 - Schedule of Charges for use of the Distribution System by LV and HV Properties in “NGED West Midlands Area (GSP Group _E)”

Southern Electric Power Distribution plc - Effective from 1st April 2026 - Final LV and HV charges in NGED West Midlands Area (GSP Group _E)

Time Bands for LV and HV Properties			
Time periods	Red Time Band	Amber Time Band	Green Time Band
Monday to Friday (Including Bank Holidays) All Year	16:00 - 19:00	07:30 - 16:00 19:00 - 21:00	00:00 - 07:30 21:00 - 24:00
Saturday and Sunday All Year			00:00 - 24:00
Notes	All the above times are in UK Clock time		

Time Bands for Unmetered Properties			
	Black Time Band	Yellow Time Band	Green Time Band
Monday to Friday (Including Bank Holidays) Nov to Feb Inclusive	16:00 - 19:00	07:30 - 16:00 19:00 - 21:00	00:00 - 07:30 21:00 - 24:00
Monday to Friday (Including Bank Holidays) Mar to Oct Inclusive		07:30 - 21:00	00:00 - 07:30 21:00 - 24:00
Saturday and Sunday All Year			00:00 - 24:00
Notes	All the above times are in UK Clock time		

Tariff name	Open LLFCs / DUoS Tariff IDs	PCs	Red/black unit charge p/kWh	Amber/yellow unit charge p/kWh	Green unit charge p/kWh	Fixed charge p/MPAN/day	Capacity charge p/kVA/day	Exceeded capacity charge p/kVA/day	Reactive power charge p/kVArh	Closed LLFCs / DUoS Tariff IDs
Domestic Aggregated or CT with Residual	175, 341-342, EA0	0, 1, 2	11.064	1.418	0.194	13.84				
Domestic Aggregated (Related MPAN)		2	11.064	1.418	0.194					
Non-Domestic Aggregated or CT No Residual	E10, E15, E20, E30, E40, EA1	0, 3, 4, 5-8	10.325	1.324	0.181	14.33				
Non-Domestic Aggregated or CT Band 1	E11, E16, E21, E31, E41, EA2	0, 3, 4, 5-8	10.325	1.324	0.181	17.37				
Non-Domestic Aggregated or CT Band 2	E12, E17, E22, E32, E42, EA3	0, 3, 4, 5-8	10.325	1.324	0.181	26.13				
Non-Domestic Aggregated or CT Band 3	E13, E18, E23, E33, E43, EA4	0, 3, 4, 5-8	10.325	1.324	0.181	39.75				

Tariff name	Open LLFCs / DUoS Tariff IDs	PCs	Red/black unit charge p/kWh	Amber/yellow unit charge p/kWh	Green unit charge p/kWh	Fixed charge p/MPAN/day	Capacity charge p/kVA/day	Exceeded capacity charge p/kVA/day	Reactive power charge p/kVArh	Closed LLFCs / DUoS Tariff IDs
Non-Domestic Aggregated or CT Band 4	E14, E19, E24, E34, E44, EA5	0, 3, 4, 5-8	10.325	1.324	0.181	80.45				
Non-Domestic Aggregated (related MPAN)		4	10.325	1.324	0.181					
LV Site Specific No Residual	E05	0	6.515	0.827	0.100	14.69	10.66	10.66	0.114	
LV Site Specific Band 1	E06	0	6.515	0.827	0.100	129.59	10.66	10.66	0.114	
LV Site Specific Band 2	E07	0	6.515	0.827	0.100	219.77	10.66	10.66	0.114	
LV Site Specific Band 3	E08	0	6.515	0.827	0.100	338.91	10.66	10.66	0.114	
LV Site Specific Band 4	E09	0	6.515	0.827	0.100	583.21	10.66	10.66	0.114	
LV Sub Site Specific No Residual	E35	0	3.598	0.443	0.032	11.46	9.18	9.18	0.061	
LV Sub Site Specific Band 1	E36	0	3.598	0.443	0.032	126.37	9.18	9.18	0.061	
LV Sub Site Specific Band 2	E37	0	3.598	0.443	0.032	216.55	9.18	9.18	0.061	
LV Sub Site Specific Band 3	E38	0	3.598	0.443	0.032	335.69	9.18	9.18	0.061	
LV Sub Site Specific Band 4	E39	0	3.598	0.443	0.032	579.98	9.18	9.18	0.061	
HV Site Specific No Residual	E25	0	1.764	0.205	0.011	105.84	9.26	9.26	0.027	
HV Site Specific Band 1	E26	0	1.764	0.205	0.011	824.91	9.26	9.26	0.027	
HV Site Specific Band 2	E27	0	1.764	0.205	0.011	2275.43	9.26	9.26	0.027	

Tariff name	Open LLFCs / DUoS Tariff IDs	PCs	Red/black unit charge p/kWh	Amber/yellow unit charge p/kWh	Green unit charge p/kWh	Fixed charge p/MPAN/day	Capacity charge p/kVA/day	Exceeded capacity charge p/kVA/day	Reactive power charge p/kVAh	Closed LLFCs / DUoS Tariff IDs
HV Site Specific Band 3	E28	0	1.764	0.205	0.011	4427.24	9.26	9.26	0.027	
HV Site Specific Band 4	E29	0	1.764	0.205	0.011	9823.45	9.26	9.26	0.027	
Unmetered Supplies	550-554, E00	0, 1 or 8	40.137	3.071	1.764					
LV Generation Aggregated	973, E01	0 or 8	-7.093	-0.909	-0.124	0.00				
LV Sub Generation Aggregated		0	-5.590	-0.712	-0.090	0.00				
LV Generation Site Specific	33, 347, E02	0	-7.093	-0.909	-0.124	0.00			0.158	
LV Generation Site Specific no RP charge	37-38, E03	0	-7.093	-0.909	-0.124	0.00				
LV Sub Generation Site Specific	34-35	0	-5.590	-0.712	-0.090	0.00			0.106	
LV Sub Generation Site Specific no RP charge	235, 237	0	-5.590	-0.712	-0.090	0.00				
HV Generation Site Specific	36, 348	0	-2.752	-0.339	-0.024	66.24			0.083	
HV Generation Site Specific no RP charge	238-239	0	-2.752	-0.339	-0.024	66.24				

Annex 1 - Schedule of Charges for use of the Distribution System by LV and HV Properties in “Northern Powergrid (Northeast) Area (GSP Group _F)”

Southern Electric Power Distribution plc - Effective from 1st April 2026 - Final LV and HV charges in NPG Northeast Area (GSP Group _F)

Time Bands for LV and HV Properties			
Time periods	Red Time Band	Amber Time Band	Green Time Band
Monday to Friday (Including Bank Holidays) All Year	16:00 to 19:30	08:00 to 16:00 19:30 to 22:00	00:00 to 08:00 22:00 to 24:00
Saturday and Sunday All Year			00:00 to 24:00
Notes	All the above times are in UK Clock time		

Time Bands for Unmetered Properties			
	Black Time Band	Yellow Time Band	Green Time Band
Monday to Friday (Including Bank Holidays) November to February Inclusive	16:00 to 19:30	08:00 to 16:00 19:30 to 22:00	00:00 to 08:00 22:00 to 24:00
Monday to Friday (Including Bank Holidays) April to October Inclusive and March		08:00 to 22:00	00:00 to 08:00 22:00 to 24:00
Saturday and Sunday All Year			00:00 to 24:00
Notes	All the above times are in UK Clock time		

Tariff name	Open LLFCs / DUoS Tariff IDs	PCs	Red/black unit charge p/kWh	Amber/yellow unit charge p/kWh	Green unit charge p/kWh	Fixed charge p/MPAN/day	Capacity charge p/kVA/day	Exceeded capacity charge p/kVA/day	Reactive power charge p/kVArh	Closed LLFCs / DUoS Tariff IDs
Domestic Aggregated or CT with Residual	177, 179, 251-252, 351-352, 428-429, 514, 751-752, FA3, SA0	0, 1, 2	11.239	1.702	0.240	17.97				
Domestic Aggregated (Related MPAN)		2	11.239	1.702	0.240					
Non-Domestic Aggregated or CT No Residual	F05, F15, F20, F25, F35, F45, F50, F55, F65, F70, F75, F80, F85, R40, S05, S15, S20, S25, S35, FA4, SA1	0, 3, 4, 5-8	12.823	1.942	0.273	14.71				

Tariff name	Open LLFCs / DUoS Tariff IDs	PCs	Red/black unit charge p/kWh	Amber/yellow unit charge p/kWh	Green unit charge p/kWh	Fixed charge p/MPAN/day	Capacity charge p/kVA/day	Exceeded capacity charge p/kVA/day	Reactive power charge p/kVArh	Closed LLFCs / DUoS Tariff IDs
Non-Domestic Aggregated or CT Band 1	F06, F16, F21, F26, F36, F46, F51, F56, F66, F71, F76, F81, F86, R41, S06, S16, S21, S26, S36, FA5, SA2	0, 3, 4, 5-8	12.823	1.942	0.273	16.73				
Non-Domestic Aggregated or CT Band 2	F07, F17, F22, F27, F37, F47, F52, F57, F67, F72, F77, F82, F87, R42, S07, S17, S22, S27, S37, FA6, SA3	0, 3, 4, 5-8	12.823	1.942	0.273	20.21				
Non-Domestic Aggregated or CT Band 3	F08, F18, F23, F28, F38, F48, F53, F58, F68, F73, F78, F83, F88, R43, S08, S18, S23, S28, S38, FA7, SA4	0, 3, 4, 5-8	12.823	1.942	0.273	26.54				
Non-Domestic Aggregated or CT Band 4	F09, F19, F24, F29, F39, F49, F54, F59, F69, F74, F79, F84, F89, R44, S09, S19, S24, S29, S39, FA8, SA5	0, 3, 4, 5-8	12.823	1.942	0.273	46.58				
Non-Domestic Aggregated (related MPAN)		4	12.823	1.942	0.273					
LV Site Specific No Residual	F10, F40, F90, S10	0	8.522	1.255	0.179	15.25	5.48	5.48	0.163	
LV Site Specific Band 1	F11, F41, F91, S11	0	8.522	1.255	0.179	68.39	5.48	5.48	0.163	
LV Site Specific Band 2	F12, F42, F92, S12	0	8.522	1.255	0.179	129.89	5.48	5.48	0.163	
LV Site Specific Band 3	F13, F43, F93, S13	0	8.522	1.255	0.179	194.74	5.48	5.48	0.163	

Tariff name	Open LLFCs / DUoS Tariff IDs	PCs	Red/black unit charge p/kWh	Amber/yellow unit charge p/kWh	Green unit charge p/kWh	Fixed charge p/MPAN/day	Capacity charge p/kVA/day	Exceeded capacity charge p/kVA/day	Reactive power charge p/kVARh	Closed LLFCs / DUoS Tariff IDs
LV Site Specific Band 4	F14, F44, F94, S14	0	8.522	1.255	0.179	482.86	5.48	5.48	0.163	
LV Sub Site Specific No Residual	S00	0	4.634	0.626	0.093	15.25	5.15	5.15	0.087	
LV Sub Site Specific Band 1	S01	0	4.634	0.626	0.093	68.39	5.15	5.15	0.087	
LV Sub Site Specific Band 2	S02	0	4.634	0.626	0.093	129.89	5.15	5.15	0.087	
LV Sub Site Specific Band 3	S03	0	4.634	0.626	0.093	194.74	5.15	5.15	0.087	
LV Sub Site Specific Band 4	S04	0	4.634	0.626	0.093	482.86	5.15	5.15	0.087	
HV Site Specific No Residual	F30, F60, F95, S30	0	3.403	0.427	0.066	316.66	5.60	5.60	0.063	
HV Site Specific Band 1	F31, F61, F96, S31	0	3.403	0.427	0.066	681.69	5.60	5.60	0.063	
HV Site Specific Band 2	F32, F62, F97, S32	0	3.403	0.427	0.066	1316.40	5.60	5.60	0.063	
HV Site Specific Band 3	F33, F63, F98, S33	0	3.403	0.427	0.066	2103.42	5.60	5.60	0.063	
HV Site Specific Band 4	F34, F64, F99, S34	0	3.403	0.427	0.066	5182.22	5.60	5.60	0.063	
Unmetered Supplies	257, 435-438, 555-559, 760-764, F00	0, 1 or 8	33.484	1.813	0.498					
LV Generation Aggregated	975, 990, F01	0 or 8	(7.736)	(1.171)	(0.165)					
LV Sub Generation Aggregated		0	(6.518)	(0.972)	(0.138)					
LV Generation Site Specific	39, 357, F02, FA1	0	(7.736)	(1.171)	(0.165)				0.130	

Tariff name	Open LLFCs / DUoS Tariff IDs	PCs	Red/black unit charge p/kWh	Amber/yellow unit charge p/kWh	Green unit charge p/kWh	Fixed charge p/MPAN/day	Capacity charge p/kVA/day	Exceeded capacity charge p/kVA/day	Reactive power charge p/kVArh	Closed LLFCs / DUoS Tariff IDs
LV Generation Site Specific no RP charge	43-44, 244-245, F03, FA2	0	(7.736)	(1.171)	(0.165)					
LV Sub Generation Site Specific	40-41	0	(6.518)	(0.972)	(0.138)				0.122	
LV Sub Generation Site Specific no RP charge	240-241	0	(6.518)	(0.972)	(0.138)					
HV Generation Site Specific	42, 358, 757-758, F04	0	(3.884)	(0.525)	(0.078)	70.64			0.108	
HV Generation Site Specific no RP charge	242-243, 246-247	0	(3.884)	(0.525)	(0.078)	70.64				

Annex 1 - Schedule of Charges for use of the Distribution System by LV and HV Properties in “Electricity North West Area (GSP Group _G)”

Southern Electric Power Distribution plc - Effective from 1st April 2026 - Final LV and HV charges in Electricity North West Area (GSP Group _G)

Time Bands for LV and HV Properties			
Time periods	Red Time Band	Amber Time Band	Green Time Band
Monday to Friday (Including Bank Holidays) All Year	16:00 - 19:00	09:00 - 16:00 19:00 - 20:30	00.00 - 09.00 20.30 - 24.00
Saturday and Sunday All Year		16:00 - 19:00	00.00 - 16.00 19.00 - 24.00
Notes	All the above times are in UK Clock time		

Time Bands for Unmetered Properties			
	Black Time Band	Yellow Time Band	Green Time Band
Monday to Friday (Including Bank Holidays) March to October Inclusive		09.00 - 20.30	00.00 - 09.00 20.30 - 24.00
Monday to Friday (Including Bank Holidays) November to February Inclusive	16:00 - 19:00	09:00 - 16.00 19.00 - 20.30	00.00 - 09.00 20.30 - 24.00
Saturday and Sunday All Year		16:00 - 19:00	00.00 - 16.00 19.00 - 24.00
Notes	All the above times are in UK Clock time		

Tariff name	Open LLFCs / DUoS Tariff IDs	PCs	Red/black unit charge p/kWh	Amber/yellow unit charge p/kWh	Green unit charge p/kWh	Fixed charge p/MPAN/day	Capacity charge p/kVA/day	Exceeded capacity charge p/kVA/day	Reactive power charge p/kVAh	Closed LLFCs / DUoS Tariff IDs
Domestic Aggregated or CT with Residual	181, 261-262, 361-362, 480- 481, 516, GA2	0, 1, 2	16.206	2.565	0.150	2.88				
Domestic Aggregated (Related MPAN)		2	16.206	2.565	0.150					
Non-Domestic Aggregated or CT No Residual	GA0, G10, G15, G20, G35, G40, G45, G55, G65, G70, G75, G90, GA3	0, 3, 4, 5- 8	15.538	2.459	0.144	9.01				
Non-Domestic Aggregated or CT Band 1	GA1, G11, G16, G21, G36, G41, G46, G56, G66, G71, G76, G91, GA4	0, 3, 4, 5- 8	15.538	2.459	0.143	0.00				

Tariff name	Open LLFCs / DUoS Tariff IDs	PCs	Red/black unit charge p/kWh	Amber/yellow unit charge p/kWh	Green unit charge p/kWh	Fixed charge p/MPAN/day	Capacity charge p/kVA/day	Exceeded capacity charge p/kVA/day	Reactive power charge p/kVAh	Closed LLFCs / DUoS Tariff IDs
Non-Domestic Aggregated or CT Band 2	G02, G12, G17, G22, G37, G42, G47, G57, G67, G72, G77, G92, GA5	0, 3, 4, 5-8	15.163	2.084	0.000	0.00				
Non-Domestic Aggregated or CT Band 3	G03, G13, G18, G23, G38, G43, G48, G58, G68, G73, G78, G93, GA6	0, 3, 4, 5-8	14.678	1.599	0.000	0.00				
Non-Domestic Aggregated or CT Band 4	G04, G14, G19, G24, G39, G44, G49, G59, G69, G74, G79, G94, GA7	0, 3, 4, 5-8	14.374	1.295	0.000	0.00				
Non-Domestic Aggregated (related MPAN)		4	15.538	2.459	0.144					
LV Site Specific No Residual	G05, G30, G80	0	9.417	1.393	0.083	31.71	6.92	6.92	0.173	
LV Site Specific Band 1	G06, G31, G81	0	7.832	0.425	0.024	0.00	6.92	6.92	0.173	
LV Site Specific Band 2	G07, G32, G82	0	7.317	0.425	0.024	0.00	6.92	6.92	0.173	
LV Site Specific Band 3	G08, G33, G83	0	6.892	0.425	0.024	0.00	6.92	6.92	0.173	
LV Site Specific Band 4	G09, G34, G84	0	6.539	0.425	0.024	0.00	6.92	6.92	0.173	
LV Sub Site Specific No Residual	G60, G95	0	7.107	0.967	0.059	102.35	8.13	8.13	0.120	
LV Sub Site Specific Band 1	G61, G96	0	5.522	0.000	0.000	70.64	8.13	8.13	0.120	
LV Sub Site Specific Band 2	G62, G97	0	5.007	0.000	0.000	70.64	8.13	8.13	0.120	
LV Sub Site Specific Band 3	G63, G98	0	4.582	0.000	0.000	70.64	8.13	8.13	0.120	

Tariff name	Open LLFCs / DUoS Tariff IDs	PCs	Red/black unit charge p/kWh	Amber/yellow unit charge p/kWh	Green unit charge p/kWh	Fixed charge p/MPAN/day	Capacity charge p/kVA/day	Exceeded capacity charge p/kVA/day	Reactive power charge p/kVArh	Closed LLFCs / DUoS Tariff IDs
LV Sub Site Specific Band 4	G64, G99	0	4.229	0.000	0.000	70.64	8.13	8.13	0.120	
HV Site Specific No Residual	G25, G50, G85	0	4.919	0.587	0.038	225.05	7.79	7.79	0.072	
HV Site Specific Band 1	G26, G51, G86	0	1.998	0.000	0.000	0.00	7.79	7.79	0.072	
HV Site Specific Band 2	G27, G52, G87	0	0.640	0.000	0.000	0.00	7.79	7.79	0.072	
HV Site Specific Band 3	G28, G53, G88	0	0.363	0.000	0.000	0.00	7.79	7.79	0.072	
HV Site Specific Band 4	G29, G54, G89	0	0.000	0.000	0.000	0.00	7.79	7.79	0.072	
Unmetered Supplies	267-268, 487-490, 560-564	0, 1 or 8	48.399	5.308	3.344					
LV Generation Aggregated	977, G01	0 or 8	-9.968	-1.578	-0.092	0.00				
LV Sub Generation Aggregated		0	-7.897	-1.186	-0.070	0.00				
LV Generation Site Specific	45, 367, R82	0	-9.968	-1.578	-0.092	0.00			0.176	
LV Generation Site Specific no RP charge	49-50, R83	0	-9.968	-1.578	-0.092	0.00				
LV Sub Generation Site Specific	46-47	0	-7.897	-1.186	-0.070	0.00			0.153	
LV Sub Generation Site Specific no RP charge	248-249	0	-7.897	-1.186	-0.070	0.00				
HV Generation Site Specific	48, 368	0	-5.982	-0.814	-0.050	15.15			0.122	
HV Generation Site Specific no RP charge	339, 406	0	-5.982	-0.814	-0.050	15.15				

Annex 1 - Schedule of Charges for use of the Distribution System by LV and HV Properties in “South Eastern Power Networks Area (GSP Group _J)”

Southern Electric Power Distribution plc - Effective from 1st April 2026 - Final LV and HV charges in UKPN SPN Area (GSP Group _J)

Time Bands for LV and HV Properties			
Time periods	Red Time Band	Amber Time Band	Green Time Band
Monday to Friday (Including Bank Holidays) All Year	16:00 - 19:00	07:00 - 16:00 19:00 - 23:00	00:00 - 07:00 23:00 - 24:00
Saturday and Sunday All Year			00:00 - 24:00
Notes	All times are in UK Clock time		

Time Bands for Unmetered Properties			
	Black Time Band	Yellow Time Band	Green Time Band
Monday to Friday (Including Bank Holidays) November to February Inclusive	16:00 - 19:00	07:00 - 16:00 19:00 - 23:00	00:00 - 07:00 23:00 - 24:00
Monday to Friday (Including Bank Holidays) March to October Inclusive		07:00 - 23:00	00:00 - 07:00 23:00 - 24:00
Saturday and Sunday All Year			00:00 - 24:00
Notes	All times are in UK Clock time		

Tariff name	Open LLFCs / DUoS Tariff IDs	PCs	Red/black unit charge p/kWh	Amber/yellow unit charge p/kWh	Green unit charge p/kWh	Fixed charge p/MPAN/day	Capacity charge p/kVA/day	Exceeded capacity charge p/kVA/day	Reactive power charge p/kVAh	Closed LLFCs / DUoS Tariff IDs
Domestic Aggregated or CT with Residual	183, 371-372, 471-472, JA0	0, 1, 2	21.230	0.768	0.238	9.56				
Domestic Aggregated (Related MPAN)		2	21.230	0.768	0.238					
Non-Domestic Aggregated or CT No Residual	J10, J15, J20, J30, J40, J45, J50, JA1	0, 3, 4, 5-8	15.864	0.574	0.178	9.30				
Non-Domestic Aggregated or CT Band 1	J11, J16, J21, J31, J41, J46, J51, JA2	0, 3, 4, 5-8	15.864	0.574	0.178	10.04				
Non-Domestic Aggregated or CT Band 2	J12, J17, J22, J32, J42, J47, J52, JA3	0, 3, 4, 5-8	15.864	0.574	0.178	11.50				

Tariff name	Open LLFCs / DUoS Tariff IDs	PCs	Red/black unit charge p/kWh	Amber/yellow unit charge p/kWh	Green unit charge p/kWh	Fixed charge p/MPAN/day	Capacity charge p/kVA/day	Exceeded capacity charge p/kVA/day	Reactive power charge p/kVArh	Closed LLFCs / DUoS Tariff IDs
Non-Domestic Aggregated or CT Band 3	J13, J18, J23, J33, J43, J48, J53, JA4	0, 3, 4, 5-8	15.864	0.574	0.178	13.91				
Non-Domestic Aggregated or CT Band 4	J14, J19, J24, J34, J44, J49, J54, JA5	0, 3, 4, 5-8	15.864	0.574	0.178	22.20				
Non-Domestic Aggregated (related MPAN)		4	15.864	0.574	0.178					
LV Site Specific No Residual	J05	0	11.311	0.389	0.121	20.81	8.57	8.57	0.361	
LV Site Specific Band 1	J06	0	11.311	0.389	0.121	46.56	8.57	8.57	0.361	
LV Site Specific Band 2	J07	0	11.311	0.389	0.121	65.81	8.57	8.57	0.361	
LV Site Specific Band 3	J08	0	11.311	0.389	0.121	89.87	8.57	8.57	0.361	
LV Site Specific Band 4	J09	0	11.311	0.389	0.121	182.28	8.57	8.57	0.361	
LV Sub Site Specific No Residual	J35	0	6.923	0.215	0.068	17.37	7.39	7.39	0.214	
LV Sub Site Specific Band 1	J36	0	6.923	0.215	0.068	43.13	7.39	7.39	0.214	
LV Sub Site Specific Band 2	J37	0	6.923	0.215	0.068	62.38	7.39	7.39	0.214	
LV Sub Site Specific Band 3	J38	0	6.923	0.215	0.068	86.44	7.39	7.39	0.214	
LV Sub Site Specific Band 4	J39	0	6.923	0.215	0.068	178.84	7.39	7.39	0.214	
HV Site Specific No Residual	J25	0	6.010	0.177	0.056	175.83	6.66	6.66	0.186	
HV Site Specific Band 1	J26	0	6.010	0.177	0.056	360.69	6.66	6.66	0.186	
HV Site Specific Band 2	J27	0	6.010	0.177	0.056	636.85	6.66	6.66	0.186	

Tariff name	Open LLFCs / DUoS Tariff IDs	PCs	Red/black unit charge p/kWh	Amber/yellow unit charge p/kWh	Green unit charge p/kWh	Fixed charge p/MPAN/day	Capacity charge p/kVA/day	Exceeded capacity charge p/kVA/day	Reactive power charge p/kVAh	Closed LLFCs / DUoS Tariff IDs
HV Site Specific Band 3	J28	0	6.010	0.177	0.056	832.37	6.66	6.66	0.186	
HV Site Specific Band 4	J29	0	6.010	0.177	0.056	2071.80	6.66	6.66	0.186	
Unmetered Supplies	565-569, J00	0, 1 or 8	57.601	2.566	2.041					
LV Generation Aggregated	979, J01	0 or 8	-12.382	-0.448	-0.139	0.00				
LV Sub Generation Aggregated		0	-10.024	-0.350	-0.109	0.00				
LV Generation Site Specific	51, 377, J02	0	-12.382	-0.448	-0.139	0.00			0.412	
LV Generation Site Specific no RP charge	55-56, J03	0	-12.382	-0.448	-0.139	0.00				
LV Sub Generation Site Specific	52-53	0	-10.024	-0.350	-0.109	0.00			0.312	
LV Sub Generation Site Specific no RP charge	408, 413	0	-10.024	-0.350	-0.109	0.00				
HV Generation Site Specific	54, 378	0	-7.007	-0.218	-0.069	12.47			0.271	
HV Generation Site Specific no RP charge	510-511	0	-7.007	-0.218	-0.069	12.47				

Annex 1 - Schedule of Charges for use of the Distribution System by LV and HV Properties in “NGED South Wales Area (GSP Group _K)”

Southern Electric Power Distribution plc - Effective from 1st April 2026 - Final LV and HV charges in NGED South Wales Area (GSP Group _K)

Time Bands for LV and HV Properties			
Time periods	Red Time Band	Amber Time Band	Green Time Band
Monday to Friday (Including Bank Holidays) All Year	17:00 to 19:30	07:30 to 17:00 19:30 to 22:00	00:00 to 07:30 22:00 to 24:00
Saturday and Sunday All Year		12:00 to 13:00 16:00 to 21:00	00:00 to 12:00 13:00 to 16:00 21:00 to 24:00
Notes	All the above times are in UK Clock time		

Time Bands for Unmetered Properties			
	Black Time Band	Yellow Time Band	Green Time Band
Monday to Friday (Including Bank Holidays) Nov to Feb Inclusive (excluding 22nd Dec to 4th Jan inclusive)	17:00 to 19:30	07:30 to 17:00 19:30 to 22:00	00:00 to 07:30 22:00 to 24:00
Monday to Friday (Including Bank Holidays) Mar to Oct Inclusive (plus 22nd Dec to 4th Jan inclusive)		07:30 to 22:00	00:00 to 07:30 22:00 to 24:00
Saturday and Sunday All Year		12:00 to 13:00 16:00 to 21:00	00:00 to 12:00 13:00 to 16:00 21:00 to 24:00
Notes	All the above times are in UK Clock time		

Tariff name	Open LLFCs / DUoS Tariff IDs	PCs	Red/black unit charge p/kWh	Amber/yellow unit charge p/kWh	Green unit charge p/kWh	Fixed charge p/MPAN/day	Capacity charge p/kVA/day	Exceeded capacity charge p/kVA/day	Reactive power charge p/kVAh	Closed LLFCs / DUoS Tariff IDs
Domestic Aggregated or CT with Residual	81-82, 91-92, 98-99, 185, 291-292, 518, K04, KA0	0, 1, 2	18.538	1.530	0.294	12.01				
Domestic Aggregated (Related MPAN)		2	18.538	1.530	0.294					
Non-Domestic Aggregated or CT No Residual	K10, K30, K35, K40, K50, K60, K65, K70, K80, K90, K95, R45, R50, KA1	0, 3, 4, 5-8	20.286	1.674	0.321	15.30				

Tariff name	Open LLFCs / DUoS Tariff IDs	PCs	Red/black unit charge p/kWh	Amber/yellow unit charge p/kWh	Green unit charge p/kWh	Fixed charge p/MPAN/day	Capacity charge p/kVA/day	Exceeded capacity charge p/kVA/day	Reactive power charge p/kVArh	Closed LLFCs / DUoS Tariff IDs
Non-Domestic Aggregated or CT Band 1	K11, K31, K36, K41, K51, K61, K66, K71, K81, K91, K96, R46, R51, KA2	0, 3, 4, 5-8	20.286	1.674	0.321	18.14				
Non-Domestic Aggregated or CT Band 2	K12, K32, K37, K42, K52, K62, K67, K72, K82, K92, K97, R47, R52, KA3	0, 3, 4, 5-8	20.286	1.674	0.321	23.18				
Non-Domestic Aggregated or CT Band 3	K13, K33, K38, K43, K53, K63, K68, K73, K83, K93, K98, R48, R53, KA4	0, 3, 4, 5-8	20.286	1.674	0.321	31.87				
Non-Domestic Aggregated or CT Band 4	K14, K34, K39, K44, K54, K64, K69, K74, K84, K94, K99, R49, R54, KA5	0, 3, 4, 5-8	20.286	1.674	0.321	58.04				
Non-Domestic Aggregated (related MPAN)		4	20.286	1.674	0.321					
LV Site Specific No Residual	K15, K25, K55	0	12.885	0.989	0.206	17.88	10.49	10.49	0.287	
LV Site Specific Band 1	K16, K26, K56	0	12.885	0.989	0.206	94.61	10.49	10.49	0.287	
LV Site Specific Band 2	K17, K27, K57	0	12.885	0.989	0.206	165.52	10.49	10.49	0.287	
LV Site Specific Band 3	K18, K28, K58	0	12.885	0.989	0.206	268.48	10.49	10.49	0.287	
LV Site Specific Band 4	K19, K29, K59	0	12.885	0.989	0.206	600.61	10.49	10.49	0.287	
LV Sub Site Specific No Residual	K85	0	8.545	0.526	0.140	13.96	10.07	10.07	0.179	
LV Sub Site Specific Band 1	K86	0	8.545	0.526	0.140	90.69	10.07	10.07	0.179	
LV Sub Site Specific Band 2	K87	0	8.545	0.526	0.140	161.60	10.07	10.07	0.179	
LV Sub Site Specific Band 3	K88	0	8.545	0.526	0.140	264.56	10.07	10.07	0.179	

Tariff name	Open LLFCs / DUoS Tariff IDs	PCs	Red/black unit charge p/kWh	Amber/yellow unit charge p/kWh	Green unit charge p/kWh	Fixed charge p/MPAN/day	Capacity charge p/kVA/day	Exceeded capacity charge p/kVA/day	Reactive power charge p/kVAh	Closed LLFCs / DUoS Tariff IDs
LV Sub Site Specific Band 4	K89	0	8.545	0.526	0.140	596.69	10.07	10.07	0.179	
HV Site Specific No Residual	K20, K45, K75	0	5.953	0.327	0.096	128.84	10.43	10.43	0.115	
HV Site Specific Band 1	K21, K46, K76	0	5.953	0.327	0.096	692.19	10.43	10.43	0.115	
HV Site Specific Band 2	K22, K47, K77	0	5.953	0.327	0.096	1590.95	10.43	10.43	0.115	
HV Site Specific Band 3	K23, K48, K78	0	5.953	0.327	0.096	2871.80	10.43	10.43	0.115	
HV Site Specific Band 4	K24, K49, K79	0	5.953	0.327	0.096	6566.48	10.43	10.43	0.115	
Unmetered Supplies	88, 97, 197-199, 570-574, K06	0, 1 or 8	65.378	3.224	1.882					
LV Generation Aggregated	982, K07	0 or 8	-12.886	-1.063	-0.204	0.00				
LV Sub Generation Aggregated		0	-11.227	-0.888	-0.179	0.00				
LV Generation Site Specific	57, 297, K08	0	-12.886	-1.063	-0.204	0.00			0.355	
LV Generation Site Specific no RP charge	61-62, K09	0	-12.886	-1.063	-0.204	0.00				
LV Sub Generation Site Specific	58-59	0	-11.227	-0.888	-0.179	0.00			0.266	
LV Sub Generation Site Specific no RP charge	K00-K01	0	-11.227	-0.888	-0.179	0.00				
HV Generation Site Specific	60, 298	0	-6.811	-0.419	-0.112	80.63			0.227	
HV Generation Site Specific no RP charge	K02-K03	0	-6.811	-0.419	-0.112	80.63				

Annex 1 - Schedule of Charges for use of the Distribution System by LV and HV Properties in “NGED South West Area (GSP Group _L)”

Southern Electric Power Distribution plc - Effective from 1st April 2026 - Final LV and HV charges in NGED South West Area (GSP Group _L)

Time Bands for LV and HV Properties			
Time periods	Red Time Band	Amber Time Band	Green Time Band
Monday to Friday (Including Bank Holidays) All Year	17.00 - 19.00	07:30 to 17:00 19:00 to 21:30	00:00 to 07:30 21:30 to 24:00
Saturday and Sunday All year		16:30 to 19:30	00:00 to 16:30 19:30 to 24:00
Notes	All the above times are in UK Clock time		

Time Bands for Unmetered Properties			
	Black Time Band	Yellow Time Band	Green Time Band
Monday to Friday (Including Bank Holidays) Nov to Feb Inclusive (excluding 22nd Dec to 4th Jan inclusive)	17:00 to 19:00	07:30 to 17:00 19:00 to 21:30	00:00 to 07:30 21:30 to 24:00
Monday to Friday (Including Bank Holidays) Mar to Oct Inclusive (plus 22nd Dec to 4th Jan inclusive)		07:30 to 21:30	00:00 to 07:30 21:30 to 24:00
Saturday and Sunday All year		16:30 to 19:30	00:00 to 16:30 19:30 to 24:00
Notes	All the above times are in UK Clock time		

Tariff name	Open LLFCs / DUoS Tariff IDs	PCs	Red/black unit charge p/kWh	Amber/yellow unit charge p/kWh	Green unit charge p/kWh	Fixed charge p/MPAN/day	Capacity charge p/kVA/day	Exceeded capacity charge p/kVA/day	Reactive power charge p/kVAh	Closed LLFCs / DUoS Tariff IDs
Domestic Aggregated or CT with Residual	187, 381-382, L08, LA0	0, 1, 2	22.754	1.814	0.198	12.57				
Domestic Aggregated (Related MPAN)		2	22.754	1.814	0.198					
Non-Domestic Aggregated or CT No Residual	L10, L15, L20, L30, L45, L50, L55, R55, LA1	0, 3, 4, 5-8	24.204	1.930	0.211	17.41				
Non-Domestic Aggregated or CT Band 1	L11, L16, L21, L31, L46, L51, L56, R56, LA2	0, 3, 4, 5-8	24.204	1.930	0.211	18.02				

Tariff name	Open LLFCs / DUoS Tariff IDs	PCs	Red/black unit charge p/kWh	Amber/yellow unit charge p/kWh	Green unit charge p/kWh	Fixed charge p/MPAN/day	Capacity charge p/kVA/day	Exceeded capacity charge p/kVA/day	Reactive power charge p/kVArh	Closed LLFCs / DUoS Tariff IDs
Non-Domestic Aggregated or CT Band 2	L12, L17, L22, L32, L47, L52, L57, R57, LA3	0, 3, 4, 5-8	24.204	1.930	0.211	19.92				
Non-Domestic Aggregated or CT Band 3	L13, L18, L23, L33, L48, L53, L58, R58, LA4	0, 3, 4, 5-8	24.204	1.930	0.211	22.46				
Non-Domestic Aggregated or CT Band 4	L14, L19, L24, L34, L49, L54, L59, R59, LA5	0, 3, 4, 5-8	24.204	1.930	0.211	29.69				
Non-Domestic Aggregated (related MPAN)		4	24.204	1.930	0.211					
LV Site Specific No Residual	L60, R60	0	14.833	1.065	0.114	17.31	12.18	12.18	0.216	
LV Site Specific Band 1	L61, R61	0	14.833	1.065	0.114	41.51	12.18	12.18	0.216	
LV Site Specific Band 2	L62, R62	0	14.833	1.065	0.114	60.79	12.18	12.18	0.216	
LV Site Specific Band 3	L63, R63	0	14.833	1.065	0.114	86.84	12.18	12.18	0.216	
LV Site Specific Band 4	L64, R64	0	14.833	1.065	0.114	171.29	12.18	12.18	0.216	
LV Sub Site Specific No Residual	L35	0	9.374	0.496	0.049	13.51	10.47	10.47	0.118	
LV Sub Site Specific Band 1	L36	0	9.374	0.496	0.049	37.71	10.47	10.47	0.118	
LV Sub Site Specific Band 2	L37	0	9.374	0.496	0.049	56.99	10.47	10.47	0.118	
LV Sub Site Specific Band 3	L38	0	9.374	0.496	0.049	83.04	10.47	10.47	0.118	
LV Sub Site Specific Band 4	L39	0	9.374	0.496	0.049	167.50	10.47	10.47	0.118	
HV Site Specific No Residual	L25, L40	0	7.242	0.302	0.028	124.75	10.06	10.06	0.082	

Tariff name	Open LLFCs / DUoS Tariff IDs	PCs	Red/black unit charge p/kWh	Amber/yellow unit charge p/kWh	Green unit charge p/kWh	Fixed charge p/MPAN/day	Capacity charge p/kVA/day	Exceeded capacity charge p/kVA/day	Reactive power charge p/kVArh	Closed LLFCs / DUoS Tariff IDs
HV Site Specific Band 1	L26, L41	0	7.242	0.302	0.028	298.61	10.06	10.06	0.082	
HV Site Specific Band 2	L27, L42	0	7.242	0.302	0.028	525.10	10.06	10.06	0.082	
HV Site Specific Band 3	L28, L43	0	7.242	0.302	0.028	1016.12	10.06	10.06	0.082	
HV Site Specific Band 4	L29, L44	0	7.242	0.302	0.028	1908.16	10.06	10.06	0.082	
Unmetered Supplies	575-579, L04	0, 1 or 8	68.251	3.538	1.535					
LV Generation Aggregated	985, L05	0 or 8	-14.503	-1.156	-0.126	0.00				
LV Sub Generation Aggregated		0	-12.444	-0.931	-0.101	0.00				
LV Generation Site Specific	63, 387, L06	0	-14.503	-1.156	-0.126	0.00			0.264	
LV Generation Site Specific no RP charge	67-68, L07	0	-14.503	-1.156	-0.126	0.00				
LV Sub Generation Site Specific	64-65	0	-12.444	-0.931	-0.101	0.00			0.189	
LV Sub Generation Site Specific no RP charge	L00-L01	0	-12.444	-0.931	-0.101	0.00				
HV Generation Site Specific	66, 388	0	-7.786	-0.412	-0.041	78.08			0.159	
HV Generation Site Specific no RP charge	L02-L03	0	-7.786	-0.412	-0.041	78.08				

Annex 1 - Schedule of Charges for use of the Distribution System by LV and HV Properties in “Northern Powergrid (Yorkshire) Area (GSP Group _M)”

Southern Electric Power Distribution plc - Effective from 1st April 2026 - Final LV and HV charges in NPG Yorkshire Area (GSP Group _M)

Time Bands for LV and HV Properties			
Time periods	Red Time Band	Amber Time Band	Green Time Band
Monday to Friday (Including Bank Holidays) All Year	16:00 to 19:30	08:00 to 16:00 19:30 to 22:00	00:00 to 08:00 22:00 to 24:00
Saturday and Sunday All Year			00:00 to 24:00
Notes	All the above times are in UK Clock time		

Time Bands for Unmetered Properties			
	Black Time Band	Yellow Time Band	Green Time Band
Monday to Friday (Including Bank Holidays) November to February Inclusive	16:00 to 19:30	08:00 to 16:00 19:30 to 22:00	00:00 to 08:00 22:00 to 24:00
Monday to Friday (Including Bank Holidays) April to October Inclusive and March		08:00 to 22:00	00:00 to 08:00 22:00 to 24:00
Saturday and Sunday All Year			00:00 to 24:00
Notes	All the above times are in UK Clock time		

Tariff name	Open LLFCs / DUoS Tariff IDs	PCs	Red/black unit charge p/kWh	Amber/yellow unit charge p/kWh	Green unit charge p/kWh	Fixed charge p/MPAN/day	Capacity charge p/kVA/day	Exceeded capacity charge p/kVA/day	Reactive power charge p/kVArh	Closed LLFCs / DUoS Tariff IDs
Domestic Aggregated or CT with Residual	189, 391-392, 491-492, 522, MA0	0, 1, 2	6.786	1.819	0.212	18.03				
Domestic Aggregated (Related MPAN)	389	2	6.786	1.819	0.212					
Non-Domestic Aggregated or CT No Residual	M10, M15, M20, M30, M35, M45, M50, M55, R70, MA1	0, 3, 4, 5-8	8.165	2.188	0.255	12.11				
Non-Domestic Aggregated or CT Band 1	M11, M16, M21, M31, M36, M46, M51, M56, R71, MA2	0, 3, 4, 5-8	8.165	2.188	0.255	17.83				

Tariff name	Open LLFCs / DUoS Tariff IDs	PCs	Red/black unit charge p/kWh	Amber/yellow unit charge p/kWh	Green unit charge p/kWh	Fixed charge p/MPAN/day	Capacity charge p/kVA/day	Exceeded capacity charge p/kVA/day	Reactive power charge p/kVArh	Closed LLFCs / DUoS Tariff IDs
Non-Domestic Aggregated or CT Band 2	M12, M17, M22, M32, M37, M47, M52, M57, R72, MA3	0, 3, 4, 5-8	8.165	2.188	0.255	26.38				
Non-Domestic Aggregated or CT Band 3	M13, M18, M23, M33, M38, M48, M53, M58, R73, MA4	0, 3, 4, 5-8	8.165	2.188	0.255	41.96				
Non-Domestic Aggregated or CT Band 4	M14, M19, M24, M34, M39, M49, M54, M59, R74, MA5	0, 3, 4, 5-8	8.165	2.188	0.255	95.09				
Non-Domestic Aggregated (related MPAN)		4	8.165	2.188	0.255					
LV Site Specific No Residual	M60, R65	0	5.829	1.528	0.172	16.10	3.82	3.82	0.118	
LV Site Specific Band 1	M61, R66	0	5.829	1.528	0.172	154.80	3.82	3.82	0.118	
LV Site Specific Band 2	M62, R67	0	5.829	1.528	0.172	293.65	3.82	3.82	0.118	
LV Site Specific Band 3	M63, R68	0	5.829	1.528	0.172	433.95	3.82	3.82	0.118	
LV Site Specific Band 4	M64, R69	0	5.829	1.528	0.172	886.25	3.82	3.82	0.118	
LV Sub Site Specific No Residual	M40	0	3.714	0.923	0.094	16.10	3.07	3.07	0.068	
LV Sub Site Specific Band 1	M41	0	3.714	0.923	0.094	154.80	3.07	3.07	0.068	
LV Sub Site Specific Band 2	M42	0	3.714	0.923	0.094	293.65	3.07	3.07	0.068	
LV Sub Site Specific Band 3	M43	0	3.714	0.923	0.094	433.95	3.07	3.07	0.068	

Tariff name	Open LLFCs / DUoS Tariff IDs	PCs	Red/black unit charge p/kWh	Amber/yellow unit charge p/kWh	Green unit charge p/kWh	Fixed charge p/MPAN/day	Capacity charge p/kVA/day	Exceeded capacity charge p/kVA/day	Reactive power charge p/kVArh	Closed LLFCs / DUoS Tariff IDs
LV Sub Site Specific Band 4	M44	0	3.714	0.923	0.094	886.25	3.07	3.07	0.068	
HV Site Specific No Residual	M25	0	2.514	0.588	0.052	421.64	3.78	3.78	0.041	
HV Site Specific Band 1	M26	0	2.514	0.588	0.052	1251.41	3.78	3.78	0.041	
HV Site Specific Band 2	M27	0	2.514	0.588	0.052	2908.28	3.78	3.78	0.041	
HV Site Specific Band 3	M28	0	2.514	0.588	0.052	5506.52	3.78	3.78	0.041	
HV Site Specific Band 4	M29	0	2.514	0.588	0.052	12820.57	3.78	3.78	0.041	
Unmetered Supplies	580-584, M05	0, 1 or 8	20.504	2.393	0.890					
LV Generation Aggregated	987, M06	0 or 8	(4.895)	(1.312)	(0.153)					
LV Sub Generation Aggregated		0	(4.046)	(1.070)	(0.122)					
LV Generation Site Specific	69, 397, M07	0	(4.895)	(1.312)	(0.153)				0.091	
LV Generation Site Specific no RP charge	73-74, M08	0	(4.895)	(1.312)	(0.153)					
LV Sub Generation Site Specific	70-71	0	(4.046)	(1.070)	(0.122)				0.083	
LV Sub Generation Site Specific no RP charge	M00-M01	0	(4.046)	(1.070)	(0.122)					
HV Generation Site Specific	72, 398	0	(2.826)	(0.702)	(0.071)	93.70			0.073	
HV Generation Site Specific no RP charge	M02-M03	0	(2.826)	(0.702)	(0.071)	93.70				

Annex 2 - Schedule of Charges for use of the Distribution System by EHV Properties (including LDNOs with EHV Properties/end-users) in “Eastern Power Networks Area (GSP Group _A)”

Note: The list of MPANs / MSIDs provided may be incomplete; the DNO reserves the right to apply the listed charges to any other MPANs / MSIDs associated with the site.

Southern Electric Power Distribution plc - Effective from 1 April 2026 - Final Schedule of Charges for use of the Distribution System by EHV Properties (including LDNOs with EHV Properties/end-users) in UKPN EPN Area (GSP Group _A)

Time Periods for EHV Properties	
Time periods	Super Red Time Band
Monday to Friday (Including Bank Holidays) November to February Inclusive	16:00 - 19:00
Notes	All times are in UK Clock time

Import LLFC / DUoS Tariff ID	Import MPANs/MSIDs	Export LLFC / DUoS Tariff ID	Export MPANs/MSIDs	Tariff	Residual Charging Band	Import Super Red unit charge (p/kWh)	Import fixed charge (p/day)	Import capacity charge (p/kVA/day)	Import exceeded capacity charge (p/kVA/day)	Export Super Red unit charge (p/kWh)	Export fixed charge (p/day)	Export capacity charge (p/kVA/day)	Export exceeded capacity charge (p/kVA/day)
590	2000055139428, 2000055139330, 2000055139349, 2000055139358, 2000055139385, 2000055139455, 2000055139394, 2000055139464, 2000055139400, 2000055139473, 2000055139419, 2000055139482				3	2.776	98,495.85	1.25	1.25				
591	2000054395187, 2000054395178, 2000054395201, 2000054395196				3	0.074	109,190.62	2.13	2.13				
593	2000055139367, 2000055139437				1	2.776	11,080.78	1.25	1.25				
594	2000055139376, 2000055139446				2	2.776	62,791.11	1.25	1.25				

Note: as Site Specific Tariffs under LLFCs 590, 593 and 594 of _A area share the same LDSO boundary, the Host DNO's residual band 4 charges were apportioned between these sites rather than applied individually to each End User. The residual charging band descriptions shown above reflect the maximum import capacity of each End User.

Annex 2 - Schedule of Charges for use of the Distribution System by EHV Properties (including LDNOs with EHV Properties/end-users) in “NGED East Midlands Area (GSP Group _B)”

Note: The list of MPANs / MSIDs provided may be incomplete; the DNO reserves the right to apply the listed charges to any other MPANs / MSIDs associated with the site.

Southern Electric Power Distribution plc - Effective from 1 April 2026 - Final Schedule of Charges for use of the Distribution System by EHV Properties (including LDNOs with EHV Properties/end-users) in NGED EM Area (GSP Group _B)

Time Periods for EHV Properties	
Time periods	Super Red Time Band
Monday to Friday (Including Bank Holidays) November to February Inclusive	16:00 to 19:00
Notes	All the above times are in UK Clock time

Import LLFC / DUoS Tariff ID	Import MPANs/MSIDs	Export LLFC / DUoS Tariff ID	Export MPANs/MSIDs	Tariff	Residual Charging Band	Import Super Red unit charge (p/kWh)	Import fixed charge (p/day)	Import capacity charge (p/kVA/day)	Import exceeded capacity charge (p/kVA/day)	Export Super Red unit charge (p/kWh)	Export fixed charge (p/day)	Export capacity charge (p/kVA/day)	Export exceeded capacity charge (p/kVA/day)

Annex 2 - Schedule of Charges for use of the Distribution System by EHV Properties (including LDNOs with EHV Properties/end-users) in “London Power Networks Area (GSP Group _C)”

Note: The list of MPANs / MSIDs provided may be incomplete; the DNO reserves the right to apply the listed charges to any other MPANs / MSIDs associated with the site.

Southern Electric Power Distribution plc - Effective from 1 April 2026 - Final Schedule of Charges for use of the Distribution System by EHV Properties (including LDNOs with EHV Properties/end-users) in UKPN LPN Area (GSP Group _C)

Time Periods for EHV Properties	
Time periods	Super Red Time Band
Monday to Friday (Including Bank Holidays) June to August Inclusive	11:00 - 14:00
Monday to Friday (Including Bank Holidays) November to February Inclusive	16:00 - 19:00
Notes	All times are in UK Clock time

Import LLFC / DUoS Tariff ID	Import MPANs/MSIDs	Export LLFC / DUoS Tariff ID	Export MPANs/MSIDs	Tariff	Residual Charging Band	Import Super Red unit charge (p/kWh)	Import fixed charge (p/day)	Import capacity charge (p/kVA/day)	Import exceeded capacity charge (p/kVA/day)	Export Super Red unit charge (p/kWh)	Export fixed charge (p/day)	Export capacity charge (p/kVA/day)	Export exceeded capacity charge (p/kVA/day)

Annex 2 - Schedule of Charges for use of the Distribution System by EHV Properties (including LDNOs with EHV Properties/end-users) in “SP Manweb Area (GSP Group _D)”

Note: The list of MPANs / MSIDs provided may be incomplete; the DNO reserves the right to apply the listed charges to any other MPANs / MSIDs associated with the site.

Southern Electric Power Distribution plc - Effective from 1 April 2026 - Final Schedule of Charges for use of the Distribution System by EHV Properties (including LDNOs with EHV Properties/end-users) in SP Manweb Area (GSP Group _D)

Time Periods for EHV Properties	
Time periods	Super Red Time Band
Monday to Friday (Including Bank Holidays) June to August Inclusive	
Monday to Friday (Including Bank Holidays) November to February Inclusive	16:30 - 19:30
Notes	All the above times are in UK Clock time

Import LLFC / DUoS Tariff ID	Import MPANs/MSIDs	Export LLFC / DUoS Tariff ID	Export MPANs/MSIDs	Tariff	Residual Charging Band	Import Super Red unit charge (p/kWh)	Import fixed charge (p/day)	Import capacity charge (p/kVA/day)	Import exceeded capacity charge (p/kVA/day)	Export Super Red unit charge (p/kWh)	Export fixed charge (p/day)	Export capacity charge (p/kVA/day)	Export exceeded capacity charge (p/kVA/day)

Annex 2 - Schedule of Charges for use of the Distribution System by EHV Properties (including LDNOs with EHV Properties/end-users in “NGED West Midlands Area (GSP Group _E)”

Note: The list of MPANs / MSIDs provided may be incomplete; the DNO reserves the right to apply the listed charges to any other MPANs / MSIDs associated with the site.

Southern Electric Power Distribution plc - Effective from 1 April 2026 - Final Schedule of Charges for use of the Distribution System by EHV Properties (including LDNOs with EHV Properties/end-users) in NGED West Midlands Area (GSP Group _E)

Time Periods for EHV Properties	
Time periods	Super Red Time Band
Monday to Friday (Including Bank Holidays) November to February Inclusive	16:00 to 19:00
Notes	All the above times are in UK Clock time

Import LLFC / DUoS Tariff ID	Import MPANs/MSIDs	Export LLFC / DUoS Tariff ID	Export MPANs/MSIDs	Tariff	Residual Charging Band	Import Super Red unit charge (p/kWh)	Import fixed charge (p/day)	Import capacity charge (p/kVA/day)	Import exceeded capacity charge (p/kVA/day)	Export Super Red unit charge (p/kWh)	Export fixed charge (p/day)	Export capacity charge (p/kVA/day)	Export exceeded capacity charge (p/kVA/day)

Annex 2 - Schedule of Charges for use of the Distribution System by EHV Properties (including LDNOs with EHV Properties/end-users) in “Northern Powergrid (Northeast) Area (GSP Group _F)”

Note: The list of MPANs / MSIDs provided may be incomplete; the DNO reserves the right to apply the listed charges to any other MPANs / MSIDs associated with the site.

Southern Electric Power Distribution plc - Effective from 1 April 2026 - Final Schedule of Charges for use of the Distribution System by EHV Properties (including LDNOs with EHV Properties/end-users) in NPG Northeast Area (GSP Group _F)

Time Periods for EHV Properties	
Time periods	Super Red Time Band
Monday to Friday (Including Bank Holidays) November to February Inclusive	1600 - 1930
Notes	All the above times are in UK Clock time

Import LLFC / DUoS Tariff ID	Import MPANs/MSIDs	Export LLFC / DUoS Tariff ID	Export MPANs/MSIDs	Tariff	Residual Charging Band	Import Super Red unit charge (p/kWh)	Import fixed charge (p/day)	Import capacity charge (p/kVA/day)	Import exceeded capacity charge (p/kVA/day)	Export Super Red unit charge (p/kWh)	Export fixed charge (p/day)	Export capacity charge (p/kVA/day)	Export exceeded capacity charge (p/kVA/day)
592	2000055132478, 2000055132487				3	0.000	83,319.06	1.20	1.20				

Annex 2 - Schedule of Charges for use of the Distribution System by EHV Properties (including LDNOs with EHV Properties/end-users) in “Electricity North West Area (GSP Group _G)”

Note: The list of MPANs / MSIDs provided may be incomplete; the DNO reserves the right to apply the listed charges to any other MPANs / MSIDs associated with the site.

Southern Electric Power Distribution plc - Effective from 1 April 2026 - Final Schedule of Charges for use of the Distribution System by EHV Properties (including LDNOs with EHV Properties/end-users) in Electricity North West Area (GSP Group _G)

Time Periods for EHV Properties	
Time periods	Super Red Time Band
Monday to Friday (Including Bank Holidays) November to February Inclusive	16:00 - 19:00
Notes	All the above times are in UK Clock time

Import LLFC / DUoS Tariff ID	Import MPANs/MSIDs	Export LLFC / DUoS Tariff ID	Export MPANs/MSIDs	Tariff	Residual Charging Band	Import Super Red unit charge (p/kWh)	Import fixed charge (p/day)	Import capacity charge (p/kVA/day)	Import exceeded capacity charge (p/kVA/day)	Export Super Red unit charge (p/kWh)	Export fixed charge (p/day)	Export capacity charge (p/kVA/day)	Export exceeded capacity charge (p/kVA/day)

**Annex 2 - Schedule of Charges for use of the Distribution System by EHV Properties (including LDNOs with EHV Properties/end-users)
 “South Eastern Power Networks Area (GSP Group _J)”**

Note: The list of MPANs / MSIDs provided may be incomplete; the DNO reserves the right to apply the listed charges to any other MPANs / MSIDs associated with the site.

Southern Electric Power Distribution plc - Effective from 1 April 2026 - Final Schedule of Charges for use of the Distribution System by EHV Properties (including LDNOs with EHV Properties/end-users) in UKPN SPN Area (GSP Group _J)

Time Periods for EHV Properties	
Time periods	Super Red Time Band
Monday to Friday (Including Bank Holidays) November to February Inclusive	16:00 - 19:00
Notes	All times are in UK Clock time

Import LLFC / DUoS Tariff ID	Import MPANs/MSIDs	Export LLFC / DUoS Tariff ID	Export MPANs/MSIDs	Tariff	Residual Charging Band	Import Super Red unit charge (p/kWh)	Import fixed charge (p/day)	Import capacity charge (p/kVA/day)	Import exceeded capacity charge (p/kVA/day)	Export Super Red unit charge (p/kWh)	Export fixed charge (p/day)	Export capacity charge (p/kVA/day)	Export exceeded capacity charge (p/kVA/day)
773	2000055540650, 2000055540660				3	0.006	136,300.01	0.99	0.99				

Annex 2 - Schedule of Charges for use of the Distribution System by EHV Properties (including LDNOs with EHV Properties/end-users) in “NGED South Wales Area (GSP Group _K)”

Note: The list of MPANs / MSIDs provided may be incomplete; the DNO reserves the right to apply the listed charges to any other MPANs / MSIDs associated with the site.

Southern Electric Power Distribution plc - Effective from 1 April 2026 - Final Schedule of Charges for use of the Distribution System by EHV Properties (including LDNOs with EHV Properties/end-users) in NGED South Wales Area (GSP Group _K)

Time Periods for EHV Properties	
Time periods	Super Red Time Band
Monday to Friday (Including Bank Holidays) November to February Inclusive (excluding 22nd Dec to 4th Jan inclusive)	17:00 - 19:30
Notes	All the above times are in UK Clock time

Import LLFC / DUoS Tariff ID	Import MPANs/MSIDs	Export LLFC / DUoS Tariff ID	Export MPANs/MSIDs	Tariff	Residual Charging Band	Import Super Red unit charge (p/kWh)	Import fixed charge (p/day)	Import capacity charge (p/kVA/day)	Import exceeded capacity charge (p/kVA/day)	Export Super Red unit charge (p/kWh)	Export fixed charge (p/day)	Export capacity charge (p/kVA/day)	Export exceeded capacity charge (p/kVA/day)

Annex 2 - Schedule of Charges for use of the Distribution System by EHV Properties (including LDNOs with EHV Properties/end-users) in “NGED South West Area (GSP Group _L)”

Note: The list of MPANs / MSIDs provided may be incomplete; the DNO reserves the right to apply the listed charges to any other MPANs / MSIDs associated with the site.

Southern Electric Power Distribution plc - Effective from 1 April 2026 - Final Schedule of Charges for use of the Distribution System by EHV Properties (including LDNOs with EHV Properties/end-users) in NGED South West Area (GSP Group _L)

Time Periods for EHV Properties	
Time periods	Super Red Time Band
Monday to Friday (Including Bank Holidays) November to February Inclusive (excluding 22nd Dec to 4th Jan inclusive)	17:00 - 19:00
Notes	All the above times are in UK Clock time

Import LLFC / DUoS Tariff ID	Import MPANs/MSIDs	Export LLFC / DUoS Tariff ID	Export MPANs/MSIDs	Tariff	Residual Charging Band	Import Super Red unit charge (p/kWh)	Import fixed charge (p/day)	Import capacity charge (p/kVA/day)	Import exceeded capacity charge (p/kVA/day)	Export Super Red unit charge (p/kWh)	Export fixed charge (p/day)	Export capacity charge (p/kVA/day)	Export exceeded capacity charge (p/kVA/day)

Annex 2 - Schedule of Charges for use of the Distribution System by EHV Properties (including LDNOs with EHV Properties/end-users) in “Northern Powergrid (Yorkshire) Area (GSP Group _M)

Note: The list of MPANs / MSIDs provided may be incomplete; the DNO reserves the right to apply the listed charges to any other MPANs / MSIDs associated with the site.

Southern Electric Power Distribution plc - Effective from 1 April 2026 - Final Schedule of Charges for use of the Distribution System by EHV Properties (including LDNOs with EHV Properties/end-users) in NPG Yorkshire Area (GSP Group _M)

Time Periods for EHV Properties	
Time periods	Super Red Time Band
Monday to Friday (Including Bank Holidays) November to February Inclusive	1600 – 1930
Notes	All the above times are in UK Clock time

Import LLFC / DUoS Tariff ID	Import MPANs/MSIDs	Export LLFC / DUoS Tariff ID	Export MPANs/MSIDs	Tariff	Residual Charging Band	Import Super Red unit charge (p/kWh)	Import fixed charge (p/day)	Import capacity charge (p/kVA/day)	Import exceeded capacity charge (p/kVA/day)	Export Super Red unit charge (p/kWh)	Export fixed charge (p/day)	Export capacity charge (p/kVA/day)	Export exceeded capacity charge (p/kVA/day)

Annex 3 - Schedule of Charges for use of the Distribution System to Preserved/Additional LLFC Classes in E&W

Southern Electric Power Distribution plc - Effective from 1 April 2026 - Final LV and HV tariffs in E & W									
Supercustomer preserved charges / additional LLFCs / DUoS Tariff IDs									
	Closed LLFCs / DUoS Tariff IDs	PCs	Red/black unit charge p/kWh	Amber/yellow unit charge p/kWh	Green unit charge p/kWh	Fixed charge p/MPAN/day			
Notes:									

Site Specific preserved charges / additional LLFCs / DUoS Tariff IDs									
	Closed LLFCs / DUoS Tariff IDs	PCs	Red/black unit charge p/kWh	Amber/yellow unit charge p/kWh	Green unit charge p/kWh	Fixed charge p/MPAN/day	Capacity charge p/kVA/day	Exceeded capacity charge p/kVA/day	Reactive power charge p/kVArh
		0							
Notes:									

Annex 4 - Charges applied to LDNOs with HV/LV end users in “Eastern Power Networks Area (GSP Group _A)”

Southern Electric Power Distribution plc - Effective from 1st April 2026 - Final LDNO tariffs in UKPN EPN Area (GSP Group _A)

Time Bands for LV and HV Properties			
Time periods	Red Time Band	Amber Time Band	Green Time Band
Monday to Friday (Including Bank Holidays) All Year	16:00 - 19:00	07:00 - 16:00 19:00 - 23:00	00:00 - 07:00 23:00 - 24:00
Saturday and Sunday All Year			00:00 - 24:00
Notes	All times are in UK Clock time		

Time Bands for Unmetered Properties			
	Black Time Band	Yellow Time Band	Green Time Band
Monday to Friday (Including Bank Holidays) November to February Inclusive	16:00 - 19:00	07:00 - 16:00 19:00 - 23:00	00:00 - 07:00 23:00 - 24:00
Monday to Friday (Including Bank Holidays) March to October Inclusive		07:00 - 23:00	00:00 - 07:00 23:00 - 24:00
Saturday and Sunday All Year			00:00 - 24:00
Notes	All times are in UK Clock time		

Tariff name	Unique billing identifier	PCs	Red/black unit charge p/kWh	Amber/yellow unit charge p/kWh	Green unit charge p/kWh	Fixed charge p/MPAN/day	Capacity charge p/kVA/day	Exceeded capacity charge p/kVA/day	Reactive power charge p/kVArh
LDNO LV: Domestic Aggregated or CT with Residual		0, 1, 2	10.228	1.259	0.161	5.98			
LDNO LV: Domestic Aggregated (related MPAN)		2	10.228	1.259	0.161				
LDNO LV: Non-Domestic Aggregated or CT No Residual		0, 3, 4, 5-8	7.735	0.952	0.122	6.22			
LDNO LV: Non-Domestic Aggregated or CT Band 1		0, 3, 4, 5-8	7.735	0.952	0.122	6.37			
LDNO LV: Non-Domestic Aggregated or CT Band 2		0, 3, 4, 5-8	7.735	0.952	0.122	6.66			
LDNO LV: Non-Domestic Aggregated or CT Band 3		0, 3, 4, 5-8	7.735	0.952	0.122	7.14			
LDNO LV: Non-Domestic Aggregated or CT Band 4		0, 3, 4, 5-8	7.735	0.952	0.122	8.61			
LDNO LV: Non-Domestic Aggregated (related MPAN)		4	7.735	0.952	0.122				
LDNO LV: LV Site Specific No Residual		0	5.380	0.619	0.071	14.19	5.31	5.31	0.244
LDNO LV: LV Site Specific Band 1		0	5.380	0.619	0.071	18.93	5.31	5.31	0.244
LDNO LV: LV Site Specific Band 2		0	5.380	0.619	0.071	21.85	5.31	5.31	0.244
LDNO LV: LV Site Specific Band 3		0	5.380	0.619	0.071	24.72	5.31	5.31	0.244
LDNO LV: LV Site Specific Band 4		0	5.380	0.619	0.071	44.01	5.31	5.31	0.244

Tariff name	Unique billing identifier	PCs	Red/black unit charge p/kWh	Amber/yellow unit charge p/kWh	Green unit charge p/kWh	Fixed charge p/MPAN/day	Capacity charge p/kVA/day	Exceeded capacity charge p/kVA/day	Reactive power charge p/kVArh
LDNO LV: Unmetered Supplies		0, 1 or 8	26.387	2.235	1.354				
LDNO LV: LV Generation Aggregated		0, 8	-9.135	-1.124	-0.144	0.00			
LDNO LV: LV Generation Site Specific		0	-9.135	-1.124	-0.144	0.00			0.459
LDNO HV: Domestic Aggregated or CT with Residual		0, 1, 2	7.848	0.966	0.123	4.59			
LDNO HV: Domestic Aggregated (Related MPAN)		2	7.848	0.966	0.123				
LDNO HV: Non-Domestic Aggregated or CT No Residual		0, 3, 4, 5-8	5.935	0.730	0.093	4.77			
LDNO HV: Non-Domestic Aggregated or CT Band 1		0, 3, 4, 5-8	5.935	0.730	0.093	4.89			
LDNO HV: Non-Domestic Aggregated or CT Band 2		0, 3, 4, 5-8	5.935	0.730	0.093	5.11			
LDNO HV: Non-Domestic Aggregated or CT Band 3		0, 3, 4, 5-8	5.935	0.730	0.093	5.48			
LDNO HV: Non-Domestic Aggregated or CT Band 4		0, 3, 4, 5-8	5.935	0.730	0.093	6.60			
LDNO HV: Non-Domestic Aggregated (related MPAN)		4	5.935	0.730	0.093				
LDNO HV: LV Site Specific No Residual		0	4.128	0.475	0.055	10.89	4.07	4.07	0.187
LDNO HV: LV Site Specific Band 1		0	4.128	0.475	0.055	14.52	4.07	4.07	0.187
LDNO HV: LV Site Specific Band 2		0	4.128	0.475	0.055	16.76	4.07	4.07	0.187
LDNO HV: LV Site Specific Band 3		0	4.128	0.475	0.055	18.97	4.07	4.07	0.187
LDNO HV: LV Site Specific Band 4		0	4.128	0.475	0.055	33.77	4.07	4.07	0.187
LDNO HV: LV Sub Site Specific No Residual		0	4.297	0.440	0.041	14.01	4.73	4.73	0.172
LDNO HV: LV Sub Site Specific Band 1		0	4.297	0.440	0.041	19.61	4.73	4.73	0.172
LDNO HV: LV Sub Site Specific Band 2		0	4.297	0.440	0.041	23.06	4.73	4.73	0.172
LDNO HV: LV Sub Site Specific Band 3		0	4.297	0.440	0.041	26.46	4.73	4.73	0.172
LDNO HV: LV Sub Site Specific Band 4		0	4.297	0.440	0.041	49.26	4.73	4.73	0.172
LDNO HV: HV Site Specific No Residual		0	4.236	0.400	0.033	159.13	4.65	4.65	0.160
LDNO HV: HV Site Specific Band 1		0	4.236	0.400	0.033	210.84	4.65	4.65	0.160
LDNO HV: HV Site Specific Band 2		0	4.236	0.400	0.033	267.52	4.65	4.65	0.160
LDNO HV: HV Site Specific Band 3		0	4.236	0.400	0.033	357.51	4.65	4.65	0.160
LDNO HV: HV Site Specific Band 4		0	4.236	0.400	0.033	749.23	4.65	4.65	0.160
LDNO HV: Unmetered Supplies		0, 1 or 8	20.247	1.715	1.039				
LDNO HV: LV Generation Aggregated		0, 8	-9.135	-1.124	-0.144	0.00			
LDNO HV: LV Sub Generation Aggregated		0	-7.369	-0.865	-0.103	0.00			
LDNO HV: LV Generation Site Specific		0	-9.135	-1.124	-0.144	0.00			0.459
LDNO HV: LV Sub Generation Site Specific		0	-7.369	-0.865	-0.103	0.00			0.328
LDNO HV: HV Generation Site Specific		0	-5.466	-0.559	-0.052	0.00			0.277

Tariff name	Unique billing identifier	PCs	Red/black unit charge p/kWh	Amber/yellow unit charge p/kWh	Green unit charge p/kWh	Fixed charge p/MPAN/day	Capacity charge p/kVA/day	Exceeded capacity charge p/kVA/day	Reactive power charge p/kVArh
LDNO HVplus: Domestic Aggregated or CT with Residual		0, 1, 2	6.764	0.833	0.106	3.95			
LDNO HVplus: Domestic Aggregated (related MPAN)		2	6.764	0.833	0.106				
LDNO HVplus: Non-Domestic Aggregated or CT No Residual		0, 3, 4, 5-8	5.116	0.630	0.080	4.11			
LDNO HVplus: Non-Domestic Aggregated or CT Band 1		0, 3, 4, 5-8	5.116	0.630	0.080	4.21			
LDNO HVplus: Non-Domestic Aggregated or CT Band 2		0, 3, 4, 5-8	5.116	0.630	0.080	4.40			
LDNO HVplus: Non-Domestic Aggregated or CT Band 3		0, 3, 4, 5-8	5.116	0.630	0.080	4.72			
LDNO HVplus: Non-Domestic Aggregated or CT Band 4		0, 3, 4, 5-8	5.116	0.630	0.080	5.69			
LDNO HVplus: Non-Domestic Aggregated (related MPAN)		4	5.116	0.630	0.080				
LDNO HVplus: LV Site Specific No Residual		0	3.558	0.409	0.047	9.39	3.51	3.51	0.161
LDNO HVplus: LV Site Specific Band 1		0	3.558	0.409	0.047	12.52	3.51	3.51	0.161
LDNO HVplus: LV Site Specific Band 2		0	3.558	0.409	0.047	14.45	3.51	3.51	0.161
LDNO HVplus: LV Site Specific Band 3		0	3.558	0.409	0.047	16.35	3.51	3.51	0.161
LDNO HVplus: LV Site Specific Band 4		0	3.558	0.409	0.047	29.11	3.51	3.51	0.161
LDNO HVplus: LV Sub Site Specific No Residual		0	3.598	0.368	0.034	11.73	3.96	3.96	0.144
LDNO HVplus: LV Sub Site Specific Band 1		0	3.598	0.368	0.034	16.42	3.96	3.96	0.144
LDNO HVplus: LV Sub Site Specific Band 2		0	3.598	0.368	0.034	19.30	3.96	3.96	0.144
LDNO HVplus: LV Sub Site Specific Band 3		0	3.598	0.368	0.034	22.15	3.96	3.96	0.144
LDNO HVplus: LV Sub Site Specific Band 4		0	3.598	0.368	0.034	41.24	3.96	3.96	0.144
LDNO HVplus: HV Site Specific No Residual		0	3.502	0.331	0.027	131.55	3.84	3.84	0.132
LDNO HVplus: HV Site Specific Band 1		0	3.502	0.331	0.027	174.31	3.84	3.84	0.132
LDNO HVplus: HV Site Specific Band 2		0	3.502	0.331	0.027	221.16	3.84	3.84	0.132
LDNO HVplus: HV Site Specific Band 3		0	3.502	0.331	0.027	295.56	3.84	3.84	0.132
LDNO HVplus: HV Site Specific Band 4		0	3.502	0.331	0.027	619.41	3.84	3.84	0.132
LDNO HVplus: Unmetered Supplies		0, 1 or 8	17.451	1.478	0.895				
LDNO HVplus: LV Generation Aggregated		0, 8	-5.969	-0.735	-0.094	0.00			
LDNO HVplus: LV Sub Generation Aggregated		0	-5.335	-0.626	-0.075	0.00			
LDNO HVplus: LV Generation Site Specific		0	-5.969	-0.735	-0.094	0.00			0.300
LDNO HVplus: LV Sub Generation Site Specific		0	-5.335	-0.626	-0.075	0.00			0.237
LDNO HVplus: HV Generation Site Specific		0	-5.466	-0.559	-0.052	12.88			0.277
LDNO EHV: Domestic Aggregated or CT with Residual		0, 1, 2	5.165	0.636	0.081	3.02			

Tariff name	Unique billing identifier	PCs	Red/black unit charge p/kWh	Amber/yellow unit charge p/kWh	Green unit charge p/kWh	Fixed charge p/MPAN/day	Capacity charge p/kVA/day	Exceeded capacity charge p/kVA/day	Reactive power charge p/kVArh
LDNO EHV: Domestic Aggregated (related MPAN)		2	5.165	0.636	0.081				
LDNO EHV: Non-Domestic Aggregated or CT No Residual		0, 3, 4, 5-8	3.906	0.481	0.061	3.14			
LDNO EHV: Non-Domestic Aggregated or CT Band 1		0, 3, 4, 5-8	3.906	0.481	0.061	3.22			
LDNO EHV: Non-Domestic Aggregated or CT Band 2		0, 3, 4, 5-8	3.906	0.481	0.061	3.36			
LDNO EHV: Non-Domestic Aggregated or CT Band 3		0, 3, 4, 5-8	3.906	0.481	0.061	3.61			
LDNO EHV: Non-Domestic Aggregated or CT Band 4		0, 3, 4, 5-8	3.906	0.481	0.061	4.35			
LDNO EHV: Non-Domestic Aggregated (related MPAN)		4	3.906	0.481	0.061				
LDNO EHV: LV Site Specific No Residual		0	2.717	0.312	0.036	7.17	2.68	2.68	0.123
LDNO EHV: LV Site Specific Band 1		0	2.717	0.312	0.036	9.56	2.68	2.68	0.123
LDNO EHV: LV Site Specific Band 2		0	2.717	0.312	0.036	11.03	2.68	2.68	0.123
LDNO EHV: LV Site Specific Band 3		0	2.717	0.312	0.036	12.49	2.68	2.68	0.123
LDNO EHV: LV Site Specific Band 4		0	2.717	0.312	0.036	22.23	2.68	2.68	0.123
LDNO EHV: LV Sub Site Specific No Residual		0	2.747	0.281	0.026	8.96	3.02	3.02	0.110
LDNO EHV: LV Sub Site Specific Band 1		0	2.747	0.281	0.026	12.54	3.02	3.02	0.110
LDNO EHV: LV Sub Site Specific Band 2		0	2.747	0.281	0.026	14.74	3.02	3.02	0.110
LDNO EHV: LV Sub Site Specific Band 3		0	2.747	0.281	0.026	16.91	3.02	3.02	0.110
LDNO EHV: LV Sub Site Specific Band 4		0	2.747	0.281	0.026	31.49	3.02	3.02	0.110
LDNO EHV: HV Site Specific No Residual		0	2.674	0.253	0.021	100.46	2.93	2.93	0.101
LDNO EHV: HV Site Specific Band 1		0	2.674	0.253	0.021	133.11	2.93	2.93	0.101
LDNO EHV: HV Site Specific Band 2		0	2.674	0.253	0.021	168.89	2.93	2.93	0.101
LDNO EHV: HV Site Specific Band 3		0	2.674	0.253	0.021	225.70	2.93	2.93	0.101
LDNO EHV: HV Site Specific Band 4		0	2.674	0.253	0.021	473.00	2.93	2.93	0.101
LDNO EHV: Unmetered Supplies		0, 1 or 8	13.326	1.129	0.684				
LDNO EHV: LV Generation Aggregated		0, 8	-4.558	-0.561	-0.072	0.00			
LDNO EHV: LV Sub Generation Aggregated		0	-4.074	-0.478	-0.057	0.00			
LDNO EHV: LV Generation Site Specific		0	-4.558	-0.561	-0.072	0.00			0.229
LDNO EHV: LV Sub Generation Site Specific		0	-4.074	-0.478	-0.057	0.00			0.181
LDNO EHV: HV Generation Site Specific		0	-4.174	-0.427	-0.039	9.84			0.212
LDNO 132kV/EHV: Domestic Aggregated or CT with Residual		0, 1, 2	3.869	0.476	0.061	2.26			
LDNO 132kV/EHV: Domestic Aggregated (related MPAN)		2	3.869	0.476	0.061				

Tariff name	Unique billing identifier	PCs	Red/black unit charge p/kWh	Amber/yellow unit charge p/kWh	Green unit charge p/kWh	Fixed charge p/MPAN/day	Capacity charge p/kVA/day	Exceeded capacity charge p/kVA/day	Reactive power charge p/kVArh
LDNO 132kV/EHV: Non-Domestic Aggregated or CT No Residual		0, 3, 4, 5-8	2.926	0.360	0.046	2.35			
LDNO 132kV/EHV: Non-Domestic Aggregated or CT Band 1		0, 3, 4, 5-8	2.926	0.360	0.046	2.41			
LDNO 132kV/EHV: Non-Domestic Aggregated or CT Band 2		0, 3, 4, 5-8	2.926	0.360	0.046	2.52			
LDNO 132kV/EHV: Non-Domestic Aggregated or CT Band 3		0, 3, 4, 5-8	2.926	0.360	0.046	2.70			
LDNO 132kV/EHV: Non-Domestic Aggregated or CT Band 4		0, 3, 4, 5-8	2.926	0.360	0.046	3.26			
LDNO 132kV/EHV: Non-Domestic Aggregated (related MPAN)		4	2.926	0.360	0.046				
LDNO 132kV/EHV: LV Site Specific No Residual		0	2.035	0.234	0.027	5.37	2.01	2.01	0.092
LDNO 132kV/EHV: LV Site Specific Band 1		0	2.035	0.234	0.027	7.16	2.01	2.01	0.092
LDNO 132kV/EHV: LV Site Specific Band 2		0	2.035	0.234	0.027	8.26	2.01	2.01	0.092
LDNO 132kV/EHV: LV Site Specific Band 3		0	2.035	0.234	0.027	9.35	2.01	2.01	0.092
LDNO 132kV/EHV: LV Site Specific Band 4		0	2.035	0.234	0.027	16.65	2.01	2.01	0.092
LDNO 132kV/EHV: LV Sub Site Specific No Residual		0	2.058	0.211	0.019	6.71	2.26	2.26	0.082
LDNO 132kV/EHV: LV Sub Site Specific Band 1		0	2.058	0.211	0.019	9.39	2.26	2.26	0.082
LDNO 132kV/EHV: LV Sub Site Specific Band 2		0	2.058	0.211	0.019	11.04	2.26	2.26	0.082
LDNO 132kV/EHV: LV Sub Site Specific Band 3		0	2.058	0.211	0.019	12.67	2.26	2.26	0.082
LDNO 132kV/EHV: LV Sub Site Specific Band 4		0	2.058	0.211	0.019	23.59	2.26	2.26	0.082
LDNO 132kV/EHV: HV Site Specific No Residual		0	2.003	0.189	0.016	75.24	2.20	2.20	0.076
LDNO 132kV/EHV: HV Site Specific Band 1		0	2.003	0.189	0.016	99.70	2.20	2.20	0.076
LDNO 132kV/EHV: HV Site Specific Band 2		0	2.003	0.189	0.016	126.50	2.20	2.20	0.076
LDNO 132kV/EHV: HV Site Specific Band 3		0	2.003	0.189	0.016	169.05	2.20	2.20	0.076
LDNO 132kV/EHV: HV Site Specific Band 4		0	2.003	0.189	0.016	354.28	2.20	2.20	0.076
LDNO 132kV/EHV: Unmetered Supplies		0, 1 or 8	9.982	0.845	0.512				
LDNO 132kV/EHV: LV Generation Aggregated		0, 8	-3.414	-0.420	-0.054	0.00			
LDNO 132kV/EHV: LV Sub Generation Aggregated		0	-3.052	-0.358	-0.043	0.00			
LDNO 132kV/EHV: LV Generation Site Specific		0	-3.414	-0.420	-0.054	0.00			0.172
LDNO 132kV/EHV: LV Sub Generation Site Specific		0	-3.052	-0.358	-0.043	0.00			0.136
LDNO 132kV/EHV: HV Generation Site Specific		0	-3.126	-0.320	-0.030	7.37			0.159
LDNO 132kV: Domestic Aggregated or CT with Residual		0, 1, 2	2.603	0.320	0.041	1.52			
LDNO 132kV: Domestic Aggregated (related MPAN)		2	2.603	0.320	0.041				

Tariff name	Unique billing identifier	PCs	Red/black unit charge p/kWh	Amber/yellow unit charge p/kWh	Green unit charge p/kWh	Fixed charge p/MPAN/day	Capacity charge p/kVA/day	Exceeded capacity charge p/kVA/day	Reactive power charge p/kVArh
LDNO 132kV: Non-Domestic Aggregated or CT No Residual		0, 3, 4, 5-8	1.968	0.242	0.031	1.58			
LDNO 132kV: Non-Domestic Aggregated or CT Band 1		0, 3, 4, 5-8	1.968	0.242	0.031	1.62			
LDNO 132kV: Non-Domestic Aggregated or CT Band 2		0, 3, 4, 5-8	1.968	0.242	0.031	1.69			
LDNO 132kV: Non-Domestic Aggregated or CT Band 3		0, 3, 4, 5-8	1.968	0.242	0.031	1.82			
LDNO 132kV: Non-Domestic Aggregated or CT Band 4		0, 3, 4, 5-8	1.968	0.242	0.031	2.19			
LDNO 132kV: Non-Domestic Aggregated (related MPAN)		4	1.968	0.242	0.031				
LDNO 132kV: LV Site Specific No Residual		0	1.369	0.157	0.018	3.61	1.35	1.35	0.062
LDNO 132kV: LV Site Specific Band 1		0	1.369	0.157	0.018	4.82	1.35	1.35	0.062
LDNO 132kV: LV Site Specific Band 2		0	1.369	0.157	0.018	5.56	1.35	1.35	0.062
LDNO 132kV: LV Site Specific Band 3		0	1.369	0.157	0.018	6.29	1.35	1.35	0.062
LDNO 132kV: LV Site Specific Band 4		0	1.369	0.157	0.018	11.20	1.35	1.35	0.062
LDNO 132kV: LV Sub Site Specific No Residual		0	1.384	0.142	0.013	4.51	1.52	1.52	0.055
LDNO 132kV: LV Sub Site Specific Band 1		0	1.384	0.142	0.013	6.32	1.52	1.52	0.055
LDNO 132kV: LV Sub Site Specific Band 2		0	1.384	0.142	0.013	7.43	1.52	1.52	0.055
LDNO 132kV: LV Sub Site Specific Band 3		0	1.384	0.142	0.013	8.52	1.52	1.52	0.055
LDNO 132kV: LV Sub Site Specific Band 4		0	1.384	0.142	0.013	15.87	1.52	1.52	0.055
LDNO 132kV: HV Site Specific No Residual		0	1.347	0.127	0.010	50.62	1.48	1.48	0.051
LDNO 132kV: HV Site Specific Band 1		0	1.347	0.127	0.010	67.07	1.48	1.48	0.051
LDNO 132kV: HV Site Specific Band 2		0	1.347	0.127	0.010	85.09	1.48	1.48	0.051
LDNO 132kV: HV Site Specific Band 3		0	1.347	0.127	0.010	113.72	1.48	1.48	0.051
LDNO 132kV: HV Site Specific Band 4		0	1.347	0.127	0.010	238.32	1.48	1.48	0.051
LDNO 132kV: Unmetered Supplies		0, 1 or 8	6.714	0.569	0.345				
LDNO 132kV: LV Generation Aggregated		0, 8	-2.297	-0.283	-0.036	0.00			
LDNO 132kV: LV Sub Generation Aggregated		0	-2.053	-0.241	-0.029	0.00			
LDNO 132kV: LV Generation Site Specific		0	-2.297	-0.283	-0.036	0.00			0.116
LDNO 132kV: LV Sub Generation Site Specific		0	-2.053	-0.241	-0.029	0.00			0.091
LDNO 132kV: HV Generation Site Specific		0	-2.103	-0.215	-0.020	4.96			0.107
LDNO 0000: Domestic Aggregated or CT with Residual		0, 1, 2	0.583	0.072	0.009	0.34			
LDNO 0000: Domestic Aggregated (related MPAN)		2	0.583	0.072	0.009				
LDNO 0000: Non-Domestic Aggregated or CT No Residual		0, 3, 4, 5-8	0.441	0.054	0.007	0.35			
LDNO 0000: Non-Domestic Aggregated or CT Band 1		0, 3, 4, 5-8	0.441	0.054	0.007	0.36			

Tariff name	Unique billing identifier	PCs	Red/black unit charge p/kWh	Amber/yellow unit charge p/kWh	Green unit charge p/kWh	Fixed charge p/MPAN/day	Capacity charge p/kVA/day	Exceeded capacity charge p/kVA/day	Reactive power charge p/kVArh
LDNO 0000: Non-Domestic Aggregated or CT Band 2		0, 3, 4, 5-8	0.441	0.054	0.007	0.38			
LDNO 0000: Non-Domestic Aggregated or CT Band 3		0, 3, 4, 5-8	0.441	0.054	0.007	0.41			
LDNO 0000: Non-Domestic Aggregated or CT Band 4		0, 3, 4, 5-8	0.441	0.054	0.007	0.49			
LDNO 0000: Non-Domestic Aggregated (related MPAN)		4	0.441	0.054	0.007				
LDNO 0000: LV Site Specific No Residual		0	0.307	0.035	0.004	0.81	0.30	0.30	0.014
LDNO 0000: LV Site Specific Band 1		0	0.307	0.035	0.004	1.08	0.30	0.30	0.014
LDNO 0000: LV Site Specific Band 2		0	0.307	0.035	0.004	1.25	0.30	0.30	0.014
LDNO 0000: LV Site Specific Band 3		0	0.307	0.035	0.004	1.41	0.30	0.30	0.014
LDNO 0000: LV Site Specific Band 4		0	0.307	0.035	0.004	2.51	0.30	0.30	0.014
LDNO 0000: LV Sub Site Specific No Residual		0	0.310	0.032	0.003	1.01	0.34	0.34	0.012
LDNO 0000: LV Sub Site Specific Band 1		0	0.310	0.032	0.003	1.42	0.34	0.34	0.012
LDNO 0000: LV Sub Site Specific Band 2		0	0.310	0.032	0.003	1.66	0.34	0.34	0.012
LDNO 0000: LV Sub Site Specific Band 3		0	0.310	0.032	0.003	1.91	0.34	0.34	0.012
LDNO 0000: LV Sub Site Specific Band 4		0	0.310	0.032	0.003	3.56	0.34	0.34	0.012
LDNO 0000: HV Site Specific No Residual		0	0.302	0.029	0.002	11.35	0.33	0.33	0.011
LDNO 0000: HV Site Specific Band 1		0	0.302	0.029	0.002	15.03	0.33	0.33	0.011
LDNO 0000: HV Site Specific Band 2		0	0.302	0.029	0.002	19.07	0.33	0.33	0.011
LDNO 0000: HV Site Specific Band 3		0	0.302	0.029	0.002	25.49	0.33	0.33	0.011
LDNO 0000: HV Site Specific Band 4		0	0.302	0.029	0.002	53.42	0.33	0.33	0.011
LDNO 0000: Unmetered Supplies		0, 1 or 8	1.505	0.127	0.077				
LDNO 0000: LV Generation Aggregated		0, 8	-0.515	-0.063	-0.008	0.00			
LDNO 0000: LV Sub Generation Aggregated		0	-0.460	-0.054	-0.006	0.00			
LDNO 0000: LV Generation Site Specific		0	-0.515	-0.063	-0.008	0.00			0.026
LDNO 0000: LV Sub Generation Site Specific		0	-0.460	-0.054	-0.006	0.00			0.020
LDNO 0000: HV Generation Site Specific		0	-0.471	-0.048	-0.004	1.11			0.024

Annex 4 - Charges applied to LDNOs with HV/LV end users in “NGED East Midlands Area (GSP Group _B)”

Southern Electric Power Distribution plc - Effective from 1st April 2026 - Final LDNO tariffs in NGED EM Area (GSP Group _B)

Time Bands for LV and HV Properties			
Time periods	Red Time Band	Amber Time Band	Green Time Band
Monday to Friday (Including Bank Holidays) All Year	16:00 to 19:00	07:30 to 16:00 19:00 to 21:00	00:00 to 07:30 21:00 to 24:00
Saturday and Sunday All Year			00:00 to 24:00
Notes	All the above times are in UK Clock time		

Time Bands for Unmetered Properties			
	Black Time Band	Yellow Time Band	Green Time Band
Monday to Friday (Including Bank Holidays) Nov to Feb Inclusive	16:00 to 19:00	07:30 to 16:00 19:00 to 21:00	00:00 to 07:30 21:00 to 24:00
Monday to Friday (Including Bank Holidays) Mar to Oct Inclusive		07:30 to 21:00	00:00 to 07:30 21:00 to 24:00
Saturday and Sunday All Year			00:00 to 24:00
Notes	All the above times are in UK Clock time		

Tariff name	Unique billing identifier	PCs	Red/black unit charge p/kWh	Amber/yellow unit charge p/kWh	Green unit charge p/kWh	Fixed charge p/MPAN/day	Capacity charge p/kVA/day	Exceeded capacity charge p/kVA/day	Reactive power charge p/kVArh
LDNO LV: Domestic Aggregated or CT with Residual		0, 1, 2	8.171	1.057	0.063	5.86			
LDNO LV: Domestic Aggregated (related MPAN)		2	8.171	1.057	0.063				
LDNO LV: Non-Domestic Aggregated or CT No Residual		0, 3, 4, 5-8	8.274	1.071	0.064	7.93			
LDNO LV: Non-Domestic Aggregated or CT Band 1		0, 3, 4, 5-8	8.274	1.071	0.064	8.66			
LDNO LV: Non-Domestic Aggregated or CT Band 2		0, 3, 4, 5-8	8.274	1.071	0.064	10.71			
LDNO LV: Non-Domestic Aggregated or CT Band 3		0, 3, 4, 5-8	8.274	1.071	0.064	14.05			
LDNO LV: Non-Domestic Aggregated or CT Band 4		0, 3, 4, 5-8	8.274	1.071	0.064	24.08			
LDNO LV: Non-Domestic Aggregated (related MPAN)		4	8.274	1.071	0.064				
LDNO LV: LV Site Specific No Residual		0	5.349	0.659	0.037	9.38	5.28	5.28	0.168
LDNO LV: LV Site Specific Band 1		0	5.349	0.659	0.037	38.33	5.28	5.28	0.168
LDNO LV: LV Site Specific Band 2		0	5.349	0.659	0.037	58.52	5.28	5.28	0.168
LDNO LV: LV Site Specific Band 3		0	5.349	0.659	0.037	88.72	5.28	5.28	0.168

Tariff name	Unique billing identifier	PCs	Red/black unit charge p/kWh	Amber/yellow unit charge p/kWh	Green unit charge p/kWh	Fixed charge p/MPAN/day	Capacity charge p/kVA/day	Exceeded capacity charge p/kVA/day	Reactive power charge p/kVArh
LDNO LV: LV Site Specific Band 4		0	5.349	0.659	0.037	164.88	5.28	5.28	0.168
LDNO LV: Unmetered Supplies		0, 1 or 8	22.610	2.075	0.845				
LDNO LV: LV Generation Aggregated		0	-7.711	-0.998	-0.060	0.00			
LDNO LV: LV Generation Site Specific		0	-7.711	-0.998	-0.060	0.00			0.279
LDNO HV: Domestic Aggregated or CT with Residual		0, 1, 2	6.454	0.835	0.050	4.63			
LDNO HV: Domestic Aggregated (Related MPAN)		2	6.454	0.835	0.050				
LDNO HV: Non-Domestic Aggregated or CT No Residual		0, 3, 4, 5-8	6.535	0.846	0.051	6.26			
LDNO HV: Non-Domestic Aggregated or CT Band 1		0, 3, 4, 5-8	6.535	0.846	0.051	6.84			
LDNO HV: Non-Domestic Aggregated or CT Band 2		0, 3, 4, 5-8	6.535	0.846	0.051	8.46			
LDNO HV: Non-Domestic Aggregated or CT Band 3		0, 3, 4, 5-8	6.535	0.846	0.051	11.10			
LDNO HV: Non-Domestic Aggregated or CT Band 4		0, 3, 4, 5-8	6.535	0.846	0.051	19.02			
LDNO HV: Non-Domestic Aggregated (related MPAN)		4	6.535	0.846	0.051				
LDNO HV: LV Site Specific No Residual		0	4.225	0.520	0.029	7.41	4.17	4.17	0.132
LDNO HV: LV Site Specific Band 1		0	4.225	0.520	0.029	30.27	4.17	4.17	0.132
LDNO HV: LV Site Specific Band 2		0	4.225	0.520	0.029	46.22	4.17	4.17	0.132
LDNO HV: LV Site Specific Band 3		0	4.225	0.520	0.029	70.08	4.17	4.17	0.132
LDNO HV: LV Site Specific Band 4		0	4.225	0.520	0.029	130.23	4.17	4.17	0.132
LDNO HV: LV Sub Site Specific No Residual		0	4.158	0.453	0.022	8.60	5.98	5.98	0.126
LDNO HV: LV Sub Site Specific Band 1		0	4.158	0.453	0.022	42.60	5.98	5.98	0.126
LDNO HV: LV Sub Site Specific Band 2		0	4.158	0.453	0.022	66.31	5.98	5.98	0.126
LDNO HV: LV Sub Site Specific Band 3		0	4.158	0.453	0.022	101.79	5.98	5.98	0.126
LDNO HV: LV Sub Site Specific Band 4		0	4.158	0.453	0.022	191.23	5.98	5.98	0.126
LDNO HV: HV Site Specific No Residual		0	2.608	0.236	0.008	90.34	7.88	7.88	0.070
LDNO HV: HV Site Specific Band 1		0	2.608	0.236	0.008	331.53	7.88	7.88	0.070
LDNO HV: HV Site Specific Band 2		0	2.608	0.236	0.008	796.40	7.88	7.88	0.070
LDNO HV: HV Site Specific Band 3		0	2.608	0.236	0.008	1418.43	7.88	7.88	0.070
LDNO HV: HV Site Specific Band 4		0	2.608	0.236	0.008	3434.56	7.88	7.88	0.070
LDNO HV: Unmetered Supplies		0, 1 or 8	17.859	1.639	0.668				
LDNO HV: LV Generation Aggregated		0	-7.711	-0.998	-0.060	0.00			
LDNO HV: LV Sub Generation Aggregated		0	-6.422	-0.805	-0.047	0.00			
LDNO HV: LV Generation Site Specific		0	-7.711	-0.998	-0.060	0.00			0.279
LDNO HV: LV Sub Generation Site Specific		0	-6.422	-0.805	-0.047	0.00			0.207
LDNO HV: HV Generation Site Specific		0	-3.958	-0.431	-0.021	0.00			0.172

Tariff name	Unique billing identifier	PCs	Red/black unit charge p/kWh	Amber/yellow unit charge p/kWh	Green unit charge p/kWh	Fixed charge p/MPAN/day	Capacity charge p/kVA/day	Exceeded capacity charge p/kVA/day	Reactive power charge p/kVArh
LDNO HVplus: Domestic Aggregated or CT with Residual		0, 1, 2	5.019	0.650	0.039	3.60			
LDNO HVplus: Domestic Aggregated (related MPAN)		2	5.019	0.650	0.039				
LDNO HVplus: Non-Domestic Aggregated or CT No Residual		0, 3, 4, 5-8	5.083	0.658	0.039	4.87			
LDNO HVplus: Non-Domestic Aggregated or CT Band 1		0, 3, 4, 5-8	5.083	0.658	0.039	5.32			
LDNO HVplus: Non-Domestic Aggregated or CT Band 2		0, 3, 4, 5-8	5.083	0.658	0.039	6.58			
LDNO HVplus: Non-Domestic Aggregated or CT Band 3		0, 3, 4, 5-8	5.083	0.658	0.039	8.63			
LDNO HVplus: Non-Domestic Aggregated or CT Band 4		0, 3, 4, 5-8	5.083	0.658	0.039	14.79			
LDNO HVplus: Non-Domestic Aggregated (related MPAN)		4	5.083	0.658	0.039				
LDNO HVplus: LV Site Specific No Residual		0	3.286	0.405	0.023	5.76	3.25	3.25	0.103
LDNO HVplus: LV Site Specific Band 1		0	3.286	0.405	0.023	23.54	3.25	3.25	0.103
LDNO HVplus: LV Site Specific Band 2		0	3.286	0.405	0.023	35.95	3.25	3.25	0.103
LDNO HVplus: LV Site Specific Band 3		0	3.286	0.405	0.023	54.50	3.25	3.25	0.103
LDNO HVplus: LV Site Specific Band 4		0	3.286	0.405	0.023	101.28	3.25	3.25	0.103
LDNO HVplus: LV Sub Site Specific No Residual		0	3.159	0.344	0.016	6.53	4.54	4.54	0.095
LDNO HVplus: LV Sub Site Specific Band 1		0	3.159	0.344	0.016	32.36	4.54	4.54	0.095
LDNO HVplus: LV Sub Site Specific Band 2		0	3.159	0.344	0.016	50.38	4.54	4.54	0.095
LDNO HVplus: LV Sub Site Specific Band 3		0	3.159	0.344	0.016	77.34	4.54	4.54	0.095
LDNO HVplus: LV Sub Site Specific Band 4		0	3.159	0.344	0.016	145.29	4.54	4.54	0.095
LDNO HVplus: HV Site Specific No Residual		0	1.959	0.178	0.006	67.86	5.92	5.92	0.053
LDNO HVplus: HV Site Specific Band 1		0	1.959	0.178	0.006	249.03	5.92	5.92	0.053
LDNO HVplus: HV Site Specific Band 2		0	1.959	0.178	0.006	598.21	5.92	5.92	0.053
LDNO HVplus: HV Site Specific Band 3		0	1.959	0.178	0.006	1065.45	5.92	5.92	0.053
LDNO HVplus: HV Site Specific Band 4		0	1.959	0.178	0.006	2579.86	5.92	5.92	0.053
LDNO HVplus: Unmetered Supplies		0, 1 or 8	13.889	1.275	0.519				
LDNO HVplus: LV Generation Aggregated		0	-4.733	-0.612	-0.037	0.00			
LDNO HVplus: LV Sub Generation Aggregated		0	-4.435	-0.556	-0.032	0.00			
LDNO HVplus: LV Generation Site Specific		0	-4.733	-0.612	-0.037	0.00			0.171
LDNO HVplus: LV Sub Generation Site Specific		0	-4.435	-0.556	-0.032	0.00			0.143
LDNO HVplus: HV Generation Site Specific		0	-3.958	-0.431	-0.021	61.51			0.172

Tariff name	Unique billing identifier	PCs	Red/black unit charge p/kWh	Amber/yellow unit charge p/kWh	Green unit charge p/kWh	Fixed charge p/MPAN/day	Capacity charge p/kVA/day	Exceeded capacity charge p/kVA/day	Reactive power charge p/kVArh
LDNO EHV: Domestic Aggregated or CT with Residual		0, 1, 2	4.356	0.564	0.034	3.12			
LDNO EHV: Domestic Aggregated (related MPAN)		2	4.356	0.564	0.034				
LDNO EHV: Non-Domestic Aggregated or CT No Residual		0, 3, 4, 5-8	4.411	0.571	0.034	4.23			
LDNO EHV: Non-Domestic Aggregated or CT Band 1		0, 3, 4, 5-8	4.411	0.571	0.034	4.62			
LDNO EHV: Non-Domestic Aggregated or CT Band 2		0, 3, 4, 5-8	4.411	0.571	0.034	5.71			
LDNO EHV: Non-Domestic Aggregated or CT Band 3		0, 3, 4, 5-8	4.411	0.571	0.034	7.49			
LDNO EHV: Non-Domestic Aggregated or CT Band 4		0, 3, 4, 5-8	4.411	0.571	0.034	12.84			
LDNO EHV: Non-Domestic Aggregated (related MPAN)		4	4.411	0.571	0.034				
LDNO EHV: LV Site Specific No Residual		0	2.852	0.351	0.020	5.00	2.82	2.82	0.089
LDNO EHV: LV Site Specific Band 1		0	2.852	0.351	0.020	20.43	2.82	2.82	0.089
LDNO EHV: LV Site Specific Band 2		0	2.852	0.351	0.020	31.20	2.82	2.82	0.089
LDNO EHV: LV Site Specific Band 3		0	2.852	0.351	0.020	47.30	2.82	2.82	0.089
LDNO EHV: LV Site Specific Band 4		0	2.852	0.351	0.020	87.90	2.82	2.82	0.089
LDNO EHV: LV Sub Site Specific No Residual		0	2.742	0.299	0.014	5.67	3.94	3.94	0.083
LDNO EHV: LV Sub Site Specific Band 1		0	2.742	0.299	0.014	28.09	3.94	3.94	0.083
LDNO EHV: LV Sub Site Specific Band 2		0	2.742	0.299	0.014	43.73	3.94	3.94	0.083
LDNO EHV: LV Sub Site Specific Band 3		0	2.742	0.299	0.014	67.12	3.94	3.94	0.083
LDNO EHV: LV Sub Site Specific Band 4		0	2.742	0.299	0.014	126.10	3.94	3.94	0.083
LDNO EHV: HV Site Specific No Residual		0	1.700	0.154	0.005	58.90	5.14	5.14	0.046
LDNO EHV: HV Site Specific Band 1		0	1.700	0.154	0.005	216.14	5.14	5.14	0.046
LDNO EHV: HV Site Specific Band 2		0	1.700	0.154	0.005	519.20	5.14	5.14	0.046
LDNO EHV: HV Site Specific Band 3		0	1.700	0.154	0.005	924.72	5.14	5.14	0.046
LDNO EHV: HV Site Specific Band 4		0	1.700	0.154	0.005	2239.10	5.14	5.14	0.046
LDNO EHV: Unmetered Supplies		0, 1 or 8	12.054	1.106	0.451				
LDNO EHV: LV Generation Aggregated		0	-4.108	-0.532	-0.032	0.00			
LDNO EHV: LV Sub Generation Aggregated		0	-3.849	-0.483	-0.028	0.00			
LDNO EHV: LV Generation Site Specific		0	-4.108	-0.532	-0.032	0.00			0.149
LDNO EHV: LV Sub Generation Site Specific		0	-3.849	-0.483	-0.028	0.00			0.124
LDNO EHV: HV Generation Site Specific		0	-3.435	-0.374	-0.018	53.38			0.150
LDNO 132kV/EHV: Domestic Aggregated or CT with Residual		0, 1, 2	4.068	0.527	0.032	2.92			
LDNO 132kV/EHV: Domestic Aggregated (related MPAN)		2	4.068	0.527	0.032				

Tariff name	Unique billing identifier	PCs	Red/black unit charge p/kWh	Amber/yellow unit charge p/kWh	Green unit charge p/kWh	Fixed charge p/MPAN/day	Capacity charge p/kVA/day	Exceeded capacity charge p/kVA/day	Reactive power charge p/kVArh
LDNO 132kV/EHV: Non-Domestic Aggregated or CT No Residual		0, 3, 4, 5-8	4.120	0.533	0.032	3.95			
LDNO 132kV/EHV: Non-Domestic Aggregated or CT Band 1		0, 3, 4, 5-8	4.120	0.533	0.032	4.31			
LDNO 132kV/EHV: Non-Domestic Aggregated or CT Band 2		0, 3, 4, 5-8	4.120	0.533	0.032	5.33			
LDNO 132kV/EHV: Non-Domestic Aggregated or CT Band 3		0, 3, 4, 5-8	4.120	0.533	0.032	7.00			
LDNO 132kV/EHV: Non-Domestic Aggregated or CT Band 4		0, 3, 4, 5-8	4.120	0.533	0.032	11.99			
LDNO 132kV/EHV: Non-Domestic Aggregated (related MPAN)		4	4.120	0.533	0.032				
LDNO 132kV/EHV: LV Site Specific No Residual		0	2.663	0.328	0.019	4.67	2.63	2.63	0.083
LDNO 132kV/EHV: LV Site Specific Band 1		0	2.663	0.328	0.019	19.08	2.63	2.63	0.083
LDNO 132kV/EHV: LV Site Specific Band 2		0	2.663	0.328	0.019	29.14	2.63	2.63	0.083
LDNO 132kV/EHV: LV Site Specific Band 3		0	2.663	0.328	0.019	44.18	2.63	2.63	0.083
LDNO 132kV/EHV: LV Site Specific Band 4		0	2.663	0.328	0.019	82.09	2.63	2.63	0.083
LDNO 132kV/EHV: LV Sub Site Specific No Residual		0	2.561	0.279	0.013	5.30	3.68	3.68	0.077
LDNO 132kV/EHV: LV Sub Site Specific Band 1		0	2.561	0.279	0.013	26.23	3.68	3.68	0.077
LDNO 132kV/EHV: LV Sub Site Specific Band 2		0	2.561	0.279	0.013	40.84	3.68	3.68	0.077
LDNO 132kV/EHV: LV Sub Site Specific Band 3		0	2.561	0.279	0.013	62.69	3.68	3.68	0.077
LDNO 132kV/EHV: LV Sub Site Specific Band 4		0	2.561	0.279	0.013	117.77	3.68	3.68	0.077
LDNO 132kV/EHV: HV Site Specific No Residual		0	1.588	0.144	0.005	55.01	4.80	4.80	0.043
LDNO 132kV/EHV: HV Site Specific Band 1		0	1.588	0.144	0.005	201.85	4.80	4.80	0.043
LDNO 132kV/EHV: HV Site Specific Band 2		0	1.588	0.144	0.005	484.88	4.80	4.80	0.043
LDNO 132kV/EHV: HV Site Specific Band 3		0	1.588	0.144	0.005	863.61	4.80	4.80	0.043
LDNO 132kV/EHV: HV Site Specific Band 4		0	1.588	0.144	0.005	2091.12	4.80	4.80	0.043
LDNO 132kV/EHV: Unmetered Supplies		0, 1 or 8	11.258	1.033	0.421				
LDNO 132kV/EHV: LV Generation Aggregated		0	-3.836	-0.496	-0.030	0.00			
LDNO 132kV/EHV: LV Sub Generation Aggregated		0	-3.594	-0.451	-0.026	0.00			
LDNO 132kV/EHV: LV Generation Site Specific		0	-3.836	-0.496	-0.030	0.00			0.139
LDNO 132kV/EHV: LV Sub Generation Site Specific		0	-3.594	-0.451	-0.026	0.00			0.116
LDNO 132kV/EHV: HV Generation Site Specific		0	-3.208	-0.349	-0.017	49.86			0.140
LDNO 132kV: Domestic Aggregated or CT with Residual		0, 1, 2	3.027	0.392	0.023	2.17			
LDNO 132kV: Domestic Aggregated (related MPAN)		2	3.027	0.392	0.023				

Tariff name	Unique billing identifier	PCs	Red/black unit charge p/kWh	Amber/yellow unit charge p/kWh	Green unit charge p/kWh	Fixed charge p/MPAN/day	Capacity charge p/kVA/day	Exceeded capacity charge p/kVA/day	Reactive power charge p/kVArh
LDNO 132kV: Non-Domestic Aggregated or CT No Residual		0, 3, 4, 5-8	3.065	0.397	0.024	2.94			
LDNO 132kV: Non-Domestic Aggregated or CT Band 1		0, 3, 4, 5-8	3.065	0.397	0.024	3.21			
LDNO 132kV: Non-Domestic Aggregated or CT Band 2		0, 3, 4, 5-8	3.065	0.397	0.024	3.97			
LDNO 132kV: Non-Domestic Aggregated or CT Band 3		0, 3, 4, 5-8	3.065	0.397	0.024	5.21			
LDNO 132kV: Non-Domestic Aggregated or CT Band 4		0, 3, 4, 5-8	3.065	0.397	0.024	8.92			
LDNO 132kV: Non-Domestic Aggregated (related MPAN)		4	3.065	0.397	0.024				
LDNO 132kV: LV Site Specific No Residual		0	1.982	0.244	0.014	3.47	1.96	1.96	0.062
LDNO 132kV: LV Site Specific Band 1		0	1.982	0.244	0.014	14.20	1.96	1.96	0.062
LDNO 132kV: LV Site Specific Band 2		0	1.982	0.244	0.014	21.68	1.96	1.96	0.062
LDNO 132kV: LV Site Specific Band 3		0	1.982	0.244	0.014	32.87	1.96	1.96	0.062
LDNO 132kV: LV Site Specific Band 4		0	1.982	0.244	0.014	61.09	1.96	1.96	0.062
LDNO 132kV: LV Sub Site Specific No Residual		0	1.905	0.207	0.010	3.94	2.74	2.74	0.058
LDNO 132kV: LV Sub Site Specific Band 1		0	1.905	0.207	0.010	19.52	2.74	2.74	0.058
LDNO 132kV: LV Sub Site Specific Band 2		0	1.905	0.207	0.010	30.39	2.74	2.74	0.058
LDNO 132kV: LV Sub Site Specific Band 3		0	1.905	0.207	0.010	46.64	2.74	2.74	0.058
LDNO 132kV: LV Sub Site Specific Band 4		0	1.905	0.207	0.010	87.63	2.74	2.74	0.058
LDNO 132kV: HV Site Specific No Residual		0	1.181	0.107	0.004	40.93	3.57	3.57	0.032
LDNO 132kV: HV Site Specific Band 1		0	1.181	0.107	0.004	150.20	3.57	3.57	0.032
LDNO 132kV: HV Site Specific Band 2		0	1.181	0.107	0.004	360.80	3.57	3.57	0.032
LDNO 132kV: HV Site Specific Band 3		0	1.181	0.107	0.004	642.61	3.57	3.57	0.032
LDNO 132kV: HV Site Specific Band 4		0	1.181	0.107	0.004	1555.99	3.57	3.57	0.032
LDNO 132kV: Unmetered Supplies		0, 1 or 8	8.377	0.769	0.313				
LDNO 132kV: LV Generation Aggregated		0	-2.854	-0.369	-0.022	0.00			
LDNO 132kV: LV Sub Generation Aggregated		0	-2.675	-0.335	-0.019	0.00			
LDNO 132kV: LV Generation Site Specific		0	-2.854	-0.369	-0.022	0.00			0.103
LDNO 132kV: LV Sub Generation Site Specific		0	-2.675	-0.335	-0.019	0.00			0.086
LDNO 132kV: HV Generation Site Specific		0	-2.387	-0.260	-0.012	37.10			0.104
LDNO 0000: Domestic Aggregated or CT with Residual		0, 1, 2	1.050	0.136	0.008	0.75			
LDNO 0000: Domestic Aggregated (related MPAN)		2	1.050	0.136	0.008				
LDNO 0000: Non-Domestic Aggregated or CT No Residual		0, 3, 4, 5-8	1.063	0.138	0.008	1.02			
LDNO 0000: Non-Domestic Aggregated or CT Band 1		0, 3, 4, 5-8	1.063	0.138	0.008	1.11			

Tariff name	Unique billing identifier	PCs	Red/black unit charge p/kWh	Amber/yellow unit charge p/kWh	Green unit charge p/kWh	Fixed charge p/MPAN/day	Capacity charge p/kVA/day	Exceeded capacity charge p/kVA/day	Reactive power charge p/kVArh
LDNO 0000: Non-Domestic Aggregated or CT Band 2		0, 3, 4, 5-8	1.063	0.138	0.008	1.38			
LDNO 0000: Non-Domestic Aggregated or CT Band 3		0, 3, 4, 5-8	1.063	0.138	0.008	1.81			
LDNO 0000: Non-Domestic Aggregated or CT Band 4		0, 3, 4, 5-8	1.063	0.138	0.008	3.09			
LDNO 0000: Non-Domestic Aggregated (related MPAN)		4	1.063	0.138	0.008				
LDNO 0000: LV Site Specific No Residual		0	0.688	0.085	0.005	1.21	0.68	0.68	0.022
LDNO 0000: LV Site Specific Band 1		0	0.688	0.085	0.005	4.93	0.68	0.68	0.022
LDNO 0000: LV Site Specific Band 2		0	0.688	0.085	0.005	7.52	0.68	0.68	0.022
LDNO 0000: LV Site Specific Band 3		0	0.688	0.085	0.005	11.40	0.68	0.68	0.022
LDNO 0000: LV Site Specific Band 4		0	0.688	0.085	0.005	21.19	0.68	0.68	0.022
LDNO 0000: LV Sub Site Specific No Residual		0	0.661	0.072	0.003	1.37	0.95	0.95	0.020
LDNO 0000: LV Sub Site Specific Band 1		0	0.661	0.072	0.003	6.77	0.95	0.95	0.020
LDNO 0000: LV Sub Site Specific Band 2		0	0.661	0.072	0.003	10.54	0.95	0.95	0.020
LDNO 0000: LV Sub Site Specific Band 3		0	0.661	0.072	0.003	16.18	0.95	0.95	0.020
LDNO 0000: LV Sub Site Specific Band 4		0	0.661	0.072	0.003	30.40	0.95	0.95	0.020
LDNO 0000: HV Site Specific No Residual		0	0.410	0.037	0.001	14.20	1.24	1.24	0.011
LDNO 0000: HV Site Specific Band 1		0	0.410	0.037	0.001	52.11	1.24	1.24	0.011
LDNO 0000: HV Site Specific Band 2		0	0.410	0.037	0.001	125.17	1.24	1.24	0.011
LDNO 0000: HV Site Specific Band 3		0	0.410	0.037	0.001	222.93	1.24	1.24	0.011
LDNO 0000: HV Site Specific Band 4		0	0.410	0.037	0.001	539.79	1.24	1.24	0.011
LDNO 0000: Unmetered Supplies		0, 1 or 8	2.906	0.267	0.109				
LDNO 0000: LV Generation Aggregated		0	-0.990	-0.128	-0.008	0.00			
LDNO 0000: LV Sub Generation Aggregated		0	-0.928	-0.116	-0.007	0.00			
LDNO 0000: LV Generation Site Specific		0	-0.990	-0.128	-0.008	0.00			0.036
LDNO 0000: LV Sub Generation Site Specific		0	-0.928	-0.116	-0.007	0.00			0.030
LDNO 0000: HV Generation Site Specific		0	-0.828	-0.090	-0.004	12.87			0.036

Annex 4 - Charges applied to LDNOs with HV/LV end users in “London Power Networks Area (GSP Group _C)”

Southern Electric Power Distribution plc - Effective from 1st April 2026 - Final LDNO tariffs in UKPN LPN Area (GSP Group _C)

Time Bands for LV and HV Properties			
Time periods	Red Time Band	Amber Time Band	Green Time Band
Monday to Friday (Including Bank Holidays) All Year	11:00 - 14:00 16:00 - 19:00	07:00 - 11:00 14:00 - 16:00 19:00 - 23:00	00:00 - 07:00 23:00 - 24:00
Saturday and Sunday All Year			00:00 - 24:00
Notes	All times are in UK Clock time		

Time Bands for Unmetered Properties			
	Black Time Band	Yellow Time Band	Green Time Band
Monday to Friday (Including Bank Holidays) June to August Inclusive	11:00 - 14:00	07:00 - 11:00 14:00 - 23:00	00:00 - 07:00 23:00 - 24:00
Monday to Friday (Including Bank Holidays) November to February Inclusive	16:00 - 19:00	07:00 - 16:00 19:00 - 23:00	00:00 - 07:00 23:00 - 24:00
Monday to Friday (Including Bank Holidays) March, April, May and September, October		07:00 - 23:00	00:00 - 07:00 23:00 - 24:00
Saturday and Sunday All year			00:00 - 24:00
Notes	All times are in UK Clock time		

Tariff name	Unique billing identifier	PCs	Red/black unit charge p/kWh	Amber/yellow unit charge p/kWh	Green unit charge p/kWh	Fixed charge p/MPAN/day	Capacity charge p/kVA/day	Exceeded capacity charge p/kVA/day	Reactive power charge p/kVArh
LDNO LV: Domestic Aggregated or CT with Residual		0, 1, 2	7.798	0.350	0.000	0.00			
LDNO LV: Domestic Aggregated (related MPAN)		2	7.992	0.545	0.046				
LDNO LV: Non-Domestic Aggregated or CT No Residual		0, 3, 4, 5-8	7.074	0.482	0.040	4.20			
LDNO LV: Non-Domestic Aggregated or CT Band 1		0, 3, 4, 5-8	6.974	0.383	0.000	0.00			
LDNO LV: Non-Domestic Aggregated or CT Band 2		0, 3, 4, 5-8	6.097	0.000	0.000	0.00			
LDNO LV: Non-Domestic Aggregated or CT Band 3		0, 3, 4, 5-8	5.721	0.000	0.000	0.00			
LDNO LV: Non-Domestic Aggregated or CT Band 4		0, 3, 4, 5-8	5.466	0.000	0.000	0.00			
LDNO LV: Non-Domestic Aggregated (related MPAN)		4	7.074	0.482	0.040				
LDNO LV: LV Site Specific No Residual		0	5.307	0.375	0.025	10.21	5.18	5.18	0.373
LDNO LV: LV Site Specific Band 1		0	3.182	0.116	0.017	1.68	5.18	5.18	0.373

Tariff name	Unique billing identifier	PCs	Red/black unit charge p/kWh	Amber/yellow unit charge p/kWh	Green unit charge p/kWh	Fixed charge p/MPAN/day	Capacity charge p/kVA/day	Exceeded capacity charge p/kVA/day	Reactive power charge p/kVArh
LDNO LV: LV Site Specific Band 2		0	3.142	0.116	0.017	1.68	5.18	5.18	0.373
LDNO LV: LV Site Specific Band 3		0	3.097	0.116	0.017	1.68	5.18	5.18	0.373
LDNO LV: LV Site Specific Band 4		0	3.048	0.116	0.017	1.68	5.18	5.18	0.373
LDNO LV: Unmetered Supplies		0, 1 or 8	30.006	1.916	0.318				
LDNO LV: LV Generation Aggregated		0, 8	-7.578	-0.516	-0.043	0.00			
LDNO LV: LV Generation Site Specific		0	-7.578	-0.516	-0.043	0.00			0.480
LDNO HV: Domestic Aggregated or CT with Residual		0, 1, 2	5.959	0.268	0.000	0.00			
LDNO HV: Domestic Aggregated (Related MPAN)		2	6.107	0.416	0.035				
LDNO HV: Non-Domestic Aggregated or CT No Residual		0, 3, 4, 5-8	5.406	0.368	0.031	3.21			
LDNO HV: Non-Domestic Aggregated or CT Band 1		0, 3, 4, 5-8	5.330	0.292	0.000	0.00			
LDNO HV: Non-Domestic Aggregated or CT Band 2		0, 3, 4, 5-8	4.659	0.000	0.000	0.00			
LDNO HV: Non-Domestic Aggregated or CT Band 3		0, 3, 4, 5-8	4.372	0.000	0.000	0.00			
LDNO HV: Non-Domestic Aggregated or CT Band 4		0, 3, 4, 5-8	4.177	0.000	0.000	0.00			
LDNO HV: Non-Domestic Aggregated (related MPAN)		4	5.406	0.368	0.031				
LDNO HV: LV Site Specific No Residual		0	4.056	0.286	0.019	7.80	3.96	3.96	0.285
LDNO HV: LV Site Specific Band 1		0	2.431	0.089	0.013	1.29	3.96	3.96	0.285
LDNO HV: LV Site Specific Band 2		0	2.401	0.089	0.013	1.29	3.96	3.96	0.285
LDNO HV: LV Site Specific Band 3		0	2.367	0.089	0.013	1.29	3.96	3.96	0.285
LDNO HV: LV Site Specific Band 4		0	2.329	0.089	0.013	1.29	3.96	3.96	0.285
LDNO HV: LV Sub Site Specific No Residual		0	3.673	0.281	0.009	9.24	6.94	6.94	0.251
LDNO HV: LV Sub Site Specific Band 1		0	1.370	0.000	0.000	0.00	6.94	6.94	0.251
LDNO HV: LV Sub Site Specific Band 2		0	1.327	0.000	0.000	0.00	6.94	6.94	0.251
LDNO HV: LV Sub Site Specific Band 3		0	1.279	0.000	0.000	0.00	6.94	6.94	0.251
LDNO HV: LV Sub Site Specific Band 4		0	1.225	0.000	0.000	0.00	6.94	6.94	0.251
LDNO HV: HV Site Specific No Residual		0	2.977	0.227	0.007	104.34	7.95	7.95	0.212
LDNO HV: HV Site Specific Band 1		0	0.199	0.000	0.000	0.00	7.95	7.95	0.212
LDNO HV: HV Site Specific Band 2		0	0.008	0.000	0.000	0.00	7.95	7.95	0.212
LDNO HV: HV Site Specific Band 3		0	0.090	0.000	0.000	0.00	7.95	7.95	0.212
LDNO HV: HV Site Specific Band 4		0	0.018	0.000	0.000	0.00	7.95	7.95	0.212
LDNO HV: Unmetered Supplies		0, 1 or 8	22.930	1.464	0.243				
LDNO HV: LV Generation Aggregated		0, 8	-7.578	-0.516	-0.043	0.00			
LDNO HV: LV Sub Generation Aggregated		0	-6.263	-0.436	-0.032	0.00			
LDNO HV: LV Generation Site Specific		0	-7.578	-0.516	-0.043	0.00			0.480
LDNO HV: LV Sub Generation Site Specific		0	-6.263	-0.436	-0.032	0.00			0.382
LDNO HV: HV Generation Site Specific		0	-4.094	-0.313	-0.010	0.00			0.338

Tariff name	Unique billing identifier	PCs	Red/black unit charge p/kWh	Amber/yellow unit charge p/kWh	Green unit charge p/kWh	Fixed charge p/MPAN/day	Capacity charge p/kVA/day	Exceeded capacity charge p/kVA/day	Reactive power charge p/kVArh
LDNO HVplus: Domestic Aggregated or CT with Residual		0, 1, 2	5.279	0.237	0.000	0.00			
LDNO HVplus: Domestic Aggregated (related MPAN)		2	5.410	0.369	0.031				
LDNO HVplus: Non-Domestic Aggregated or CT No Residual		0, 3, 4, 5-8	4.788	0.326	0.027	2.84			
LDNO HVplus: Non-Domestic Aggregated or CT Band 1		0, 3, 4, 5-8	4.721	0.259	0.000	0.00			
LDNO HVplus: Non-Domestic Aggregated or CT Band 2		0, 3, 4, 5-8	4.127	0.000	0.000	0.00			
LDNO HVplus: Non-Domestic Aggregated or CT Band 3		0, 3, 4, 5-8	3.873	0.000	0.000	0.00			
LDNO HVplus: Non-Domestic Aggregated or CT Band 4		0, 3, 4, 5-8	3.700	0.000	0.000	0.00			
LDNO HVplus: Non-Domestic Aggregated (related MPAN)		4	4.788	0.326	0.027				
LDNO HVplus: LV Site Specific No Residual		0	3.593	0.254	0.017	6.91	3.50	3.50	0.253
LDNO HVplus: LV Site Specific Band 1		0	2.154	0.078	0.011	1.14	3.50	3.50	0.253
LDNO HVplus: LV Site Specific Band 2		0	2.127	0.078	0.011	1.14	3.50	3.50	0.253
LDNO HVplus: LV Site Specific Band 3		0	2.096	0.078	0.011	1.14	3.50	3.50	0.253
LDNO HVplus: LV Site Specific Band 4		0	2.063	0.078	0.011	1.14	3.50	3.50	0.253
LDNO HVplus: LV Sub Site Specific No Residual		0	3.226	0.246	0.008	8.11	6.09	6.09	0.220
LDNO HVplus: LV Sub Site Specific Band 1		0	1.204	0.000	0.000	0.00	6.09	6.09	0.220
LDNO HVplus: LV Sub Site Specific Band 2		0	1.165	0.000	0.000	0.00	6.09	6.09	0.220
LDNO HVplus: LV Sub Site Specific Band 3		0	1.123	0.000	0.000	0.00	6.09	6.09	0.220
LDNO HVplus: LV Sub Site Specific Band 4		0	1.076	0.000	0.000	0.00	6.09	6.09	0.220
LDNO HVplus: HV Site Specific No Residual		0	2.603	0.198	0.006	91.23	6.95	6.95	0.185
LDNO HVplus: HV Site Specific Band 1		0	0.174	0.000	0.000	0.00	6.95	6.95	0.185
LDNO HVplus: HV Site Specific Band 2		0	0.007	0.000	0.000	0.00	6.95	6.95	0.185
LDNO HVplus: HV Site Specific Band 3		0	0.078	0.000	0.000	0.00	6.95	6.95	0.185
LDNO HVplus: HV Site Specific Band 4		0	0.016	0.000	0.000	0.00	6.95	6.95	0.185
LDNO HVplus: Unmetered Supplies		0, 1 or 8	20.312	1.297	0.215				
LDNO HVplus: LV Generation Aggregated		0, 8	-5.161	-0.352	-0.030	0.00			
LDNO HVplus: LV Sub Generation Aggregated		0	-4.740	-0.330	-0.024	0.00			
LDNO HVplus: LV Generation Site Specific		0	-5.161	-0.352	-0.030	0.00			0.327
LDNO HVplus: LV Sub Generation Site Specific		0	-4.740	-0.330	-0.024	0.00			0.289
LDNO HVplus: HV Generation Site Specific		0	-4.094	-0.313	-0.010	8.55			0.338

Tariff name	Unique billing identifier	PCs	Red/black unit charge p/kWh	Amber/yellow unit charge p/kWh	Green unit charge p/kWh	Fixed charge p/MPAN/day	Capacity charge p/kVA/day	Exceeded capacity charge p/kVA/day	Reactive power charge p/kVArh
LDNO EHV: Domestic Aggregated or CT with Residual		0, 1, 2	4.016	0.180	0.000	0.00			
LDNO EHV: Domestic Aggregated (related MPAN)		2	4.116	0.281	0.024				
LDNO EHV: Non-Domestic Aggregated or CT No Residual		0, 3, 4, 5-8	3.643	0.248	0.021	2.16			
LDNO EHV: Non-Domestic Aggregated or CT Band 1		0, 3, 4, 5-8	3.592	0.197	0.000	0.00			
LDNO EHV: Non-Domestic Aggregated or CT Band 2		0, 3, 4, 5-8	3.140	0.000	0.000	0.00			
LDNO EHV: Non-Domestic Aggregated or CT Band 3		0, 3, 4, 5-8	2.946	0.000	0.000	0.00			
LDNO EHV: Non-Domestic Aggregated or CT Band 4		0, 3, 4, 5-8	2.815	0.000	0.000	0.00			
LDNO EHV: Non-Domestic Aggregated (related MPAN)		4	3.643	0.248	0.021				
LDNO EHV: LV Site Specific No Residual		0	2.733	0.193	0.013	5.26	2.67	2.67	0.192
LDNO EHV: LV Site Specific Band 1		0	1.639	0.060	0.009	0.87	2.67	2.67	0.192
LDNO EHV: LV Site Specific Band 2		0	1.618	0.060	0.009	0.87	2.67	2.67	0.192
LDNO EHV: LV Site Specific Band 3		0	1.595	0.060	0.009	0.87	2.67	2.67	0.192
LDNO EHV: LV Site Specific Band 4		0	1.570	0.060	0.009	0.87	2.67	2.67	0.192
LDNO EHV: LV Sub Site Specific No Residual		0	2.454	0.187	0.006	6.17	4.64	4.64	0.168
LDNO EHV: LV Sub Site Specific Band 1		0	0.916	0.000	0.000	0.00	4.64	4.64	0.168
LDNO EHV: LV Sub Site Specific Band 2		0	0.887	0.000	0.000	0.00	4.64	4.64	0.168
LDNO EHV: LV Sub Site Specific Band 3		0	0.854	0.000	0.000	0.00	4.64	4.64	0.168
LDNO EHV: LV Sub Site Specific Band 4		0	0.819	0.000	0.000	0.00	4.64	4.64	0.168
LDNO EHV: HV Site Specific No Residual		0	1.980	0.151	0.005	69.41	5.29	5.29	0.141
LDNO EHV: HV Site Specific Band 1		0	0.132	0.000	0.000	0.00	5.29	5.29	0.141
LDNO EHV: HV Site Specific Band 2		0	0.005	0.000	0.000	0.00	5.29	5.29	0.141
LDNO EHV: HV Site Specific Band 3		0	0.060	0.000	0.000	0.00	5.29	5.29	0.141
LDNO EHV: HV Site Specific Band 4		0	0.012	0.000	0.000	0.00	5.29	5.29	0.141
LDNO EHV: Unmetered Supplies		0, 1 or 8	15.454	0.987	0.164				
LDNO EHV: LV Generation Aggregated		0, 8	-3.927	-0.268	-0.022	0.00			
LDNO EHV: LV Sub Generation Aggregated		0	-3.606	-0.251	-0.018	0.00			
LDNO EHV: LV Generation Site Specific		0	-3.927	-0.268	-0.022	0.00			0.249
LDNO EHV: LV Sub Generation Site Specific		0	-3.606	-0.251	-0.018	0.00			0.220
LDNO EHV: HV Generation Site Specific		0	-3.115	-0.238	-0.008	6.50			0.257
LDNO 132kV/EHV: Domestic Aggregated or CT with Residual		0, 1, 2	2.432	0.109	0.000	0.00			
LDNO 132kV/EHV: Domestic Aggregated (related MPAN)		2	2.493	0.170	0.014				

Tariff name	Unique billing identifier	PCs	Red/black unit charge p/kWh	Amber/yellow unit charge p/kWh	Green unit charge p/kWh	Fixed charge p/MPAN/day	Capacity charge p/kVA/day	Exceeded capacity charge p/kVA/day	Reactive power charge p/kVArh
LDNO 132kV/EHV: Non-Domestic Aggregated or CT No Residual		0, 3, 4, 5-8	2.207	0.150	0.013	1.31			
LDNO 132kV/EHV: Non-Domestic Aggregated or CT Band 1		0, 3, 4, 5-8	2.176	0.119	0.000	0.00			
LDNO 132kV/EHV: Non-Domestic Aggregated or CT Band 2		0, 3, 4, 5-8	1.902	0.000	0.000	0.00			
LDNO 132kV/EHV: Non-Domestic Aggregated or CT Band 3		0, 3, 4, 5-8	1.785	0.000	0.000	0.00			
LDNO 132kV/EHV: Non-Domestic Aggregated or CT Band 4		0, 3, 4, 5-8	1.705	0.000	0.000	0.00			
LDNO 132kV/EHV: Non-Domestic Aggregated (related MPAN)		4	2.207	0.150	0.013				
LDNO 132kV/EHV: LV Site Specific No Residual		0	1.656	0.117	0.008	3.19	1.62	1.62	0.117
LDNO 132kV/EHV: LV Site Specific Band 1		0	0.992	0.036	0.005	0.53	1.62	1.62	0.117
LDNO 132kV/EHV: LV Site Specific Band 2		0	0.980	0.036	0.005	0.53	1.62	1.62	0.117
LDNO 132kV/EHV: LV Site Specific Band 3		0	0.966	0.036	0.005	0.53	1.62	1.62	0.117
LDNO 132kV/EHV: LV Site Specific Band 4		0	0.951	0.036	0.005	0.53	1.62	1.62	0.117
LDNO 132kV/EHV: LV Sub Site Specific No Residual		0	1.487	0.114	0.004	3.74	2.81	2.81	0.101
LDNO 132kV/EHV: LV Sub Site Specific Band 1		0	0.555	0.000	0.000	0.00	2.81	2.81	0.101
LDNO 132kV/EHV: LV Sub Site Specific Band 2		0	0.537	0.000	0.000	0.00	2.81	2.81	0.101
LDNO 132kV/EHV: LV Sub Site Specific Band 3		0	0.518	0.000	0.000	0.00	2.81	2.81	0.101
LDNO 132kV/EHV: LV Sub Site Specific Band 4		0	0.496	0.000	0.000	0.00	2.81	2.81	0.101
LDNO 132kV/EHV: HV Site Specific No Residual		0	1.199	0.091	0.003	42.04	3.20	3.20	0.085
LDNO 132kV/EHV: HV Site Specific Band 1		0	0.080	0.000	0.000	0.00	3.20	3.20	0.085
LDNO 132kV/EHV: HV Site Specific Band 2		0	0.003	0.000	0.000	0.00	3.20	3.20	0.085
LDNO 132kV/EHV: HV Site Specific Band 3		0	0.036	0.000	0.000	0.00	3.20	3.20	0.085
LDNO 132kV/EHV: HV Site Specific Band 4		0	0.007	0.000	0.000	0.00	3.20	3.20	0.085
LDNO 132kV/EHV: Unmetered Supplies		0, 1 or 8	9.360	0.598	0.099				
LDNO 132kV/EHV: LV Generation Aggregated		0, 8	-2.378	-0.162	-0.014	0.00			
LDNO 132kV/EHV: LV Sub Generation Aggregated		0	-2.184	-0.152	-0.011	0.00			
LDNO 132kV/EHV: LV Generation Site Specific		0	-2.378	-0.162	-0.014	0.00			0.151
LDNO 132kV/EHV: LV Sub Generation Site Specific		0	-2.184	-0.152	-0.011	0.00			0.133
LDNO 132kV/EHV: HV Generation Site Specific		0	-1.887	-0.144	-0.005	3.94			0.156
LDNO 132kV: Domestic Aggregated or CT with Residual		0, 1, 2	1.667	0.075	0.000	0.00			
LDNO 132kV: Domestic Aggregated (related MPAN)		2	1.709	0.116	0.010				

Tariff name	Unique billing identifier	PCs	Red/black unit charge p/kWh	Amber/yellow unit charge p/kWh	Green unit charge p/kWh	Fixed charge p/MPAN/day	Capacity charge p/kVA/day	Exceeded capacity charge p/kVA/day	Reactive power charge p/kVArh
LDNO 132kV: Non-Domestic Aggregated or CT No Residual		0, 3, 4, 5-8	1.512	0.103	0.009	0.90			
LDNO 132kV: Non-Domestic Aggregated or CT Band 1		0, 3, 4, 5-8	1.491	0.082	0.000	0.00			
LDNO 132kV: Non-Domestic Aggregated or CT Band 2		0, 3, 4, 5-8	1.304	0.000	0.000	0.00			
LDNO 132kV: Non-Domestic Aggregated or CT Band 3		0, 3, 4, 5-8	1.223	0.000	0.000	0.00			
LDNO 132kV: Non-Domestic Aggregated or CT Band 4		0, 3, 4, 5-8	1.169	0.000	0.000	0.00			
LDNO 132kV: Non-Domestic Aggregated (related MPAN)		4	1.512	0.103	0.009				
LDNO 132kV: LV Site Specific No Residual		0	1.135	0.080	0.005	2.18	1.11	1.11	0.080
LDNO 132kV: LV Site Specific Band 1		0	0.680	0.025	0.004	0.36	1.11	1.11	0.080
LDNO 132kV: LV Site Specific Band 2		0	0.672	0.025	0.004	0.36	1.11	1.11	0.080
LDNO 132kV: LV Site Specific Band 3		0	0.662	0.025	0.004	0.36	1.11	1.11	0.080
LDNO 132kV: LV Site Specific Band 4		0	0.652	0.025	0.004	0.36	1.11	1.11	0.080
LDNO 132kV: LV Sub Site Specific No Residual		0	1.019	0.078	0.002	2.56	1.92	1.92	0.070
LDNO 132kV: LV Sub Site Specific Band 1		0	0.380	0.000	0.000	0.00	1.92	1.92	0.070
LDNO 132kV: LV Sub Site Specific Band 2		0	0.368	0.000	0.000	0.00	1.92	1.92	0.070
LDNO 132kV: LV Sub Site Specific Band 3		0	0.355	0.000	0.000	0.00	1.92	1.92	0.070
LDNO 132kV: LV Sub Site Specific Band 4		0	0.340	0.000	0.000	0.00	1.92	1.92	0.070
LDNO 132kV: HV Site Specific No Residual		0	0.822	0.063	0.002	28.81	2.20	2.20	0.058
LDNO 132kV: HV Site Specific Band 1		0	0.055	0.000	0.000	0.00	2.20	2.20	0.058
LDNO 132kV: HV Site Specific Band 2		0	0.002	0.000	0.000	0.00	2.20	2.20	0.058
LDNO 132kV: HV Site Specific Band 3		0	0.025	0.000	0.000	0.00	2.20	2.20	0.058
LDNO 132kV: HV Site Specific Band 4		0	0.005	0.000	0.000	0.00	2.20	2.20	0.058
LDNO 132kV: Unmetered Supplies		0, 1 or 8	6.416	0.410	0.068				
LDNO 132kV: LV Generation Aggregated		0, 8	-1.630	-0.111	-0.009	0.00			
LDNO 132kV: LV Sub Generation Aggregated		0	-1.497	-0.104	-0.008	0.00			
LDNO 132kV: LV Generation Site Specific		0	-1.630	-0.111	-0.009	0.00			0.103
LDNO 132kV: LV Sub Generation Site Specific		0	-1.497	-0.104	-0.008	0.00			0.091
LDNO 132kV: HV Generation Site Specific		0	-1.293	-0.099	-0.003	2.70			0.107
LDNO 0000: Domestic Aggregated or CT with Residual		0, 1, 2	0.599	0.027	0.000	0.00			
LDNO 0000: Domestic Aggregated (related MPAN)		2	0.614	0.042	0.004				
LDNO 0000: Non-Domestic Aggregated or CT No Residual		0, 3, 4, 5-8	0.543	0.037	0.003	0.32			
LDNO 0000: Non-Domestic Aggregated or CT Band 1		0, 3, 4, 5-8	0.535	0.029	0.000	0.00			

Tariff name	Unique billing identifier	PCs	Red/black unit charge p/kWh	Amber/yellow unit charge p/kWh	Green unit charge p/kWh	Fixed charge p/MPAN/day	Capacity charge p/kVA/day	Exceeded capacity charge p/kVA/day	Reactive power charge p/kVArh
LDNO 0000: Non-Domestic Aggregated or CT Band 2		0, 3, 4, 5-8	0.468	0.000	0.000	0.00			
LDNO 0000: Non-Domestic Aggregated or CT Band 3		0, 3, 4, 5-8	0.439	0.000	0.000	0.00			
LDNO 0000: Non-Domestic Aggregated or CT Band 4		0, 3, 4, 5-8	0.420	0.000	0.000	0.00			
LDNO 0000: Non-Domestic Aggregated (related MPAN)		4	0.543	0.037	0.003				
LDNO 0000: LV Site Specific No Residual		0	0.407	0.029	0.002	0.78	0.40	0.40	0.029
LDNO 0000: LV Site Specific Band 1		0	0.244	0.009	0.001	0.13	0.40	0.40	0.029
LDNO 0000: LV Site Specific Band 2		0	0.241	0.009	0.001	0.13	0.40	0.40	0.029
LDNO 0000: LV Site Specific Band 3		0	0.238	0.009	0.001	0.13	0.40	0.40	0.029
LDNO 0000: LV Site Specific Band 4		0	0.234	0.009	0.001	0.13	0.40	0.40	0.029
LDNO 0000: LV Sub Site Specific No Residual		0	0.366	0.028	0.001	0.92	0.69	0.69	0.025
LDNO 0000: LV Sub Site Specific Band 1		0	0.136	0.000	0.000	0.00	0.69	0.69	0.025
LDNO 0000: LV Sub Site Specific Band 2		0	0.132	0.000	0.000	0.00	0.69	0.69	0.025
LDNO 0000: LV Sub Site Specific Band 3		0	0.127	0.000	0.000	0.00	0.69	0.69	0.025
LDNO 0000: LV Sub Site Specific Band 4		0	0.122	0.000	0.000	0.00	0.69	0.69	0.025
LDNO 0000: HV Site Specific No Residual		0	0.295	0.022	0.001	10.35	0.79	0.79	0.021
LDNO 0000: HV Site Specific Band 1		0	0.020	0.000	0.000	0.00	0.79	0.79	0.021
LDNO 0000: HV Site Specific Band 2		0	0.001	0.000	0.000	0.00	0.79	0.79	0.021
LDNO 0000: HV Site Specific Band 3		0	0.009	0.000	0.000	0.00	0.79	0.79	0.021
LDNO 0000: HV Site Specific Band 4		0	0.002	0.000	0.000	0.00	0.79	0.79	0.021
LDNO 0000: Unmetered Supplies		0, 1 or 8	2.304	0.147	0.024				
LDNO 0000: LV Generation Aggregated		0, 8	-0.585	-0.040	-0.003	0.00			
LDNO 0000: LV Sub Generation Aggregated		0	-0.538	-0.037	-0.003	0.00			
LDNO 0000: LV Generation Site Specific		0	-0.585	-0.040	-0.003	0.00			0.037
LDNO 0000: LV Sub Generation Site Specific		0	-0.538	-0.037	-0.003	0.00			0.033
LDNO 0000: HV Generation Site Specific		0	-0.464	-0.035	-0.001	0.97			0.038

Annex 4 - Charges applied to LDNOs with HV/LV end users in “SP Manweb Area (GSP Group _D)”

Southern Electric Power Distribution plc - Effective from 1st April 2026 - Final LDNO tariffs in SP Manweb Area (GSP Group _D)

Time Bands for LV and HV Properties			
Time periods	Red Time Band	Amber Time Band	Green Time Band
Monday to Friday (Including Bank Holidays) All Year	16.30 - 19.30	08.00 - 16.30 19.30 - 22.30	00.00 - 08.00 22.30 - 00.00
Saturday and Sunday All Year		16.00 - 20.00	00.00 - 16.00 20.00 - 00.00
Notes	All the above times are in UK Clock time		

Time Bands for Unmetered Properties			
	Black Time Band	Yellow Time Band	Green Time Band
Monday to Friday (Including Bank Holidays) June to August Inclusive		08.00 - 22.30	00.00 - 08.00 22.30 - 00.00
Monday to Friday (Including Bank Holidays) November to February Inclusive	16.30 - 19.30	08.00 - 16.30 19.30 - 22.30	00.00 - 08.00 22.30 - 00.00
Monday to Friday (Including Bank Holidays) March to May, & September to October, Inclusive		08.00 - 22.30	00.00 - 08.00 22.30 - 00.00
Saturday and Sunday All Year		16.00 - 20.00	00:00-16:00 20:00-00:00
Notes	All the above times are in UK Clock time		

Tariff name	Unique billing identifier	PCs	Red/black unit charge p/kWh	Amber/yellow unit charge p/kWh	Green unit charge p/kWh	Fixed charge p/MPAN/day	Capacity charge p/kVA/day	Exceeded capacity charge p/kVA/day	Reactive power charge p/kVArh
LDNO LV: Domestic Aggregated or CT with Residual			9.419	2.056	0.296	14.38			
LDNO LV: Domestic Aggregated (related MPAN)			9.419	2.056	0.296				
LDNO LV: Non-Domestic Aggregated or CT No Residual			10.072	2.199	0.317	4.47			
LDNO LV: Non-Domestic Aggregated or CT Band 1			10.072	2.199	0.317	16.37			
LDNO LV: Non-Domestic Aggregated or CT Band 2			10.072	2.199	0.317	30.46			
LDNO LV: Non-Domestic Aggregated or CT Band 3			10.072	2.199	0.317	59.92			
LDNO LV: Non-Domestic Aggregated or CT Band 4			10.072	2.199	0.317	165.41			
LDNO LV: Non-Domestic Aggregated (related MPAN)			10.072	2.199	0.317				
LDNO LV: LV Site Specific No Residual			7.213	1.408	0.193	14.94	4.20	4.20	0.384
LDNO LV: LV Site Specific Band 1			7.213	1.408	0.193	335.11	4.20	4.20	0.384

Tariff name	Unique billing identifier	PCs	Red/black unit charge p/kWh	Amber/yellow unit charge p/kWh	Green unit charge p/kWh	Fixed charge p/MPAN/day	Capacity charge p/kVA/day	Exceeded capacity charge p/kVA/day	Reactive power charge p/kVArh
LDNO LV: LV Site Specific Band 2			7.213	1.408	0.193	625.32	4.20	4.20	0.384
LDNO LV: LV Site Specific Band 3			7.213	1.408	0.193	962.60	4.20	4.20	0.384
LDNO LV: LV Site Specific Band 4			7.213	1.408	0.193	2198.70	4.20	4.20	0.384
LDNO LV: Unmetered Supplies			20.962	3.163	1.749				
LDNO LV: LV Generation Aggregated			-10.986	-2.398	-0.346	0.00			
LDNO LV: LV Generation Site Specific			-10.986	-2.398	-0.346	0.00			0.622
LDNO HV: Domestic Aggregated or CT with Residual			6.777	1.480	0.213	10.35			
LDNO HV: Domestic Aggregated (Related MPAN)			6.777	1.480	0.213				
LDNO HV: Non-Domestic Aggregated or CT No Residual			7.247	1.582	0.228	3.21			
LDNO HV: Non-Domestic Aggregated or CT Band 1			7.247	1.582	0.228	11.78			
LDNO HV: Non-Domestic Aggregated or CT Band 2			7.247	1.582	0.228	21.91			
LDNO HV: Non-Domestic Aggregated or CT Band 3			7.247	1.582	0.228	43.11			
LDNO HV: Non-Domestic Aggregated or CT Band 4			7.247	1.582	0.228	119.02			
LDNO HV: Non-Domestic Aggregated (related MPAN)			7.247	1.582	0.228				
LDNO HV: LV Site Specific No Residual			5.190	1.013	0.139	10.75	3.03	3.03	0.276
LDNO HV: LV Site Specific Band 1			5.190	1.013	0.139	241.12	3.03	3.03	0.276
LDNO HV: LV Site Specific Band 2			5.190	1.013	0.139	449.94	3.03	3.03	0.276
LDNO HV: LV Site Specific Band 3			5.190	1.013	0.139	692.62	3.03	3.03	0.276
LDNO HV: LV Site Specific Band 4			5.190	1.013	0.139	1582.03	3.03	3.03	0.276
LDNO HV: LV Sub Site Specific No Residual			6.541	0.993	0.117	6.21	7.76	7.76	0.251
LDNO HV: LV Sub Site Specific Band 1			6.541	0.993	0.117	383.51	7.76	7.76	0.251
LDNO HV: LV Sub Site Specific Band 2			6.541	0.993	0.117	725.49	7.76	7.76	0.251
LDNO HV: LV Sub Site Specific Band 3			6.541	0.993	0.117	1122.93	7.76	7.76	0.251
LDNO HV: LV Sub Site Specific Band 4			6.541	0.993	0.117	2579.55	7.76	7.76	0.251
LDNO HV: HV Site Specific No Residual			5.833	0.795	0.083	106.38	8.16	8.16	0.197
LDNO HV: HV Site Specific Band 1			5.833	0.795	0.083	2357.62	8.16	8.16	0.197
LDNO HV: HV Site Specific Band 2			5.833	0.795	0.083	7002.72	8.16	8.16	0.197
LDNO HV: HV Site Specific Band 3			5.833	0.795	0.083	15065.93	8.16	8.16	0.197
LDNO HV: HV Site Specific Band 4			5.833	0.795	0.083	27589.95	8.16	8.16	0.197
LDNO HV: Unmetered Supplies			15.083	2.276	1.258				
LDNO HV: LV Generation Aggregated			-10.986	-2.398	-0.346	0.00			
LDNO HV: LV Sub Generation Aggregated			-9.547	-1.945	-0.272	0.00			
LDNO HV: LV Generation Site Specific			-10.986	-2.398	-0.346	0.00			0.622
LDNO HV: LV Sub Generation Site Specific			-9.547	-1.945	-0.272	0.00			0.539
LDNO HV: HV Generation Site Specific			-7.283	-1.105	-0.130	0.00			0.451

Tariff name	Unique billing identifier	PCs	Red/black unit charge p/kWh	Amber/yellow unit charge p/kWh	Green unit charge p/kWh	Fixed charge p/MPAN/day	Capacity charge p/kVA/day	Exceeded capacity charge p/kVA/day	Reactive power charge p/kVArh
LDNO HVplus: Domestic Aggregated or CT with Residual			4.747	1.036	0.149	7.25			
LDNO HVplus: Domestic Aggregated (related MPAN)			4.747	1.036	0.149				
LDNO HVplus: Non-Domestic Aggregated or CT No Residual			5.076	1.108	0.160	2.25			
LDNO HVplus: Non-Domestic Aggregated or CT Band 1			5.076	1.108	0.160	8.25			
LDNO HVplus: Non-Domestic Aggregated or CT Band 2			5.076	1.108	0.160	15.35			
LDNO HVplus: Non-Domestic Aggregated or CT Band 3			5.076	1.108	0.160	30.20			
LDNO HVplus: Non-Domestic Aggregated or CT Band 4			5.076	1.108	0.160	83.37			
LDNO HVplus: Non-Domestic Aggregated (related MPAN)			5.076	1.108	0.160				
LDNO HVplus: LV Site Specific No Residual			3.635	0.710	0.097	7.53	2.12	2.12	0.194
LDNO HVplus: LV Site Specific Band 1			3.635	0.710	0.097	168.90	2.12	2.12	0.194
LDNO HVplus: LV Site Specific Band 2			3.635	0.710	0.097	315.16	2.12	2.12	0.194
LDNO HVplus: LV Site Specific Band 3			3.635	0.710	0.097	485.15	2.12	2.12	0.194
LDNO HVplus: LV Site Specific Band 4			3.635	0.710	0.097	1108.14	2.12	2.12	0.194
LDNO HVplus: LV Sub Site Specific No Residual			4.417	0.670	0.079	4.20	5.24	5.24	0.169
LDNO HVplus: LV Sub Site Specific Band 1			4.417	0.670	0.079	258.98	5.24	5.24	0.169
LDNO HVplus: LV Sub Site Specific Band 2			4.417	0.670	0.079	489.92	5.24	5.24	0.169
LDNO HVplus: LV Sub Site Specific Band 3			4.417	0.670	0.079	758.31	5.24	5.24	0.169
LDNO HVplus: LV Sub Site Specific Band 4			4.417	0.670	0.079	1741.97	5.24	5.24	0.169
LDNO HVplus: HV Site Specific No Residual			3.894	0.531	0.055	71.01	5.45	5.45	0.131
LDNO HVplus: HV Site Specific Band 1			3.894	0.531	0.055	1573.67	5.45	5.45	0.131
LDNO HVplus: HV Site Specific Band 2			3.894	0.531	0.055	4674.20	5.45	5.45	0.131
LDNO HVplus: HV Site Specific Band 3			3.894	0.531	0.055	10056.26	5.45	5.45	0.131
LDNO HVplus: HV Site Specific Band 4			3.894	0.531	0.055	18415.84	5.45	5.45	0.131
LDNO HVplus: Unmetered Supplies			10.565	1.594	0.881				
LDNO HVplus: LV Generation Aggregated			-5.351	-1.168	-0.168	0.00			
LDNO HVplus: LV Sub Generation Aggregated			-5.198	-1.059	-0.148	0.00			
LDNO HVplus: LV Generation Site Specific			-5.351	-1.168	-0.168	0.00			0.303
LDNO HVplus: LV Sub Generation Site Specific			-5.198	-1.059	-0.148	0.00			0.293
LDNO HVplus: HV Generation Site Specific			-7.283	-1.105	-0.130	95.24			0.451
LDNO EHV: Domestic Aggregated or CT with Residual			3.388	0.740	0.107	5.17			
LDNO EHV: Domestic Aggregated (related MPAN)			3.388	0.740	0.107				

Tariff name	Unique billing identifier	PCs	Red/black unit charge p/kWh	Amber/yellow unit charge p/kWh	Green unit charge p/kWh	Fixed charge p/MPAN/day	Capacity charge p/kVA/day	Exceeded capacity charge p/kVA/day	Reactive power charge p/kVArh
LDNO EHV: Non-Domestic Aggregated or CT No Residual			3.623	0.791	0.114	1.61			
LDNO EHV: Non-Domestic Aggregated or CT Band 1			3.623	0.791	0.114	5.89			
LDNO EHV: Non-Domestic Aggregated or CT Band 2			3.623	0.791	0.114	10.96			
LDNO EHV: Non-Domestic Aggregated or CT Band 3			3.623	0.791	0.114	21.55			
LDNO EHV: Non-Domestic Aggregated or CT Band 4			3.623	0.791	0.114	59.50			
LDNO EHV: Non-Domestic Aggregated (related MPAN)			3.623	0.791	0.114				
LDNO EHV: LV Site Specific No Residual			2.595	0.507	0.069	5.37	1.51	1.51	0.138
LDNO EHV: LV Site Specific Band 1			2.595	0.507	0.069	120.54	1.51	1.51	0.138
LDNO EHV: LV Site Specific Band 2			2.595	0.507	0.069	224.92	1.51	1.51	0.138
LDNO EHV: LV Site Specific Band 3			2.595	0.507	0.069	346.24	1.51	1.51	0.138
LDNO EHV: LV Site Specific Band 4			2.595	0.507	0.069	790.86	1.51	1.51	0.138
LDNO EHV: LV Sub Site Specific No Residual			3.152	0.478	0.056	2.99	3.74	3.74	0.121
LDNO EHV: LV Sub Site Specific Band 1			3.152	0.478	0.056	184.83	3.74	3.74	0.121
LDNO EHV: LV Sub Site Specific Band 2			3.152	0.478	0.056	349.65	3.74	3.74	0.121
LDNO EHV: LV Sub Site Specific Band 3			3.152	0.478	0.056	541.19	3.74	3.74	0.121
LDNO EHV: LV Sub Site Specific Band 4			3.152	0.478	0.056	1243.21	3.74	3.74	0.121
LDNO EHV: HV Site Specific No Residual			2.779	0.379	0.040	50.68	3.89	3.89	0.094
LDNO EHV: HV Site Specific Band 1			2.779	0.379	0.040	1123.10	3.89	3.89	0.094
LDNO EHV: HV Site Specific Band 2			2.779	0.379	0.040	3335.89	3.89	3.89	0.094
LDNO EHV: HV Site Specific Band 3			2.779	0.379	0.040	7176.95	3.89	3.89	0.094
LDNO EHV: HV Site Specific Band 4			2.779	0.379	0.040	13143.02	3.89	3.89	0.094
LDNO EHV: Unmetered Supplies			7.540	1.138	0.629				
LDNO EHV: LV Generation Aggregated			-3.819	-0.834	-0.120	0.00			
LDNO EHV: LV Sub Generation Aggregated			-3.709	-0.756	-0.106	0.00			
LDNO EHV: LV Generation Site Specific			-3.819	-0.834	-0.120	0.00			0.216
LDNO EHV: LV Sub Generation Site Specific			-3.709	-0.756	-0.106	0.00			0.209
LDNO EHV: HV Generation Site Specific			-5.198	-0.789	-0.093	67.97			0.322
LDNO 132kV/EHV: Domestic Aggregated or CT with Residual			2.525	0.551	0.079	3.86			
LDNO 132kV/EHV: Domestic Aggregated (related MPAN)			2.525	0.551	0.079				
LDNO 132kV/EHV: Non-Domestic Aggregated or CT No Residual			2.700	0.589	0.085	1.20			

Tariff name	Unique billing identifier	PCs	Red/black unit charge p/kWh	Amber/yellow unit charge p/kWh	Green unit charge p/kWh	Fixed charge p/MPAN/day	Capacity charge p/kVA/day	Exceeded capacity charge p/kVA/day	Reactive power charge p/kVArh
LDNO 132kV/EHV: Non-Domestic Aggregated or CT Band 1			2.700	0.589	0.085	4.39			
LDNO 132kV/EHV: Non-Domestic Aggregated or CT Band 2			2.700	0.589	0.085	8.17			
LDNO 132kV/EHV: Non-Domestic Aggregated or CT Band 3			2.700	0.589	0.085	16.06			
LDNO 132kV/EHV: Non-Domestic Aggregated or CT Band 4			2.700	0.589	0.085	44.34			
LDNO 132kV/EHV: Non-Domestic Aggregated (related MPAN)			2.700	0.589	0.085				
LDNO 132kV/EHV: LV Site Specific No Residual			1.934	0.378	0.052	4.01	1.13	1.13	0.103
LDNO 132kV/EHV: LV Site Specific Band 1			1.934	0.378	0.052	89.84	1.13	1.13	0.103
LDNO 132kV/EHV: LV Site Specific Band 2			1.934	0.378	0.052	167.64	1.13	1.13	0.103
LDNO 132kV/EHV: LV Site Specific Band 3			1.934	0.378	0.052	258.06	1.13	1.13	0.103
LDNO 132kV/EHV: LV Site Specific Band 4			1.934	0.378	0.052	589.44	1.13	1.13	0.103
LDNO 132kV/EHV: LV Sub Site Specific No Residual			2.349	0.357	0.042	2.23	2.79	2.79	0.090
LDNO 132kV/EHV: LV Sub Site Specific Band 1			2.349	0.357	0.042	137.76	2.79	2.79	0.090
LDNO 132kV/EHV: LV Sub Site Specific Band 2			2.349	0.357	0.042	260.60	2.79	2.79	0.090
LDNO 132kV/EHV: LV Sub Site Specific Band 3			2.349	0.357	0.042	403.36	2.79	2.79	0.090
LDNO 132kV/EHV: LV Sub Site Specific Band 4			2.349	0.357	0.042	926.59	2.79	2.79	0.090
LDNO 132kV/EHV: HV Site Specific No Residual			2.071	0.282	0.029	37.77	2.90	2.90	0.070
LDNO 132kV/EHV: HV Site Specific Band 1			2.071	0.282	0.029	837.07	2.90	2.90	0.070
LDNO 132kV/EHV: HV Site Specific Band 2			2.071	0.282	0.029	2486.31	2.90	2.90	0.070
LDNO 132kV/EHV: HV Site Specific Band 3			2.071	0.282	0.029	5349.15	2.90	2.90	0.070
LDNO 132kV/EHV: HV Site Specific Band 4			2.071	0.282	0.029	9795.80	2.90	2.90	0.070
LDNO 132kV/EHV: Unmetered Supplies			5.620	0.848	0.469				
LDNO 132kV/EHV: LV Generation Aggregated			-2.846	-0.621	-0.090	0.00			
LDNO 132kV/EHV: LV Sub Generation Aggregated			-2.765	-0.563	-0.079	0.00			
LDNO 132kV/EHV: LV Generation Site Specific			-2.846	-0.621	-0.090	0.00			0.161
LDNO 132kV/EHV: LV Sub Generation Site Specific			-2.765	-0.563	-0.079	0.00			0.156
LDNO 132kV/EHV: HV Generation Site Specific			-3.874	-0.588	-0.069	50.66			0.240
LDNO 132kV: Domestic Aggregated or CT with Residual			1.099	0.240	0.035	1.68			
LDNO 132kV: Domestic Aggregated (related MPAN)			1.099	0.240	0.035				
LDNO 132kV: Non-Domestic Aggregated or CT No Residual			1.175	0.257	0.037	0.52			

Tariff name	Unique billing identifier	PCs	Red/black unit charge p/kWh	Amber/yellow unit charge p/kWh	Green unit charge p/kWh	Fixed charge p/MPAN/day	Capacity charge p/kVA/day	Exceeded capacity charge p/kVA/day	Reactive power charge p/kVArh
LDNO 132kV: Non-Domestic Aggregated or CT Band 1			1.175	0.257	0.037	1.91			
LDNO 132kV: Non-Domestic Aggregated or CT Band 2			1.175	0.257	0.037	3.55			
LDNO 132kV: Non-Domestic Aggregated or CT Band 3			1.175	0.257	0.037	6.99			
LDNO 132kV: Non-Domestic Aggregated or CT Band 4			1.175	0.257	0.037	19.30			
LDNO 132kV: Non-Domestic Aggregated (related MPAN)			1.175	0.257	0.037				
LDNO 132kV: LV Site Specific No Residual			0.841	0.164	0.023	1.74	0.49	0.49	0.045
LDNO 132kV: LV Site Specific Band 1			0.841	0.164	0.023	39.09	0.49	0.49	0.045
LDNO 132kV: LV Site Specific Band 2			0.841	0.164	0.023	72.95	0.49	0.49	0.045
LDNO 132kV: LV Site Specific Band 3			0.841	0.164	0.023	112.30	0.49	0.49	0.045
LDNO 132kV: LV Site Specific Band 4			0.841	0.164	0.023	256.50	0.49	0.49	0.045
LDNO 132kV: LV Sub Site Specific No Residual			1.022	0.155	0.018	0.97	1.21	1.21	0.039
LDNO 132kV: LV Sub Site Specific Band 1			1.022	0.155	0.018	59.95	1.21	1.21	0.039
LDNO 132kV: LV Sub Site Specific Band 2			1.022	0.155	0.018	113.40	1.21	1.21	0.039
LDNO 132kV: LV Sub Site Specific Band 3			1.022	0.155	0.018	175.53	1.21	1.21	0.039
LDNO 132kV: LV Sub Site Specific Band 4			1.022	0.155	0.018	403.21	1.21	1.21	0.039
LDNO 132kV: HV Site Specific No Residual			0.901	0.123	0.013	16.44	1.26	1.26	0.030
LDNO 132kV: HV Site Specific Band 1			0.901	0.123	0.013	364.26	1.26	1.26	0.030
LDNO 132kV: HV Site Specific Band 2			0.901	0.123	0.013	1081.93	1.26	1.26	0.030
LDNO 132kV: HV Site Specific Band 3			0.901	0.123	0.013	2327.71	1.26	1.26	0.030
LDNO 132kV: HV Site Specific Band 4			0.901	0.123	0.013	4262.69	1.26	1.26	0.030
LDNO 132kV: Unmetered Supplies			2.445	0.369	0.204				
LDNO 132kV: LV Generation Aggregated			-1.239	-0.270	-0.039	0.00			
LDNO 132kV: LV Sub Generation Aggregated			-1.203	-0.245	-0.034	0.00			
LDNO 132kV: LV Generation Site Specific			-1.239	-0.270	-0.039	0.00			0.070
LDNO 132kV: LV Sub Generation Site Specific			-1.203	-0.245	-0.034	0.00			0.068
LDNO 132kV: HV Generation Site Specific			-1.686	-0.256	-0.030	22.05			0.104
LDNO 0000: Domestic Aggregated or CT with Residual			0.000	0.000	0.000	0.00			
LDNO 0000: Domestic Aggregated (related MPAN)			0.000	0.000	0.000				
LDNO 0000: Non-Domestic Aggregated or CT No Residual			0.000	0.000	0.000	0.00			
LDNO 0000: Non-Domestic Aggregated or CT Band 1			0.000	0.000	0.000	0.00			
LDNO 0000: Non-Domestic Aggregated or CT Band 2			0.000	0.000	0.000	0.00			
LDNO 0000: Non-Domestic Aggregated or CT Band 3			0.000	0.000	0.000	0.00			

Tariff name	Unique billing identifier	PCs	Red/black unit charge p/kWh	Amber/yellow unit charge p/kWh	Green unit charge p/kWh	Fixed charge p/MPAN/day	Capacity charge p/kVA/day	Exceeded capacity charge p/kVA/day	Reactive power charge p/kVArh
LDNO 0000: Non-Domestic Aggregated or CT Band 4			0.000	0.000	0.000	0.00			
LDNO 0000: Non-Domestic Aggregated (related MPAN)			0.000	0.000	0.000				
LDNO 0000: LV Site Specific No Residual			0.000	0.000	0.000	0.00	0.00	0.00	0.000
LDNO 0000: LV Site Specific Band 1			0.000	0.000	0.000	0.00	0.00	0.00	0.000
LDNO 0000: LV Site Specific Band 2			0.000	0.000	0.000	0.00	0.00	0.00	0.000
LDNO 0000: LV Site Specific Band 3			0.000	0.000	0.000	0.00	0.00	0.00	0.000
LDNO 0000: LV Site Specific Band 4			0.000	0.000	0.000	0.00	0.00	0.00	0.000
LDNO 0000: LV Sub Site Specific No Residual			0.000	0.000	0.000	0.00	0.00	0.00	0.000
LDNO 0000: LV Sub Site Specific Band 1			0.000	0.000	0.000	0.00	0.00	0.00	0.000
LDNO 0000: LV Sub Site Specific Band 2			0.000	0.000	0.000	0.00	0.00	0.00	0.000
LDNO 0000: LV Sub Site Specific Band 3			0.000	0.000	0.000	0.00	0.00	0.00	0.000
LDNO 0000: LV Sub Site Specific Band 4			0.000	0.000	0.000	0.00	0.00	0.00	0.000
LDNO 0000: HV Site Specific No Residual			0.000	0.000	0.000	0.00	0.00	0.00	0.000
LDNO 0000: HV Site Specific Band 1			0.000	0.000	0.000	0.00	0.00	0.00	0.000
LDNO 0000: HV Site Specific Band 2			0.000	0.000	0.000	0.00	0.00	0.00	0.000
LDNO 0000: HV Site Specific Band 3			0.000	0.000	0.000	0.00	0.00	0.00	0.000
LDNO 0000: HV Site Specific Band 4			0.000	0.000	0.000	0.00	0.00	0.00	0.000
LDNO 0000: Unmetered Supplies			0.000	0.000	0.000				
LDNO 0000: LV Generation Aggregated			0.000	0.000	0.000	0.00			
LDNO 0000: LV Sub Generation Aggregated			0.000	0.000	0.000	0.00			
LDNO 0000: LV Generation Site Specific			0.000	0.000	0.000	0.00			0.000
LDNO 0000: LV Sub Generation Site Specific			0.000	0.000	0.000	0.00			0.000
LDNO 0000: HV Generation Site Specific			0.000	0.000	0.000	0.00			0.000

Annex 4 - Charges applied to LDNOs with HV/LV end users in “NGED West Midlands Area (GSP Group _E)”

Southern Electric Power Distribution plc - Effective from 1st April 2026 - Final LDNO tariffs in NGED West Midlands Area (GSP Group _E)

Time Bands for LV and HV Properties			
Time periods	Red Time Band	Amber Time Band	Green Time Band
Monday to Friday (Including Bank Holidays) All Year	16:00 to 19:00	07:30 to 16:00 19:00 to 21:00	00:00 to 07:30 21:00 to 24:00
Saturday and Sunday All Year			00:00 to 24:00
Notes	All the above times are in UK Clock time		

Time Bands for Unmetered Properties			
	Black Time Band	Yellow Time Band	Green Time Band
Monday to Friday (Including Bank Holidays) Nov to Feb Inclusive	16:00 to 19:00	07:30 to 16:00 19:00 to 21:00	00:00 to 07:30 21:00 to 24:00
Monday to Friday (Including Bank Holidays) Mar to Oct Inclusive		07:30 to 21:00	00:00 to 07:30 21:00 to 24:00
Saturday and Sunday All Year			00:00 to 24:00
Notes	All the above times are in UK Clock time		

Tariff name	Unique billing identifier	PCs	Red/black unit charge p/kWh	Amber/yellow unit charge p/kWh	Green unit charge p/kWh	Fixed charge p/MPAN/day	Capacity charge p/kVA/day	Exceeded capacity charge p/kVA/day	Reactive power charge p/kVArh
LDNO LV: Domestic Aggregated or CT with Residual		0, 1, 2	7.307	0.937	0.128	9.14			
LDNO LV: Domestic Aggregated (related MPAN)		2	7.307	0.937	0.128				
LDNO LV: Non-Domestic Aggregated or CT No Residual		0, 3, 4, 5-8	6.820	0.874	0.120	9.46			
LDNO LV: Non-Domestic Aggregated or CT Band 1		0, 3, 4, 5-8	6.820	0.874	0.120	11.47			
LDNO LV: Non-Domestic Aggregated or CT Band 2		0, 3, 4, 5-8	6.820	0.874	0.120	17.26			
LDNO LV: Non-Domestic Aggregated or CT Band 3		0, 3, 4, 5-8	6.820	0.874	0.120	26.25			
LDNO LV: Non-Domestic Aggregated or CT Band 4		0, 3, 4, 5-8	6.820	0.874	0.120	53.14			
LDNO LV: Non-Domestic Aggregated (related MPAN)		4	6.820	0.874	0.120				
LDNO LV: LV Site Specific No Residual		0	4.303	0.546	0.066	9.70	7.04	7.04	0.076
LDNO LV: LV Site Specific Band 1		0	4.303	0.546	0.066	85.60	7.04	7.04	0.076
LDNO LV: LV Site Specific Band 2		0	4.303	0.546	0.066	145.16	7.04	7.04	0.076
LDNO LV: LV Site Specific Band 3		0	4.303	0.546	0.066	223.85	7.04	7.04	0.076

Tariff name	Unique billing identifier	PCs	Red/black unit charge p/kWh	Amber/yellow unit charge p/kWh	Green unit charge p/kWh	Fixed charge p/MPAN/day	Capacity charge p/kVA/day	Exceeded capacity charge p/kVA/day	Reactive power charge p/kVArh
LDNO LV: LV Site Specific Band 4		0	4.303	0.546	0.066	385.21	7.04	7.04	0.076
LDNO LV: Unmetered Supplies		0, 1 or 8	26.511	2.028	1.165				
LDNO LV: LV Generation Aggregated		0	-7.093	-0.909	-0.124	0.00			
LDNO LV: LV Generation Site Specific		0	-7.093	-0.909	-0.124	0.00			0.158
LDNO HV: Domestic Aggregated or CT with Residual		0, 1, 2	5.632	0.722	0.099	7.05			
LDNO HV: Domestic Aggregated (Related MPAN)		2	5.632	0.722	0.099				
LDNO HV: Non-Domestic Aggregated or CT No Residual		0, 3, 4, 5-8	5.256	0.674	0.092	7.29			
LDNO HV: Non-Domestic Aggregated or CT Band 1		0, 3, 4, 5-8	5.256	0.674	0.092	8.84			
LDNO HV: Non-Domestic Aggregated or CT Band 2		0, 3, 4, 5-8	5.256	0.674	0.092	13.30			
LDNO HV: Non-Domestic Aggregated or CT Band 3		0, 3, 4, 5-8	5.256	0.674	0.092	20.23			
LDNO HV: Non-Domestic Aggregated or CT Band 4		0, 3, 4, 5-8	5.256	0.674	0.092	40.96			
LDNO HV: Non-Domestic Aggregated (related MPAN)		4	5.256	0.674	0.092				
LDNO HV: LV Site Specific No Residual		0	3.316	0.421	0.051	7.48	5.43	5.43	0.058
LDNO HV: LV Site Specific Band 1		0	3.316	0.421	0.051	65.97	5.43	5.43	0.058
LDNO HV: LV Site Specific Band 2		0	3.316	0.421	0.051	111.87	5.43	5.43	0.058
LDNO HV: LV Site Specific Band 3		0	3.316	0.421	0.051	172.52	5.43	5.43	0.058
LDNO HV: LV Site Specific Band 4		0	3.316	0.421	0.051	296.88	5.43	5.43	0.058
LDNO HV: LV Sub Site Specific No Residual		0	2.873	0.354	0.025	9.15	7.33	7.33	0.049
LDNO HV: LV Sub Site Specific Band 1		0	2.873	0.354	0.025	100.90	7.33	7.33	0.049
LDNO HV: LV Sub Site Specific Band 2		0	2.873	0.354	0.025	172.91	7.33	7.33	0.049
LDNO HV: LV Sub Site Specific Band 3		0	2.873	0.354	0.025	268.04	7.33	7.33	0.049
LDNO HV: LV Sub Site Specific Band 4		0	2.873	0.354	0.025	463.10	7.33	7.33	0.049
LDNO HV: HV Site Specific No Residual		0	1.618	0.189	0.010	97.11	8.50	8.50	0.025
LDNO HV: HV Site Specific Band 1		0	1.618	0.189	0.010	756.85	8.50	8.50	0.025
LDNO HV: HV Site Specific Band 2		0	1.618	0.189	0.010	2087.70	8.50	8.50	0.025
LDNO HV: HV Site Specific Band 3		0	1.618	0.189	0.010	4061.97	8.50	8.50	0.025
LDNO HV: HV Site Specific Band 4		0	1.618	0.189	0.010	9012.97	8.50	8.50	0.025
LDNO HV: Unmetered Supplies		0, 1 or 8	20.432	1.563	0.898				
LDNO HV: LV Generation Aggregated		0	-7.093	-0.909	-0.124	0.00			
LDNO HV: LV Sub Generation Aggregated		0	-5.590	-0.712	-0.090	0.00			
LDNO HV: LV Generation Site Specific		0	-7.093	-0.909	-0.124	0.00			0.158
LDNO HV: LV Sub Generation Site Specific		0	-5.590	-0.712	-0.090	0.00			0.106
LDNO HV: HV Generation Site Specific		0	-2.752	-0.339	-0.024	0.00			0.083

Tariff name	Unique billing identifier	PCs	Red/black unit charge p/kWh	Amber/yellow unit charge p/kWh	Green unit charge p/kWh	Fixed charge p/MPAN/day	Capacity charge p/kVA/day	Exceeded capacity charge p/kVA/day	Reactive power charge p/kVArh
LDNO HVplus: Domestic Aggregated or CT with Residual		0, 1, 2	4.509	0.578	0.079	5.64			
LDNO HVplus: Domestic Aggregated (related MPAN)		2	4.509	0.578	0.079				
LDNO HVplus: Non-Domestic Aggregated or CT No Residual		0, 3, 4, 5-8	4.208	0.539	0.074	5.84			
LDNO HVplus: Non-Domestic Aggregated or CT Band 1		0, 3, 4, 5-8	4.208	0.539	0.074	7.08			
LDNO HVplus: Non-Domestic Aggregated or CT Band 2		0, 3, 4, 5-8	4.208	0.539	0.074	10.65			
LDNO HVplus: Non-Domestic Aggregated or CT Band 3		0, 3, 4, 5-8	4.208	0.539	0.074	16.20			
LDNO HVplus: Non-Domestic Aggregated or CT Band 4		0, 3, 4, 5-8	4.208	0.539	0.074	32.79			
LDNO HVplus: Non-Domestic Aggregated (related MPAN)		4	4.208	0.539	0.074				
LDNO HVplus: LV Site Specific No Residual		0	2.655	0.337	0.041	5.99	4.34	4.34	0.047
LDNO HVplus: LV Site Specific Band 1		0	2.655	0.337	0.041	52.81	4.34	4.34	0.047
LDNO HVplus: LV Site Specific Band 2		0	2.655	0.337	0.041	89.57	4.34	4.34	0.047
LDNO HVplus: LV Site Specific Band 3		0	2.655	0.337	0.041	138.12	4.34	4.34	0.047
LDNO HVplus: LV Site Specific Band 4		0	2.655	0.337	0.041	237.68	4.34	4.34	0.047
LDNO HVplus: LV Sub Site Specific No Residual		0	2.252	0.277	0.020	7.18	5.75	5.75	0.038
LDNO HVplus: LV Sub Site Specific Band 1		0	2.252	0.277	0.020	79.10	5.75	5.75	0.038
LDNO HVplus: LV Sub Site Specific Band 2		0	2.252	0.277	0.020	135.55	5.75	5.75	0.038
LDNO HVplus: LV Sub Site Specific Band 3		0	2.252	0.277	0.020	210.13	5.75	5.75	0.038
LDNO HVplus: LV Sub Site Specific Band 4		0	2.252	0.277	0.020	363.04	5.75	5.75	0.038
LDNO HVplus: HV Site Specific No Residual		0	1.258	0.147	0.008	75.46	6.60	6.60	0.019
LDNO HVplus: HV Site Specific Band 1		0	1.258	0.147	0.008	588.10	6.60	6.60	0.019
LDNO HVplus: HV Site Specific Band 2		0	1.258	0.147	0.008	1622.20	6.60	6.60	0.019
LDNO HVplus: HV Site Specific Band 3		0	1.258	0.147	0.008	3156.27	6.60	6.60	0.019
LDNO HVplus: HV Site Specific Band 4		0	1.258	0.147	0.008	7003.35	6.60	6.60	0.019
LDNO HVplus: Unmetered Supplies		0, 1 or 8	16.358	1.252	0.719				
LDNO HVplus: LV Generation Aggregated		0	-4.440	-0.569	-0.078	0.00			
LDNO HVplus: LV Sub Generation Aggregated		0	-3.986	-0.508	-0.064	0.00			
LDNO HVplus: LV Generation Site Specific		0	-4.440	-0.569	-0.078	0.00			0.099
LDNO HVplus: LV Sub Generation Site Specific		0	-3.986	-0.508	-0.064	0.00			0.076

Tariff name	Unique billing identifier	PCs	Red/black unit charge p/kWh	Amber/yellow unit charge p/kWh	Green unit charge p/kWh	Fixed charge p/MPAN/day	Capacity charge p/kVA/day	Exceeded capacity charge p/kVA/day	Reactive power charge p/kVArh
LDNO HVplus: HV Generation Site Specific		0	-2.752	-0.339	-0.024	66.24			0.083
LDNO EHV: Domestic Aggregated or CT with Residual		0, 1, 2	3.643	0.467	0.064	4.56			
LDNO EHV: Domestic Aggregated (related MPAN)		2	3.643	0.467	0.064				
LDNO EHV: Non-Domestic Aggregated or CT No Residual		0, 3, 4, 5-8	3.400	0.436	0.060	4.72			
LDNO EHV: Non-Domestic Aggregated or CT Band 1		0, 3, 4, 5-8	3.400	0.436	0.060	5.72			
LDNO EHV: Non-Domestic Aggregated or CT Band 2		0, 3, 4, 5-8	3.400	0.436	0.060	8.60			
LDNO EHV: Non-Domestic Aggregated or CT Band 3		0, 3, 4, 5-8	3.400	0.436	0.060	13.09			
LDNO EHV: Non-Domestic Aggregated or CT Band 4		0, 3, 4, 5-8	3.400	0.436	0.060	26.49			
LDNO EHV: Non-Domestic Aggregated (related MPAN)		4	3.400	0.436	0.060				
LDNO EHV: LV Site Specific No Residual		0	2.145	0.272	0.033	4.84	3.51	3.51	0.038
LDNO EHV: LV Site Specific Band 1		0	2.145	0.272	0.033	42.67	3.51	3.51	0.038
LDNO EHV: LV Site Specific Band 2		0	2.145	0.272	0.033	72.36	3.51	3.51	0.038
LDNO EHV: LV Site Specific Band 3		0	2.145	0.272	0.033	111.59	3.51	3.51	0.038
LDNO EHV: LV Site Specific Band 4		0	2.145	0.272	0.033	192.02	3.51	3.51	0.038
LDNO EHV: LV Sub Site Specific No Residual		0	1.820	0.224	0.016	5.80	4.64	4.64	0.031
LDNO EHV: LV Sub Site Specific Band 1		0	1.820	0.224	0.016	63.91	4.64	4.64	0.031
LDNO EHV: LV Sub Site Specific Band 2		0	1.820	0.224	0.016	109.51	4.64	4.64	0.031
LDNO EHV: LV Sub Site Specific Band 3		0	1.820	0.224	0.016	169.76	4.64	4.64	0.031
LDNO EHV: LV Sub Site Specific Band 4		0	1.820	0.224	0.016	293.30	4.64	4.64	0.031
LDNO EHV: HV Site Specific No Residual		0	1.016	0.118	0.006	60.96	5.33	5.33	0.016
LDNO EHV: HV Site Specific Band 1		0	1.016	0.118	0.006	475.13	5.33	5.33	0.016
LDNO EHV: HV Site Specific Band 2		0	1.016	0.118	0.006	1310.59	5.33	5.33	0.016
LDNO EHV: HV Site Specific Band 3		0	1.016	0.118	0.006	2549.97	5.33	5.33	0.016
LDNO EHV: HV Site Specific Band 4		0	1.016	0.118	0.006	5658.05	5.33	5.33	0.016
LDNO EHV: Unmetered Supplies		0, 1 or 8	13.215	1.011	0.581				
LDNO EHV: LV Generation Aggregated		0	-3.587	-0.460	-0.063	0.00			
LDNO EHV: LV Sub Generation Aggregated		0	-3.220	-0.410	-0.052	0.00			
LDNO EHV: LV Generation Site Specific		0	-3.587	-0.460	-0.063	0.00			0.080
LDNO EHV: LV Sub Generation Site Specific		0	-3.220	-0.410	-0.052	0.00			0.061
LDNO EHV: HV Generation Site Specific		0	-2.223	-0.274	-0.020	53.52			0.067
LDNO 132kV/EHV: Domestic Aggregated or CT with Residual		0, 1, 2	3.491	0.448	0.061	4.37			

Tariff name	Unique billing identifier	PCs	Red/black unit charge p/kWh	Amber/yellow unit charge p/kWh	Green unit charge p/kWh	Fixed charge p/MPAN/day	Capacity charge p/kVA/day	Exceeded capacity charge p/kVA/day	Reactive power charge p/kVArh
LDNO 132kV/EHV: Domestic Aggregated (related MPAN)		2	3.491	0.448	0.061				
LDNO 132kV/EHV: Non-Domestic Aggregated or CT No Residual		0, 3, 4, 5-8	3.258	0.418	0.057	4.52			
LDNO 132kV/EHV: Non-Domestic Aggregated or CT Band 1		0, 3, 4, 5-8	3.258	0.418	0.057	5.48			
LDNO 132kV/EHV: Non-Domestic Aggregated or CT Band 2		0, 3, 4, 5-8	3.258	0.418	0.057	8.25			
LDNO 132kV/EHV: Non-Domestic Aggregated or CT Band 3		0, 3, 4, 5-8	3.258	0.418	0.057	12.54			
LDNO 132kV/EHV: Non-Domestic Aggregated or CT Band 4		0, 3, 4, 5-8	3.258	0.418	0.057	25.39			
LDNO 132kV/EHV: Non-Domestic Aggregated (related MPAN)		4	3.258	0.418	0.057				
LDNO 132kV/EHV: LV Site Specific No Residual		0	2.056	0.261	0.031	4.63	3.36	3.36	0.036
LDNO 132kV/EHV: LV Site Specific Band 1		0	2.056	0.261	0.031	40.89	3.36	3.36	0.036
LDNO 132kV/EHV: LV Site Specific Band 2		0	2.056	0.261	0.031	69.35	3.36	3.36	0.036
LDNO 132kV/EHV: LV Site Specific Band 3		0	2.056	0.261	0.031	106.95	3.36	3.36	0.036
LDNO 132kV/EHV: LV Site Specific Band 4		0	2.056	0.261	0.031	184.04	3.36	3.36	0.036
LDNO 132kV/EHV: LV Sub Site Specific No Residual		0	1.744	0.215	0.015	5.56	4.45	4.45	0.030
LDNO 132kV/EHV: LV Sub Site Specific Band 1		0	1.744	0.215	0.015	61.25	4.45	4.45	0.030
LDNO 132kV/EHV: LV Sub Site Specific Band 2		0	1.744	0.215	0.015	104.96	4.45	4.45	0.030
LDNO 132kV/EHV: LV Sub Site Specific Band 3		0	1.744	0.215	0.015	162.70	4.45	4.45	0.030
LDNO 132kV/EHV: LV Sub Site Specific Band 4		0	1.744	0.215	0.015	281.11	4.45	4.45	0.030
LDNO 132kV/EHV: HV Site Specific No Residual		0	0.974	0.113	0.006	58.43	5.11	5.11	0.015
LDNO 132kV/EHV: HV Site Specific Band 1		0	0.974	0.113	0.006	455.37	5.11	5.11	0.015
LDNO 132kV/EHV: HV Site Specific Band 2		0	0.974	0.113	0.006	1256.11	5.11	5.11	0.015
LDNO 132kV/EHV: HV Site Specific Band 3		0	0.974	0.113	0.006	2443.97	5.11	5.11	0.015
LDNO 132kV/EHV: HV Site Specific Band 4		0	0.974	0.113	0.006	5422.85	5.11	5.11	0.015
LDNO 132kV/EHV: Unmetered Supplies		0, 1 or 8	12.666	0.969	0.557				
LDNO 132kV/EHV: LV Generation Aggregated		0	-3.438	-0.441	-0.060	0.00			
LDNO 132kV/EHV: LV Sub Generation Aggregated		0	-3.086	-0.393	-0.050	0.00			
LDNO 132kV/EHV: LV Generation Site Specific		0	-3.438	-0.441	-0.060	0.00			0.077
LDNO 132kV/EHV: LV Sub Generation Site Specific		0	-3.086	-0.393	-0.050	0.00			0.058
LDNO 132kV/EHV: HV Generation Site Specific		0	-2.131	-0.262	-0.019	51.29			0.064

Tariff name	Unique billing identifier	PCs	Red/black unit charge p/kWh	Amber/yellow unit charge p/kWh	Green unit charge p/kWh	Fixed charge p/MPAN/day	Capacity charge p/kVA/day	Exceeded capacity charge p/kVA/day	Reactive power charge p/kVArh
LDNO 132kV: Domestic Aggregated or CT with Residual		0, 1, 2	2.287	0.293	0.040	2.86			
LDNO 132kV: Domestic Aggregated (related MPAN)		2	2.287	0.293	0.040				
LDNO 132kV: Non-Domestic Aggregated or CT No Residual		0, 3, 4, 5-8	2.134	0.274	0.037	2.96			
LDNO 132kV: Non-Domestic Aggregated or CT Band 1		0, 3, 4, 5-8	2.134	0.274	0.037	3.59			
LDNO 132kV: Non-Domestic Aggregated or CT Band 2		0, 3, 4, 5-8	2.134	0.274	0.037	5.40			
LDNO 132kV: Non-Domestic Aggregated or CT Band 3		0, 3, 4, 5-8	2.134	0.274	0.037	8.22			
LDNO 132kV: Non-Domestic Aggregated or CT Band 4		0, 3, 4, 5-8	2.134	0.274	0.037	16.63			
LDNO 132kV: Non-Domestic Aggregated (related MPAN)		4	2.134	0.274	0.037				
LDNO 132kV: LV Site Specific No Residual		0	1.346	0.171	0.021	3.04	2.20	2.20	0.024
LDNO 132kV: LV Site Specific Band 1		0	1.346	0.171	0.021	26.78	2.20	2.20	0.024
LDNO 132kV: LV Site Specific Band 2		0	1.346	0.171	0.021	45.42	2.20	2.20	0.024
LDNO 132kV: LV Site Specific Band 3		0	1.346	0.171	0.021	70.04	2.20	2.20	0.024
LDNO 132kV: LV Site Specific Band 4		0	1.346	0.171	0.021	120.53	2.20	2.20	0.024
LDNO 132kV: LV Sub Site Specific No Residual		0	1.142	0.141	0.010	3.64	2.91	2.91	0.019
LDNO 132kV: LV Sub Site Specific Band 1		0	1.142	0.141	0.010	40.11	2.91	2.91	0.019
LDNO 132kV: LV Sub Site Specific Band 2		0	1.142	0.141	0.010	68.74	2.91	2.91	0.019
LDNO 132kV: LV Sub Site Specific Band 3		0	1.142	0.141	0.010	106.56	2.91	2.91	0.019
LDNO 132kV: LV Sub Site Specific Band 4		0	1.142	0.141	0.010	184.11	2.91	2.91	0.019
LDNO 132kV: HV Site Specific No Residual		0	0.638	0.074	0.004	38.27	3.35	3.35	0.010
LDNO 132kV: HV Site Specific Band 1		0	0.638	0.074	0.004	298.24	3.35	3.35	0.010
LDNO 132kV: HV Site Specific Band 2		0	0.638	0.074	0.004	822.66	3.35	3.35	0.010
LDNO 132kV: HV Site Specific Band 3		0	0.638	0.074	0.004	1600.63	3.35	3.35	0.010
LDNO 132kV: HV Site Specific Band 4		0	0.638	0.074	0.004	3551.58	3.35	3.35	0.010
LDNO 132kV: Unmetered Supplies		0, 1 or 8	8.295	0.635	0.365				
LDNO 132kV: LV Generation Aggregated		0	-2.252	-0.289	-0.039	0.00			
LDNO 132kV: LV Sub Generation Aggregated		0	-2.021	-0.257	-0.033	0.00			
LDNO 132kV: LV Generation Site Specific		0	-2.252	-0.289	-0.039	0.00			0.050
LDNO 132kV: LV Sub Generation Site Specific		0	-2.021	-0.257	-0.033	0.00			0.038
LDNO 132kV: HV Generation Site Specific		0	-1.396	-0.172	-0.012	33.59			0.042
LDNO 0000: Domestic Aggregated or CT with Residual		0, 1, 2	0.480	0.061	0.008	0.60			
LDNO 0000: Domestic Aggregated (related MPAN)		2	0.480	0.061	0.008				

Tariff name	Unique billing identifier	PCs	Red/black unit charge p/kWh	Amber/yellow unit charge p/kWh	Green unit charge p/kWh	Fixed charge p/MPAN/day	Capacity charge p/kVA/day	Exceeded capacity charge p/kVA/day	Reactive power charge p/kVArh
LDNO 0000: Non-Domestic Aggregated or CT No Residual		0, 3, 4, 5-8	0.448	0.057	0.008	0.62			
LDNO 0000: Non-Domestic Aggregated or CT Band 1		0, 3, 4, 5-8	0.448	0.057	0.008	0.75			
LDNO 0000: Non-Domestic Aggregated or CT Band 2		0, 3, 4, 5-8	0.448	0.057	0.008	1.13			
LDNO 0000: Non-Domestic Aggregated or CT Band 3		0, 3, 4, 5-8	0.448	0.057	0.008	1.72			
LDNO 0000: Non-Domestic Aggregated or CT Band 4		0, 3, 4, 5-8	0.448	0.057	0.008	3.49			
LDNO 0000: Non-Domestic Aggregated (related MPAN)		4	0.448	0.057	0.008				
LDNO 0000: LV Site Specific No Residual		0	0.282	0.036	0.004	0.64	0.46	0.46	0.005
LDNO 0000: LV Site Specific Band 1		0	0.282	0.036	0.004	5.62	0.46	0.46	0.005
LDNO 0000: LV Site Specific Band 2		0	0.282	0.036	0.004	9.53	0.46	0.46	0.005
LDNO 0000: LV Site Specific Band 3		0	0.282	0.036	0.004	14.69	0.46	0.46	0.005
LDNO 0000: LV Site Specific Band 4		0	0.282	0.036	0.004	25.28	0.46	0.46	0.005
LDNO 0000: LV Sub Site Specific No Residual		0	0.240	0.030	0.002	0.76	0.61	0.61	0.004
LDNO 0000: LV Sub Site Specific Band 1		0	0.240	0.030	0.002	8.41	0.61	0.61	0.004
LDNO 0000: LV Sub Site Specific Band 2		0	0.240	0.030	0.002	14.42	0.61	0.61	0.004
LDNO 0000: LV Sub Site Specific Band 3		0	0.240	0.030	0.002	22.35	0.61	0.61	0.004
LDNO 0000: LV Sub Site Specific Band 4		0	0.240	0.030	0.002	38.61	0.61	0.61	0.004
LDNO 0000: HV Site Specific No Residual		0	0.134	0.016	0.001	8.02	0.70	0.70	0.002
LDNO 0000: HV Site Specific Band 1		0	0.134	0.016	0.001	62.54	0.70	0.70	0.002
LDNO 0000: HV Site Specific Band 2		0	0.134	0.016	0.001	172.52	0.70	0.70	0.002
LDNO 0000: HV Site Specific Band 3		0	0.134	0.016	0.001	335.67	0.70	0.70	0.002
LDNO 0000: HV Site Specific Band 4		0	0.134	0.016	0.001	744.81	0.70	0.70	0.002
LDNO 0000: Unmetered Supplies		0, 1 or 8	1.740	0.133	0.076				
LDNO 0000: LV Generation Aggregated		0	-0.472	-0.061	-0.008	0.00			
LDNO 0000: LV Sub Generation Aggregated		0	-0.424	-0.054	-0.007	0.00			
LDNO 0000: LV Generation Site Specific		0	-0.472	-0.061	-0.008	0.00			0.011
LDNO 0000: LV Sub Generation Site Specific		0	-0.424	-0.054	-0.007	0.00			0.008
LDNO 0000: HV Generation Site Specific		0	-0.293	-0.036	-0.003	7.04			0.009

Annex 4 - Charges applied to LDNOs with HV/LV end users in “Northern Powergrid (Northeast) Area (GSP Group _F)”

Southern Electric Power Distribution plc - Effective from 1st April 2026 - Final LDNO tariffs in NPG Northeast Area (GSP Group _F)

Time Bands for LV and HV Properties			
Time periods	Red Time Band	Amber Time Band	Green Time Band
Monday to Friday (Including Bank Holidays) All Year	16:00 to 19:30	08:00 to 16:00 19:30 to 22:00	00:00 to 08:00 22:00 to 24:00
Saturday and Sunday All Year			00:00 to 24:00
Notes	All the above times are in UK Clock time		

Time Bands for Unmetered Properties			
	Black Time Band	Yellow Time Band	Green Time Band
Monday to Friday (Including Bank Holidays) November to February Inclusive	16:00 to 19:30	08:00 to 16:00 19:30 to 22:00	00:00 to 08:00 22:00 to 24:00
Monday to Friday (Including Bank Holidays) April to October Inclusive and March		08:00 to 22:00	00:00 to 08:00 22:00 to 24:00
Saturday and Sunday All year			00:00 to 24:00
Notes	All the above times are in UK Clock time		

Tariff name	Unique billing identifier	PCs	Red/black unit charge p/kWh	Amber/yellow unit charge p/kWh	Green unit charge p/kWh	Fixed charge p/MPAN/day	Capacity charge p/kVA/day	Exceeded capacity charge p/kVA/day	Reactive power charge p/kVArh
LDNO LV: Domestic Aggregated or CT with Residual		0, 1, 2	6.631	1.004	0.141	10.60			
LDNO LV: Domestic Aggregated (related MPAN)		2	6.631	1.004	0.141				
LDNO LV: Non-Domestic Aggregated or CT No Residual		0, 3, 4, 5-8	7.565	1.146	0.161	8.68			
LDNO LV: Non-Domestic Aggregated or CT Band 1		0, 3, 4, 5-8	7.565	1.146	0.161	9.87			
LDNO LV: Non-Domestic Aggregated or CT Band 2		0, 3, 4, 5-8	7.565	1.146	0.161	11.92			
LDNO LV: Non-Domestic Aggregated or CT Band 3		0, 3, 4, 5-8	7.565	1.146	0.161	15.66			
LDNO LV: Non-Domestic Aggregated or CT Band 4		0, 3, 4, 5-8	7.565	1.146	0.161	27.48			
LDNO LV: Non-Domestic Aggregated (related MPAN)		4	7.565	1.146	0.161				
LDNO LV: LV Site Specific No Residual		0	5.028	0.741	0.106	8.99	3.23	3.23	0.096
LDNO LV: LV Site Specific Band 1		0	5.028	0.741	0.106	40.35	3.23	3.23	0.096
LDNO LV: LV Site Specific Band 2		0	5.028	0.741	0.106	76.64	3.23	3.23	0.096
LDNO LV: LV Site Specific Band 3		0	5.028	0.741	0.106	114.90	3.23	3.23	0.096
LDNO LV: LV Site Specific Band 4		0	5.028	0.741	0.106	284.89	3.23	3.23	0.096

Tariff name	Unique billing identifier	PCs	Red/black unit charge p/kWh	Amber/yellow unit charge p/kWh	Green unit charge p/kWh	Fixed charge p/MPAN/day	Capacity charge p/kVA/day	Exceeded capacity charge p/kVA/day	Reactive power charge p/kVArh
LDNO LV: Unmetered Supplies		0, 1, 8	19.755	1.070	0.294				
LDNO LV: LV Generation Aggregated		0, 8	(7.736)	(1.171)	(0.165)				
LDNO LV: LV Generation Site Specific		0	(7.736)	(1.171)	(0.165)				0.130
LDNO HV: Domestic Aggregated or CT with Residual		0, 1, 2	4.453	0.674	0.095	7.12			
LDNO HV: Domestic Aggregated (Related MPAN)		2	4.453	0.674	0.095				
LDNO HV: Non-Domestic Aggregated or CT No Residual		0, 3, 4, 5-8	5.081	0.769	0.108	5.83			
LDNO HV: Non-Domestic Aggregated or CT Band 1		0, 3, 4, 5-8	5.081	0.769	0.108	6.63			
LDNO HV: Non-Domestic Aggregated or CT Band 2		0, 3, 4, 5-8	5.081	0.769	0.108	8.01			
LDNO HV: Non-Domestic Aggregated or CT Band 3		0, 3, 4, 5-8	5.081	0.769	0.108	10.52			
LDNO HV: Non-Domestic Aggregated or CT Band 4		0, 3, 4, 5-8	5.081	0.769	0.108	18.46			
LDNO HV: Non-Domestic Aggregated (related MPAN)		4	5.081	0.769	0.108				
LDNO HV: LV Site Specific No Residual		0	3.377	0.497	0.071	6.04	2.17	2.17	0.064
LDNO HV: LV Site Specific Band 1		0	3.377	0.497	0.071	27.10	2.17	2.17	0.064
LDNO HV: LV Site Specific Band 2		0	3.377	0.497	0.071	51.47	2.17	2.17	0.064
LDNO HV: LV Site Specific Band 3		0	3.377	0.497	0.071	77.16	2.17	2.17	0.064
LDNO HV: LV Site Specific Band 4		0	3.377	0.497	0.071	191.33	2.17	2.17	0.064
LDNO HV: LV Sub Site Specific No Residual		0	3.129	0.423	0.063	10.30	3.48	3.48	0.059
LDNO HV: LV Sub Site Specific Band 1		0	3.129	0.423	0.063	46.19	3.48	3.48	0.059
LDNO HV: LV Sub Site Specific Band 2		0	3.129	0.423	0.063	87.72	3.48	3.48	0.059
LDNO HV: LV Sub Site Specific Band 3		0	3.129	0.423	0.063	131.51	3.48	3.48	0.059
LDNO HV: LV Sub Site Specific Band 4		0	3.129	0.423	0.063	326.08	3.48	3.48	0.059
LDNO HV: HV Site Specific No Residual		0	2.826	0.355	0.054	262.95	4.65	4.65	0.052
LDNO HV: HV Site Specific Band 1		0	2.826	0.355	0.054	566.07	4.65	4.65	0.052
LDNO HV: HV Site Specific Band 2		0	2.826	0.355	0.054	1093.12	4.65	4.65	0.052
LDNO HV: HV Site Specific Band 3		0	2.826	0.355	0.054	1746.65	4.65	4.65	0.052
LDNO HV: HV Site Specific Band 4		0	2.826	0.355	0.054	4303.26	4.65	4.65	0.052
LDNO HV: Unmetered Supplies		0, 1, 8	13.267	0.718	0.197				
LDNO HV: LV Generation Aggregated		0, 8	(7.736)	(1.171)	(0.165)				
LDNO HV: LV Sub Generation Aggregated		8	(6.518)	(0.972)	(0.138)				
LDNO HV: LV Generation Site Specific		0	(7.736)	(1.171)	(0.165)				0.130
LDNO HV: LV Sub Generation Site Specific		0	(6.518)	(0.972)	(0.138)				0.122
LDNO HV: HV Generation Site Specific		0	(3.884)	(0.525)	(0.078)				0.108

Tariff name	Unique billing identifier	PCs	Red/black unit charge p/kWh	Amber/yellow unit charge p/kWh	Green unit charge p/kWh	Fixed charge p/MPAN/day	Capacity charge p/kVA/day	Exceeded capacity charge p/kVA/day	Reactive power charge p/kVArh
LDNO HVplus: Domestic Aggregated or CT with Residual		0, 1, 2	3.089	0.468	0.066	4.94			
LDNO HVplus: Domestic Aggregated (related MPAN)		2	3.089	0.468	0.066				
LDNO HVplus: Non-Domestic Aggregated or CT No Residual		0, 3, 4, 5-8	3.525	0.534	0.075	4.04			
LDNO HVplus: Non-Domestic Aggregated or CT Band 1		0, 3, 4, 5-8	3.525	0.534	0.075	4.60			
LDNO HVplus: Non-Domestic Aggregated or CT Band 2		0, 3, 4, 5-8	3.525	0.534	0.075	5.56			
LDNO HVplus: Non-Domestic Aggregated or CT Band 3		0, 3, 4, 5-8	3.525	0.534	0.075	7.30			
LDNO HVplus: Non-Domestic Aggregated or CT Band 4		0, 3, 4, 5-8	3.525	0.534	0.075	12.80			
LDNO HVplus: Non-Domestic Aggregated (related MPAN)		4	3.525	0.534	0.075				
LDNO HVplus: LV Site Specific No Residual		0	2.343	0.345	0.049	4.19	1.51	1.51	0.045
LDNO HVplus: LV Site Specific Band 1		0	2.343	0.345	0.049	18.80	1.51	1.51	0.045
LDNO HVplus: LV Site Specific Band 2		0	2.343	0.345	0.049	35.71	1.51	1.51	0.045
LDNO HVplus: LV Site Specific Band 3		0	2.343	0.345	0.049	53.53	1.51	1.51	0.045
LDNO HVplus: LV Site Specific Band 4		0	2.343	0.345	0.049	132.73	1.51	1.51	0.045
LDNO HVplus: LV Sub Site Specific No Residual		0	2.141	0.289	0.043	7.04	2.38	2.38	0.040
LDNO HVplus: LV Sub Site Specific Band 1		0	2.141	0.289	0.043	31.60	2.38	2.38	0.040
LDNO HVplus: LV Sub Site Specific Band 2		0	2.141	0.289	0.043	60.02	2.38	2.38	0.040
LDNO HVplus: LV Sub Site Specific Band 3		0	2.141	0.289	0.043	89.98	2.38	2.38	0.040
LDNO HVplus: LV Sub Site Specific Band 4		0	2.141	0.289	0.043	223.10	2.38	2.38	0.040
LDNO HVplus: HV Site Specific No Residual		0	1.913	0.240	0.037	177.99	3.15	3.15	0.035
LDNO HVplus: HV Site Specific Band 1		0	1.913	0.240	0.037	383.17	3.15	3.15	0.035
LDNO HVplus: HV Site Specific Band 2		0	1.913	0.240	0.037	739.94	3.15	3.15	0.035
LDNO HVplus: HV Site Specific Band 3		0	1.913	0.240	0.037	1182.32	3.15	3.15	0.035
LDNO HVplus: HV Site Specific Band 4		0	1.913	0.240	0.037	2912.89	3.15	3.15	0.035
LDNO HVplus: Unmetered Supplies		0, 1, 8	9.204	0.498	0.137				
LDNO HVplus: LV Generation Aggregated		0, 8	(3.574)	(0.541)	(0.076)				
LDNO HVplus: LV Sub Generation Aggregated		8	(3.664)	(0.546)	(0.077)				
LDNO HVplus: LV Generation Site Specific		0	(3.574)	(0.541)	(0.076)				0.060
LDNO HVplus: LV Sub Generation Site Specific		0	(3.664)	(0.546)	(0.077)				0.069
LDNO HVplus: HV Generation Site Specific		0	(3.884)	(0.525)	(0.078)	70.64			0.108
LDNO EHV: Domestic Aggregated or CT with Residual		0, 1, 2	2.148	0.325	0.046	3.43			
LDNO EHV: Domestic Aggregated (related MPAN)		2	2.148	0.325	0.046				

Tariff name	Unique billing identifier	PCs	Red/black unit charge p/kWh	Amber/yellow unit charge p/kWh	Green unit charge p/kWh	Fixed charge p/MPAN/day	Capacity charge p/kVA/day	Exceeded capacity charge p/kVA/day	Reactive power charge p/kVArh
LDNO EHV: Non-Domestic Aggregated or CT No Residual		0, 3, 4, 5-8	2.451	0.371	0.052	2.81			
LDNO EHV: Non-Domestic Aggregated or CT Band 1		0, 3, 4, 5-8	2.451	0.371	0.052	3.20			
LDNO EHV: Non-Domestic Aggregated or CT Band 2		0, 3, 4, 5-8	2.451	0.371	0.052	3.86			
LDNO EHV: Non-Domestic Aggregated or CT Band 3		0, 3, 4, 5-8	2.451	0.371	0.052	5.07			
LDNO EHV: Non-Domestic Aggregated or CT Band 4		0, 3, 4, 5-8	2.451	0.371	0.052	8.90			
LDNO EHV: Non-Domestic Aggregated (related MPAN)		4	2.451	0.371	0.052				
LDNO EHV: LV Site Specific No Residual		0	1.629	0.240	0.034	2.91	1.05	1.05	0.031
LDNO EHV: LV Site Specific Band 1		0	1.629	0.240	0.034	13.07	1.05	1.05	0.031
LDNO EHV: LV Site Specific Band 2		0	1.629	0.240	0.034	24.83	1.05	1.05	0.031
LDNO EHV: LV Site Specific Band 3		0	1.629	0.240	0.034	37.22	1.05	1.05	0.031
LDNO EHV: LV Site Specific Band 4		0	1.629	0.240	0.034	92.28	1.05	1.05	0.031
LDNO EHV: LV Sub Site Specific No Residual		0	1.489	0.201	0.030	4.90	1.65	1.65	0.028
LDNO EHV: LV Sub Site Specific Band 1		0	1.489	0.201	0.030	21.97	1.65	1.65	0.028
LDNO EHV: LV Sub Site Specific Band 2		0	1.489	0.201	0.030	41.73	1.65	1.65	0.028
LDNO EHV: LV Sub Site Specific Band 3		0	1.489	0.201	0.030	62.56	1.65	1.65	0.028
LDNO EHV: LV Sub Site Specific Band 4		0	1.489	0.201	0.030	155.12	1.65	1.65	0.028
LDNO EHV: HV Site Specific No Residual		0	1.330	0.167	0.026	123.75	2.19	2.19	0.025
LDNO EHV: HV Site Specific Band 1		0	1.330	0.167	0.026	266.41	2.19	2.19	0.025
LDNO EHV: HV Site Specific Band 2		0	1.330	0.167	0.026	514.47	2.19	2.19	0.025
LDNO EHV: HV Site Specific Band 3		0	1.330	0.167	0.026	822.04	2.19	2.19	0.025
LDNO EHV: HV Site Specific Band 4		0	1.330	0.167	0.026	2025.28	2.19	2.19	0.025
LDNO EHV: Unmetered Supplies		0, 1, 8	6.399	0.347	0.095				
LDNO EHV: LV Generation Aggregated		0, 8	(2.485)	(0.376)	(0.053)				
LDNO EHV: LV Sub Generation Aggregated		8	(2.547)	(0.380)	(0.054)				
LDNO EHV: LV Generation Site Specific		0	(2.485)	(0.376)	(0.053)				0.042
LDNO EHV: LV Sub Generation Site Specific		0	(2.547)	(0.380)	(0.054)				0.048
LDNO EHV: HV Generation Site Specific		0	(2.701)	(0.365)	(0.054)	49.12			0.075
LDNO 132kV/EHV: Domestic Aggregated or CT with Residual		0, 1, 2	1.423	0.216	0.030	2.28			
LDNO 132kV/EHV: Domestic Aggregated (related MPAN)		2	1.423	0.216	0.030				
LDNO 132kV/EHV: Non-Domestic Aggregated or CT No Residual		0, 3, 4, 5-8	1.624	0.246	0.035	1.86			

Tariff name	Unique billing identifier	PCs	Red/black unit charge p/kWh	Amber/yellow unit charge p/kWh	Green unit charge p/kWh	Fixed charge p/MPAN/day	Capacity charge p/kVA/day	Exceeded capacity charge p/kVA/day	Reactive power charge p/kVArh
LDNO 132kV/EHV: Non-Domestic Aggregated or CT Band 1		0, 3, 4, 5-8	1.624	0.246	0.035	2.12			
LDNO 132kV/EHV: Non-Domestic Aggregated or CT Band 2		0, 3, 4, 5-8	1.624	0.246	0.035	2.56			
LDNO 132kV/EHV: Non-Domestic Aggregated or CT Band 3		0, 3, 4, 5-8	1.624	0.246	0.035	3.36			
LDNO 132kV/EHV: Non-Domestic Aggregated or CT Band 4		0, 3, 4, 5-8	1.624	0.246	0.035	5.90			
LDNO 132kV/EHV: Non-Domestic Aggregated (related MPAN)		4	1.624	0.246	0.035				
LDNO 132kV/EHV: LV Site Specific No Residual		0	1.079	0.159	0.023	1.93	0.69	0.69	0.021
LDNO 132kV/EHV: LV Site Specific Band 1		0	1.079	0.159	0.023	8.66	0.69	0.69	0.021
LDNO 132kV/EHV: LV Site Specific Band 2		0	1.079	0.159	0.023	16.45	0.69	0.69	0.021
LDNO 132kV/EHV: LV Site Specific Band 3		0	1.079	0.159	0.023	24.66	0.69	0.69	0.021
LDNO 132kV/EHV: LV Site Specific Band 4		0	1.079	0.159	0.023	61.15	0.69	0.69	0.021
LDNO 132kV/EHV: LV Sub Site Specific No Residual		0	0.986	0.133	0.020	3.25	1.10	1.10	0.019
LDNO 132kV/EHV: LV Sub Site Specific Band 1		0	0.986	0.133	0.020	14.56	1.10	1.10	0.019
LDNO 132kV/EHV: LV Sub Site Specific Band 2		0	0.986	0.133	0.020	27.65	1.10	1.10	0.019
LDNO 132kV/EHV: LV Sub Site Specific Band 3		0	0.986	0.133	0.020	41.45	1.10	1.10	0.019
LDNO 132kV/EHV: LV Sub Site Specific Band 4		0	0.986	0.133	0.020	102.78	1.10	1.10	0.019
LDNO 132kV/EHV: HV Site Specific No Residual		0	0.881	0.111	0.017	82.00	1.45	1.45	0.016
LDNO 132kV/EHV: HV Site Specific Band 1		0	0.881	0.111	0.017	176.52	1.45	1.45	0.016
LDNO 132kV/EHV: HV Site Specific Band 2		0	0.881	0.111	0.017	340.87	1.45	1.45	0.016
LDNO 132kV/EHV: HV Site Specific Band 3		0	0.881	0.111	0.017	544.66	1.45	1.45	0.016
LDNO 132kV/EHV: HV Site Specific Band 4		0	0.881	0.111	0.017	1341.89	1.45	1.45	0.016
LDNO 132kV/EHV: Unmetered Supplies		0, 1, 8	4.240	0.230	0.063				
LDNO 132kV/EHV: LV Generation Aggregated		0, 8	(1.647)	(0.249)	(0.035)				
LDNO 132kV/EHV: LV Sub Generation Aggregated		8	(1.688)	(0.252)	(0.036)				
LDNO 132kV/EHV: LV Generation Site Specific		0	(1.647)	(0.249)	(0.035)				0.028
LDNO 132kV/EHV: LV Sub Generation Site Specific		0	(1.688)	(0.252)	(0.036)				0.032
LDNO 132kV/EHV: HV Generation Site Specific		0	(1.789)	(0.242)	(0.036)	32.54			0.050
LDNO 132kV: Domestic Aggregated or CT with Residual		0, 1, 2	0.724	0.110	0.015	1.16			
LDNO 132kV: Domestic Aggregated (related MPAN)		2	0.724	0.110	0.015				
LDNO 132kV: Non-Domestic Aggregated or CT No Residual		0, 3, 4, 5-8	0.825	0.125	0.018	0.95			

Tariff name	Unique billing identifier	PCs	Red/black unit charge p/kWh	Amber/yellow unit charge p/kWh	Green unit charge p/kWh	Fixed charge p/MPAN/day	Capacity charge p/kVA/day	Exceeded capacity charge p/kVA/day	Reactive power charge p/kVArh
LDNO 132kV: Non-Domestic Aggregated or CT Band 1		0, 3, 4, 5-8	0.825	0.125	0.018	1.08			
LDNO 132kV: Non-Domestic Aggregated or CT Band 2		0, 3, 4, 5-8	0.825	0.125	0.018	1.30			
LDNO 132kV: Non-Domestic Aggregated or CT Band 3		0, 3, 4, 5-8	0.825	0.125	0.018	1.71			
LDNO 132kV: Non-Domestic Aggregated or CT Band 4		0, 3, 4, 5-8	0.825	0.125	0.018	3.00			
LDNO 132kV: Non-Domestic Aggregated (related MPAN)		4	0.825	0.125	0.018				
LDNO 132kV: LV Site Specific No Residual		0	0.549	0.081	0.012	0.98	0.35	0.35	0.010
LDNO 132kV: LV Site Specific Band 1		0	0.549	0.081	0.012	4.40	0.35	0.35	0.010
LDNO 132kV: LV Site Specific Band 2		0	0.549	0.081	0.012	8.36	0.35	0.35	0.010
LDNO 132kV: LV Site Specific Band 3		0	0.549	0.081	0.012	12.54	0.35	0.35	0.010
LDNO 132kV: LV Site Specific Band 4		0	0.549	0.081	0.012	31.09	0.35	0.35	0.010
LDNO 132kV: LV Sub Site Specific No Residual		0	0.501	0.068	0.010	1.65	0.56	0.56	0.009
LDNO 132kV: LV Sub Site Specific Band 1		0	0.501	0.068	0.010	7.40	0.56	0.56	0.009
LDNO 132kV: LV Sub Site Specific Band 2		0	0.501	0.068	0.010	14.06	0.56	0.56	0.009
LDNO 132kV: LV Sub Site Specific Band 3		0	0.501	0.068	0.010	21.07	0.56	0.56	0.009
LDNO 132kV: LV Sub Site Specific Band 4		0	0.501	0.068	0.010	52.25	0.56	0.56	0.009
LDNO 132kV: HV Site Specific No Residual		0	0.448	0.056	0.009	41.69	0.74	0.74	0.008
LDNO 132kV: HV Site Specific Band 1		0	0.448	0.056	0.009	89.74	0.74	0.74	0.008
LDNO 132kV: HV Site Specific Band 2		0	0.448	0.056	0.009	173.29	0.74	0.74	0.008
LDNO 132kV: HV Site Specific Band 3		0	0.448	0.056	0.009	276.90	0.74	0.74	0.008
LDNO 132kV: HV Site Specific Band 4		0	0.448	0.056	0.009	682.20	0.74	0.74	0.008
LDNO 132kV: Unmetered Supplies		0, 1, 8	2.156	0.117	0.032				
LDNO 132kV: LV Generation Aggregated		0, 8	(0.837)	(0.127)	(0.018)				
LDNO 132kV: LV Sub Generation Aggregated		8	(0.858)	(0.128)	(0.018)				
LDNO 132kV: LV Generation Site Specific		0	(0.837)	(0.127)	(0.018)				0.014
LDNO 132kV: LV Sub Generation Site Specific		0	(0.858)	(0.128)	(0.018)				0.016
LDNO 132kV: HV Generation Site Specific		0	(0.910)	(0.123)	(0.018)	16.54			0.025
LDNO 0000: Domestic Aggregated or CT with Residual		0, 1, 2	0.228	0.034	0.005	0.36			
LDNO 0000: Domestic Aggregated (related MPAN)		2	0.228	0.034	0.005				
LDNO 0000: Non-Domestic Aggregated or CT No Residual		0, 3, 4, 5-8	0.260	0.039	0.006	0.30			
LDNO 0000: Non-Domestic Aggregated or CT Band 1		0, 3, 4, 5-8	0.260	0.039	0.006	0.34			
LDNO 0000: Non-Domestic Aggregated or CT Band 2		0, 3, 4, 5-8	0.260	0.039	0.006	0.41			
LDNO 0000: Non-Domestic Aggregated or CT Band 3		0, 3, 4, 5-8	0.260	0.039	0.006	0.54			

Tariff name	Unique billing identifier	PCs	Red/black unit charge p/kWh	Amber/yellow unit charge p/kWh	Green unit charge p/kWh	Fixed charge p/MPAN/day	Capacity charge p/kVA/day	Exceeded capacity charge p/kVA/day	Reactive power charge p/kVArh
LDNO 0000: Non-Domestic Aggregated or CT Band 4		0, 3, 4, 5-8	0.260	0.039	0.006	0.94			
LDNO 0000: Non-Domestic Aggregated (related MPAN)		4	0.260	0.039	0.006				
LDNO 0000: LV Site Specific No Residual		0	0.173	0.025	0.004	0.31	0.11	0.11	0.003
LDNO 0000: LV Site Specific Band 1		0	0.173	0.025	0.004	1.39	0.11	0.11	0.003
LDNO 0000: LV Site Specific Band 2		0	0.173	0.025	0.004	2.63	0.11	0.11	0.003
LDNO 0000: LV Site Specific Band 3		0	0.173	0.025	0.004	3.94	0.11	0.11	0.003
LDNO 0000: LV Site Specific Band 4		0	0.173	0.025	0.004	9.78	0.11	0.11	0.003
LDNO 0000: LV Sub Site Specific No Residual		0	0.158	0.021	0.003	0.52	0.18	0.18	0.003
LDNO 0000: LV Sub Site Specific Band 1		0	0.158	0.021	0.003	2.33	0.18	0.18	0.003
LDNO 0000: LV Sub Site Specific Band 2		0	0.158	0.021	0.003	4.42	0.18	0.18	0.003
LDNO 0000: LV Sub Site Specific Band 3		0	0.158	0.021	0.003	6.63	0.18	0.18	0.003
LDNO 0000: LV Sub Site Specific Band 4		0	0.158	0.021	0.003	16.44	0.18	0.18	0.003
LDNO 0000: HV Site Specific No Residual		0	0.141	0.018	0.003	13.12	0.23	0.23	0.003
LDNO 0000: HV Site Specific Band 1		0	0.141	0.018	0.003	28.24	0.23	0.23	0.003
LDNO 0000: HV Site Specific Band 2		0	0.141	0.018	0.003	54.53	0.23	0.23	0.003
LDNO 0000: HV Site Specific Band 3		0	0.141	0.018	0.003	87.12	0.23	0.23	0.003
LDNO 0000: HV Site Specific Band 4		0	0.141	0.018	0.003	214.65	0.23	0.23	0.003
LDNO 0000: Unmetered Supplies		0, 1, 8	0.678	0.037	0.010				
LDNO 0000: LV Generation Aggregated		0, 8	(0.263)	(0.040)	(0.006)				
LDNO 0000: LV Sub Generation Aggregated		8	(0.270)	(0.040)	(0.006)				
LDNO 0000: LV Generation Site Specific		0	(0.263)	(0.040)	(0.006)				0.004
LDNO 0000: LV Sub Generation Site Specific		0	(0.270)	(0.040)	(0.006)				0.005
LDNO 0000: HV Generation Site Specific		0	(0.286)	(0.039)	(0.006)	5.21			0.008

Annex 4 - Charges applied to LDNOs with HV/LV end users in “Electricity North West Area (GSP Group _G)”

Southern Electric Power Distribution plc - Effective from 1st April 2026 - Final LDNO tariffs in Electricity North West Area (GSP Group _G)

Time Bands for LV and HV Properties			
Time periods	Red Time Band	Amber Time Band	Green Time Band
Monday to Friday (Including Bank Holidays) All Year	16:00 to 19:00	09:00 to 16:00 19:00 to 20:30	00.00 - 09.00 20.30 - 24.00
Saturday and Sunday All Year		16:00 to 19:00	00.00 - 16.00 19.00 - 24.00
Notes	All the above times are in UK Clock time		

Time Bands for Unmetered Properties			
	Black Time Band	Yellow Time Band	Green Time Band
Monday to Friday (Including Bank Holidays) March to October Inclusive		09.00 - 20.30	00.00 - 09.00 20.30 - 24.00
Monday to Friday (Including Bank Holidays) November to February Inclusive	16:00 to 19:00	09:00 - 16.00 19.00 - 20.30	00.00 - 09.00 20.30 - 24.00
Saturday and Sunday All Year		16:00 to 19:00	00.00 - 16.00 19.00 - 24.00
Notes	All the above times are in UK Clock time		

Tariff name	Unique billing identifier	PCs	Red/black unit charge p/kWh	Amber/yellow unit charge p/kWh	Green unit charge p/kWh	Fixed charge p/MPAN/day	Capacity charge p/kVA/day	Exceeded capacity charge p/kVA/day	Reactive power charge p/kVArh
LDNO LV: Domestic Aggregated or CT with Residual		0, 1 or 2	10.264	1.624	0.095	1.83			
LDNO LV: Domestic Aggregated (related MPAN)		2	10.264	1.624	0.095				
LDNO LV: Non-Domestic Aggregated or CT No Residual		0, 3, 4 or 5-8	9.841	1.557	0.091	5.70			
LDNO LV: Non-Domestic Aggregated or CT Band 1		0, 3, 4 or 5-8	9.841	1.557	0.091	0.00			
LDNO LV: Non-Domestic Aggregated or CT Band 2		0, 3, 4 or 5-8	9.603	1.320	0.000	0.00			
LDNO LV: Non-Domestic Aggregated or CT Band 3		0, 3, 4 or 5-8	9.296	1.013	0.000	0.00			
LDNO LV: Non-Domestic Aggregated or CT Band 4		0, 3, 4 or 5-8	9.103	0.820	0.000	0.00			
LDNO LV: Non-Domestic Aggregated (related MPAN)		4	9.841	1.557	0.091				
LDNO LV: LV Site Specific No Residual		0	5.964	0.882	0.053	20.08	4.39	4.39	0.109
LDNO LV: LV Site Specific Band 1		0	4.960	0.269	0.015	0.00	4.39	4.39	0.109
LDNO LV: LV Site Specific Band 2		0	4.634	0.269	0.015	0.00	4.39	4.39	0.109
LDNO LV: LV Site Specific Band 3		0	4.365	0.269	0.015	0.00	4.39	4.39	0.109
LDNO LV: LV Site Specific Band 4		0	4.142	0.269	0.015	0.00	4.39	4.39	0.109

Tariff name	Unique billing identifier	PCs	Red/black unit charge p/kWh	Amber/yellow unit charge p/kWh	Green unit charge p/kWh	Fixed charge p/MPAN/day	Capacity charge p/kVA/day	Exceeded capacity charge p/kVA/day	Reactive power charge p/kVArh
LDNO LV: Unmetered Supplies		0, 1 or 8	30.653	3.362	2.118				
LDNO LV: LV Generation Aggregated		0 or 8	-9.968	-1.578	-0.092	0.00			
LDNO LV: LV Generation Site Specific		0 or 8	-9.968	-1.578	-0.092	0.00			0.176
LDNO HV: Domestic Aggregated or CT with Residual		0, 1 or 2	7.206	1.140	0.067	1.28			
LDNO HV: Domestic Aggregated (Related MPAN)		2	7.206	1.140	0.067				
LDNO HV: Non-Domestic Aggregated or CT No Residual		0, 3, 4 or 5-8	6.909	1.093	0.064	4.00			
LDNO HV: Non-Domestic Aggregated or CT Band 1		0, 3, 4 or 5-8	6.909	1.093	0.064	0.00			
LDNO HV: Non-Domestic Aggregated or CT Band 2		0, 3, 4 or 5-8	6.742	0.927	0.000	0.00			
LDNO HV: Non-Domestic Aggregated or CT Band 3		0, 3, 4 or 5-8	6.526	0.711	0.000	0.00			
LDNO HV: Non-Domestic Aggregated or CT Band 4		0, 3, 4 or 5-8	6.391	0.576	0.000	0.00			
LDNO HV: Non-Domestic Aggregated (related MPAN)		4	6.909	1.093	0.064				
LDNO HV: LV Site Specific No Residual		0	4.187	0.619	0.037	14.10	3.08	3.08	0.077
LDNO HV: LV Site Specific Band 1		0	3.483	0.189	0.011	0.00	3.08	3.08	0.077
LDNO HV: LV Site Specific Band 2		0	3.254	0.189	0.011	0.00	3.08	3.08	0.077
LDNO HV: LV Site Specific Band 3		0	3.065	0.189	0.011	0.00	3.08	3.08	0.077
LDNO HV: LV Site Specific Band 4		0	2.908	0.189	0.011	0.00	3.08	3.08	0.077
LDNO HV: LV Sub Site Specific No Residual		0	5.090	0.693	0.043	73.30	5.82	5.82	0.086
LDNO HV: LV Sub Site Specific Band 1		0	3.955	0.000	0.000	50.59	5.82	5.82	0.086
LDNO HV: LV Sub Site Specific Band 2		0	3.586	0.000	0.000	50.59	5.82	5.82	0.086
LDNO HV: LV Sub Site Specific Band 3		0	3.282	0.000	0.000	50.59	5.82	5.82	0.086
LDNO HV: LV Sub Site Specific Band 4		0	3.029	0.000	0.000	50.59	5.82	5.82	0.086
LDNO HV: HV Site Specific No Residual		0	4.179	0.498	0.032	191.17	6.62	6.62	0.061
LDNO HV: HV Site Specific Band 1		0	1.697	0.000	0.000	0.00	6.62	6.62	0.061
LDNO HV: HV Site Specific Band 2		0	0.544	0.000	0.000	0.00	6.62	6.62	0.061
LDNO HV: HV Site Specific Band 3		0	0.308	0.000	0.000	0.00	6.62	6.62	0.061
LDNO HV: HV Site Specific Band 4		0	0.000	0.000	0.000	0.00	6.62	6.62	0.061
LDNO HV: Unmetered Supplies		0, 1 or 8	21.521	2.360	1.487				
LDNO HV: LV Generation Aggregated		0 or 8	-9.968	-1.578	-0.092	0.00			
LDNO HV: LV Sub Generation Aggregated		0 or 8	-7.897	-1.186	-0.070	0.00			
LDNO HV: LV Generation Site Specific		0	-9.968	-1.578	-0.092	0.00			0.176
LDNO HV: LV Sub Generation Site Specific		0	-7.897	-1.186	-0.070	0.00			0.153
LDNO HV: HV Generation Site Specific		0	-5.982	-0.814	-0.050	0.00			0.122

Tariff name	Unique billing identifier	PCs	Red/black unit charge p/kWh	Amber/yellow unit charge p/kWh	Green unit charge p/kWh	Fixed charge p/MPAN/day	Capacity charge p/kVA/day	Exceeded capacity charge p/kVA/day	Reactive power charge p/kVArh
LDNO HVplus: Domestic Aggregated or CT with Residual		0, 1 or 2	5.872	0.929	0.054	1.05			
LDNO HVplus: Domestic Aggregated (related MPAN)		2	5.872	0.929	0.054				
LDNO HVplus: Non-Domestic Aggregated or CT No Residual		0, 3, 4 or 5-8	5.629	0.891	0.052	3.26			
LDNO HVplus: Non-Domestic Aggregated or CT Band 1		0, 3, 4 or 5-8	5.629	0.891	0.052	0.00			
LDNO HVplus: Non-Domestic Aggregated or CT Band 2		0, 3, 4 or 5-8	5.494	0.755	0.000	0.00			
LDNO HVplus: Non-Domestic Aggregated or CT Band 3		0, 3, 4 or 5-8	5.318	0.579	0.000	0.00			
LDNO HVplus: Non-Domestic Aggregated or CT Band 4		0, 3, 4 or 5-8	5.208	0.469	0.000	0.00			
LDNO HVplus: Non-Domestic Aggregated (related MPAN)		4	5.629	0.891	0.052				
LDNO HVplus: LV Site Specific No Residual		0	3.412	0.505	0.030	11.49	2.51	2.51	0.063
LDNO HVplus: LV Site Specific Band 1		0	2.838	0.154	0.009	0.00	2.51	2.51	0.063
LDNO HVplus: LV Site Specific Band 2		0	2.651	0.154	0.009	0.00	2.51	2.51	0.063
LDNO HVplus: LV Site Specific Band 3		0	2.497	0.154	0.009	0.00	2.51	2.51	0.063
LDNO HVplus: LV Site Specific Band 4		0	2.369	0.154	0.009	0.00	2.51	2.51	0.063
LDNO HVplus: LV Sub Site Specific No Residual		0	4.038	0.550	0.034	58.14	4.62	4.62	0.068
LDNO HVplus: LV Sub Site Specific Band 1		0	3.137	0.000	0.000	40.13	4.62	4.62	0.068
LDNO HVplus: LV Sub Site Specific Band 2		0	2.845	0.000	0.000	40.13	4.62	4.62	0.068
LDNO HVplus: LV Sub Site Specific Band 3		0	2.603	0.000	0.000	40.13	4.62	4.62	0.068
LDNO HVplus: LV Sub Site Specific Band 4		0	2.403	0.000	0.000	40.13	4.62	4.62	0.068
LDNO HVplus: HV Site Specific No Residual		0	3.268	0.390	0.025	149.52	5.18	5.18	0.048
LDNO HVplus: HV Site Specific Band 1		0	1.327	0.000	0.000	0.00	5.18	5.18	0.048
LDNO HVplus: HV Site Specific Band 2		0	0.425	0.000	0.000	0.00	5.18	5.18	0.048
LDNO HVplus: HV Site Specific Band 3		0	0.241	0.000	0.000	0.00	5.18	5.18	0.048
LDNO HVplus: HV Site Specific Band 4		0	0.000	0.000	0.000	0.00	5.18	5.18	0.048
LDNO HVplus: Unmetered Supplies		0, 1 or 8	17.535	1.923	1.211				
LDNO HVplus: LV Generation Aggregated		0 or 8	-5.663	-0.896	-0.052	0.00			
LDNO HVplus: LV Sub Generation Aggregated		0 or 8	-5.247	-0.788	-0.047	0.00			
LDNO HVplus: LV Generation Site Specific		0	-5.663	-0.896	-0.052	0.00			0.100
LDNO HVplus: LV Sub Generation Site Specific		0	-5.247	-0.788	-0.047	0.00			0.101
LDNO HVplus: HV Generation Site Specific		0	-5.982	-0.814	-0.050	15.15			0.122
LDNO EHV: Domestic Aggregated or CT with Residual		0, 1 or 2	4.649	0.736	0.043	0.83			

Tariff name	Unique billing identifier	PCs	Red/black unit charge p/kWh	Amber/yellow unit charge p/kWh	Green unit charge p/kWh	Fixed charge p/MPAN/day	Capacity charge p/kVA/day	Exceeded capacity charge p/kVA/day	Reactive power charge p/kVArh
LDNO EHV: Domestic Aggregated (related MPAN)		2	4.649	0.736	0.043				
LDNO EHV: Non-Domestic Aggregated or CT No Residual		0, 3, 4 or 5-8	4.457	0.705	0.041	2.58			
LDNO EHV: Non-Domestic Aggregated or CT Band 1		0, 3, 4 or 5-8	4.457	0.705	0.041	0.00			
LDNO EHV: Non-Domestic Aggregated or CT Band 2		0, 3, 4 or 5-8	4.349	0.598	0.000	0.00			
LDNO EHV: Non-Domestic Aggregated or CT Band 3		0, 3, 4 or 5-8	4.210	0.459	0.000	0.00			
LDNO EHV: Non-Domestic Aggregated or CT Band 4		0, 3, 4 or 5-8	4.123	0.371	0.000	0.00			
LDNO EHV: Non-Domestic Aggregated (related MPAN)		4	4.457	0.705	0.041				
LDNO EHV: LV Site Specific No Residual		0	2.701	0.399	0.024	9.10	1.99	1.99	0.050
LDNO EHV: LV Site Specific Band 1		0	2.247	0.122	0.007	0.00	1.99	1.99	0.050
LDNO EHV: LV Site Specific Band 2		0	2.099	0.122	0.007	0.00	1.99	1.99	0.050
LDNO EHV: LV Site Specific Band 3		0	1.977	0.122	0.007	0.00	1.99	1.99	0.050
LDNO EHV: LV Site Specific Band 4		0	1.876	0.122	0.007	0.00	1.99	1.99	0.050
LDNO EHV: LV Sub Site Specific No Residual		0	3.197	0.435	0.027	46.03	3.66	3.66	0.054
LDNO EHV: LV Sub Site Specific Band 1		0	2.484	0.000	0.000	31.77	3.66	3.66	0.054
LDNO EHV: LV Sub Site Specific Band 2		0	2.252	0.000	0.000	31.77	3.66	3.66	0.054
LDNO EHV: LV Sub Site Specific Band 3		0	2.061	0.000	0.000	31.77	3.66	3.66	0.054
LDNO EHV: LV Sub Site Specific Band 4		0	1.902	0.000	0.000	31.77	3.66	3.66	0.054
LDNO EHV: HV Site Specific No Residual		0	2.588	0.309	0.020	118.38	4.10	4.10	0.038
LDNO EHV: HV Site Specific Band 1		0	1.051	0.000	0.000	0.00	4.10	4.10	0.038
LDNO EHV: HV Site Specific Band 2		0	0.337	0.000	0.000	0.00	4.10	4.10	0.038
LDNO EHV: HV Site Specific Band 3		0	0.191	0.000	0.000	0.00	4.10	4.10	0.038
LDNO EHV: HV Site Specific Band 4		0	0.000	0.000	0.000	0.00	4.10	4.10	0.038
LDNO EHV: Unmetered Supplies		0, 1 or 8	13.883	1.523	0.959				
LDNO EHV: LV Generation Aggregated		0 or 8	-4.484	-0.710	-0.041	0.00			
LDNO EHV: LV Sub Generation Aggregated		0 or 8	-4.154	-0.624	-0.037	0.00			
LDNO EHV: LV Generation Site Specific		0	-4.484	-0.710	-0.041	0.00			0.079
LDNO EHV: LV Sub Generation Site Specific		0	-4.154	-0.624	-0.037	0.00			0.080
LDNO EHV: HV Generation Site Specific		0	-4.736	-0.645	-0.040	12.00			0.096
LDNO 132kV/EHV: Domestic Aggregated or CT with Residual		0, 1 or 2	3.886	0.615	0.036	0.69			
LDNO 132kV/EHV: Domestic Aggregated (related MPAN)		2	3.886	0.615	0.036				

Tariff name	Unique billing identifier	PCs	Red/black unit charge p/kWh	Amber/yellow unit charge p/kWh	Green unit charge p/kWh	Fixed charge p/MPAN/day	Capacity charge p/kVA/day	Exceeded capacity charge p/kVA/day	Reactive power charge p/kVArh
LDNO 132kV/EHV: Non-Domestic Aggregated or CT No Residual		0, 3, 4 or 5-8	3.726	0.590	0.034	2.16			
LDNO 132kV/EHV: Non-Domestic Aggregated or CT Band 1		0, 3, 4 or 5-8	3.726	0.590	0.034	0.00			
LDNO 132kV/EHV: Non-Domestic Aggregated or CT Band 2		0, 3, 4 or 5-8	3.636	0.500	0.000	0.00			
LDNO 132kV/EHV: Non-Domestic Aggregated or CT Band 3		0, 3, 4 or 5-8	3.519	0.383	0.000	0.00			
LDNO 132kV/EHV: Non-Domestic Aggregated or CT Band 4		0, 3, 4 or 5-8	3.447	0.310	0.000	0.00			
LDNO 132kV/EHV: Non-Domestic Aggregated (related MPAN)		4	3.726	0.590	0.034				
LDNO 132kV/EHV: LV Site Specific No Residual		0	2.258	0.334	0.020	7.60	1.66	1.66	0.041
LDNO 132kV/EHV: LV Site Specific Band 1		0	1.878	0.102	0.006	0.00	1.66	1.66	0.041
LDNO 132kV/EHV: LV Site Specific Band 2		0	1.755	0.102	0.006	0.00	1.66	1.66	0.041
LDNO 132kV/EHV: LV Site Specific Band 3		0	1.653	0.102	0.006	0.00	1.66	1.66	0.041
LDNO 132kV/EHV: LV Site Specific Band 4		0	1.568	0.102	0.006	0.00	1.66	1.66	0.041
LDNO 132kV/EHV: LV Sub Site Specific No Residual		0	2.672	0.364	0.022	38.48	3.06	3.06	0.045
LDNO 132kV/EHV: LV Sub Site Specific Band 1		0	2.076	0.000	0.000	26.56	3.06	3.06	0.045
LDNO 132kV/EHV: LV Sub Site Specific Band 2		0	1.883	0.000	0.000	26.56	3.06	3.06	0.045
LDNO 132kV/EHV: LV Sub Site Specific Band 3		0	1.723	0.000	0.000	26.56	3.06	3.06	0.045
LDNO 132kV/EHV: LV Sub Site Specific Band 4		0	1.590	0.000	0.000	26.56	3.06	3.06	0.045
LDNO 132kV/EHV: HV Site Specific No Residual		0	2.163	0.258	0.017	98.96	3.43	3.43	0.032
LDNO 132kV/EHV: HV Site Specific Band 1		0	0.878	0.000	0.000	0.00	3.43	3.43	0.032
LDNO 132kV/EHV: HV Site Specific Band 2		0	0.281	0.000	0.000	0.00	3.43	3.43	0.032
LDNO 132kV/EHV: HV Site Specific Band 3		0	0.160	0.000	0.000	0.00	3.43	3.43	0.032
LDNO 132kV/EHV: HV Site Specific Band 4		0	0.000	0.000	0.000	0.00	3.43	3.43	0.032
LDNO 132kV/EHV: Unmetered Supplies		0, 1 or 8	11.605	1.273	0.802				
LDNO 132kV/EHV: LV Generation Aggregated		0 or 8	-3.748	-0.593	-0.035	0.00			
LDNO 132kV/EHV: LV Sub Generation Aggregated		0 or 8	-3.472	-0.521	-0.031	0.00			
LDNO 132kV/EHV: LV Generation Site Specific		0	-3.748	-0.593	-0.035	0.00			0.066
LDNO 132kV/EHV: LV Sub Generation Site Specific		0	-3.472	-0.521	-0.031	0.00			0.067
LDNO 132kV/EHV: HV Generation Site Specific		0	-3.959	-0.539	-0.033	10.03			0.081
LDNO 132kV: Domestic Aggregated or CT with Residual		0, 1 or 2	2.929	0.464	0.027	0.52			
LDNO 132kV: Domestic Aggregated (related MPAN)		2	2.929	0.464	0.027				

Tariff name	Unique billing identifier	PCs	Red/black unit charge p/kWh	Amber/yellow unit charge p/kWh	Green unit charge p/kWh	Fixed charge p/MPAN/day	Capacity charge p/kVA/day	Exceeded capacity charge p/kVA/day	Reactive power charge p/kVArh
LDNO 132kV: Non-Domestic Aggregated or CT No Residual		0, 3, 4 or 5-8	2.808	0.444	0.026	1.63			
LDNO 132kV: Non-Domestic Aggregated or CT Band 1		0, 3, 4 or 5-8	2.808	0.444	0.026	0.00			
LDNO 132kV: Non-Domestic Aggregated or CT Band 2		0, 3, 4 or 5-8	2.741	0.377	0.000	0.00			
LDNO 132kV: Non-Domestic Aggregated or CT Band 3		0, 3, 4 or 5-8	2.653	0.289	0.000	0.00			
LDNO 132kV: Non-Domestic Aggregated or CT Band 4		0, 3, 4 or 5-8	2.598	0.234	0.000	0.00			
LDNO 132kV: Non-Domestic Aggregated (related MPAN)		4	2.808	0.444	0.026				
LDNO 132kV: LV Site Specific No Residual		0	1.702	0.252	0.015	5.73	1.25	1.25	0.031
LDNO 132kV: LV Site Specific Band 1		0	1.416	0.077	0.004	0.00	1.25	1.25	0.031
LDNO 132kV: LV Site Specific Band 2		0	1.323	0.077	0.004	0.00	1.25	1.25	0.031
LDNO 132kV: LV Site Specific Band 3		0	1.246	0.077	0.004	0.00	1.25	1.25	0.031
LDNO 132kV: LV Site Specific Band 4		0	1.182	0.077	0.004	0.00	1.25	1.25	0.031
LDNO 132kV: LV Sub Site Specific No Residual		0	2.014	0.274	0.017	29.01	2.30	2.30	0.034
LDNO 132kV: LV Sub Site Specific Band 1		0	1.565	0.000	0.000	20.02	2.30	2.30	0.034
LDNO 132kV: LV Sub Site Specific Band 2		0	1.419	0.000	0.000	20.02	2.30	2.30	0.034
LDNO 132kV: LV Sub Site Specific Band 3		0	1.299	0.000	0.000	20.02	2.30	2.30	0.034
LDNO 132kV: LV Sub Site Specific Band 4		0	1.199	0.000	0.000	20.02	2.30	2.30	0.034
LDNO 132kV: HV Site Specific No Residual		0	1.630	0.194	0.013	74.59	2.58	2.58	0.024
LDNO 132kV: HV Site Specific Band 1		0	0.662	0.000	0.000	0.00	2.58	2.58	0.024
LDNO 132kV: HV Site Specific Band 2		0	0.212	0.000	0.000	0.00	2.58	2.58	0.024
LDNO 132kV: HV Site Specific Band 3		0	0.120	0.000	0.000	0.00	2.58	2.58	0.024
LDNO 132kV: HV Site Specific Band 4		0	0.000	0.000	0.000	0.00	2.58	2.58	0.024
LDNO 132kV: Unmetered Supplies		0, 1 or 8	8.748	0.959	0.604				
LDNO 132kV: LV Generation Aggregated		0 or 8	-2.825	-0.447	-0.026	0.00			
LDNO 132kV: LV Sub Generation Aggregated		0 or 8	-2.617	-0.393	-0.023	0.00			
LDNO 132kV: LV Generation Site Specific		0	-2.825	-0.447	-0.026	0.00			0.050
LDNO 132kV: LV Sub Generation Site Specific		0	-2.617	-0.393	-0.023	0.00			0.051
LDNO 132kV: HV Generation Site Specific		0	-2.985	-0.406	-0.025	7.56			0.061
LDNO 0000: Domestic Aggregated or CT with Residual		0, 1 or 2	1.050	0.166	0.010	0.19			
LDNO 0000: Domestic Aggregated (related MPAN)		2	1.050	0.166	0.010				
LDNO 0000: Non-Domestic Aggregated or CT No Residual		0, 3, 4 or 5-8	1.007	0.159	0.009	0.58			
LDNO 0000: Non-Domestic Aggregated or CT Band 1		0, 3, 4 or 5-8	1.007	0.159	0.009	0.00			

Tariff name	Unique billing identifier	PCs	Red/black unit charge p/kWh	Amber/yellow unit charge p/kWh	Green unit charge p/kWh	Fixed charge p/MPAN/day	Capacity charge p/kVA/day	Exceeded capacity charge p/kVA/day	Reactive power charge p/kVArh
LDNO 0000: Non-Domestic Aggregated or CT Band 2		0, 3, 4 or 5-8	0.983	0.135	0.000	0.00			
LDNO 0000: Non-Domestic Aggregated or CT Band 3		0, 3, 4 or 5-8	0.951	0.104	0.000	0.00			
LDNO 0000: Non-Domestic Aggregated or CT Band 4		0, 3, 4 or 5-8	0.931	0.084	0.000	0.00			
LDNO 0000: Non-Domestic Aggregated (related MPAN)		4	1.007	0.159	0.009				
LDNO 0000: LV Site Specific No Residual		0	0.610	0.090	0.005	2.05	0.45	0.45	0.011
LDNO 0000: LV Site Specific Band 1		0	0.508	0.028	0.002	0.00	0.45	0.45	0.011
LDNO 0000: LV Site Specific Band 2		0	0.474	0.028	0.002	0.00	0.45	0.45	0.011
LDNO 0000: LV Site Specific Band 3		0	0.447	0.028	0.002	0.00	0.45	0.45	0.011
LDNO 0000: LV Site Specific Band 4		0	0.424	0.028	0.002	0.00	0.45	0.45	0.011
LDNO 0000: LV Sub Site Specific No Residual		0	0.722	0.098	0.006	10.40	0.83	0.83	0.012
LDNO 0000: LV Sub Site Specific Band 1		0	0.561	0.000	0.000	7.18	0.83	0.83	0.012
LDNO 0000: LV Sub Site Specific Band 2		0	0.509	0.000	0.000	7.18	0.83	0.83	0.012
LDNO 0000: LV Sub Site Specific Band 3		0	0.466	0.000	0.000	7.18	0.83	0.83	0.012
LDNO 0000: LV Sub Site Specific Band 4		0	0.430	0.000	0.000	7.18	0.83	0.83	0.012
LDNO 0000: HV Site Specific No Residual		0	0.585	0.070	0.005	26.74	0.93	0.93	0.009
LDNO 0000: HV Site Specific Band 1		0	0.237	0.000	0.000	0.00	0.93	0.93	0.009
LDNO 0000: HV Site Specific Band 2		0	0.076	0.000	0.000	0.00	0.93	0.93	0.009
LDNO 0000: HV Site Specific Band 3		0	0.043	0.000	0.000	0.00	0.93	0.93	0.009
LDNO 0000: HV Site Specific Band 4		0	0.000	0.000	0.000	0.00	0.93	0.93	0.009
LDNO 0000: Unmetered Supplies		0, 1 or 8	3.136	0.344	0.217				
LDNO 0000: LV Generation Aggregated		0 or 8	-1.013	-0.160	-0.009	0.00			
LDNO 0000: LV Sub Generation Aggregated		0 or 8	-0.938	-0.141	-0.008	0.00			
LDNO 0000: LV Generation Site Specific		0	-1.013	-0.160	-0.009	0.00			0.018
LDNO 0000: LV Sub Generation Site Specific		0	-0.938	-0.141	-0.008	0.00			0.018
LDNO 0000: HV Generation Site Specific		0	-1.070	-0.146	-0.009	2.71			0.022

Annex 4 - Charges applied to LDNOs with HV/LV end users in “South Eastern Power Networks Area (GSP Group _J)”

Southern Electric Power Distribution plc - Effective from 1st April 2026 - Final LDNO tariffs in UKPN SPN Area (GSP Group _J)

Time Bands for LV and HV Properties			
Time periods	Red Time Band	Amber Time Band	Green Time Band
Monday to Friday (Including Bank Holidays) All Year	16:00 - 19:00	07:00 - 16:00 19:00 - 23:00	00:00 - 07:00 23:00 - 24:00
Saturday and Sunday All Year			00:00 - 24:00
Notes	All times are in UK Clock time		

Time Bands for Unmetered Properties			
	Black Time Band	Yellow Time Band	Green Time Band
Monday to Friday (Including Bank Holidays) November to February Inclusive	16:00 - 19:00	07:00 - 16:00 19:00 - 23:00	00:00 - 07:00 23:00 - 24:00
Monday to Friday (Including Bank Holidays) March to October Inclusive		07:00 - 23:00	00:00 - 07:00 23:00 - 24:00
Saturday and Sunday All Year			00:00 - 24:00
Notes	All times are in UK Clock time		

Tariff name	Unique billing identifier	PCs	Red/black unit charge p/kWh	Amber/yellow unit charge p/kWh	Green unit charge p/kWh	Fixed charge p/MPAN/day	Capacity charge p/kVA/day	Exceeded capacity charge p/kVA/day	Reactive power charge p/kVArh
LDNO LV: Domestic Aggregated or CT with Residual		0, 1, 2	14.003	0.507	0.157	6.31			
LDNO LV: Domestic Aggregated (related MPAN)		2	14.003	0.507	0.157				
LDNO LV: Non-Domestic Aggregated or CT No Residual		0, 3, 4, 5-8	10.464	0.379	0.117	6.13			
LDNO LV: Non-Domestic Aggregated or CT Band 1		0, 3, 4, 5-8	10.464	0.379	0.117	6.62			
LDNO LV: Non-Domestic Aggregated or CT Band 2		0, 3, 4, 5-8	10.464	0.379	0.117	7.58			
LDNO LV: Non-Domestic Aggregated or CT Band 3		0, 3, 4, 5-8	10.464	0.379	0.117	9.17			
LDNO LV: Non-Domestic Aggregated or CT Band 4		0, 3, 4, 5-8	10.464	0.379	0.117	14.64			
LDNO LV: Non-Domestic Aggregated (related MPAN)		4	10.464	0.379	0.117				
LDNO LV: LV Site Specific No Residual		0	7.461	0.256	0.080	13.72	5.65	5.65	0.238
LDNO LV: LV Site Specific Band 1		0	7.461	0.256	0.080	30.71	5.65	5.65	0.238
LDNO LV: LV Site Specific Band 2		0	7.461	0.256	0.080	43.41	5.65	5.65	0.238
LDNO LV: LV Site Specific Band 3		0	7.461	0.256	0.080	59.28	5.65	5.65	0.238
LDNO LV: LV Site Specific Band 4		0	7.461	0.256	0.080	120.23	5.65	5.65	0.238

Tariff name	Unique billing identifier	PCs	Red/black unit charge p/kWh	Amber/yellow unit charge p/kWh	Green unit charge p/kWh	Fixed charge p/MPAN/day	Capacity charge p/kVA/day	Exceeded capacity charge p/kVA/day	Reactive power charge p/kVArh
LDNO LV: Unmetered Supplies		0, 1 or 8	37.993	1.692	1.346				
LDNO LV: LV Generation Aggregated		0, 8	-12.382	-0.448	-0.139	0.00			
LDNO LV: LV Generation Site Specific		0	-12.382	-0.448	-0.139	0.00			0.412
LDNO HV: Domestic Aggregated or CT with Residual		0, 1, 2	10.700	0.387	0.120	4.82			
LDNO HV: Domestic Aggregated (Related MPAN)		2	10.700	0.387	0.120				
LDNO HV: Non-Domestic Aggregated or CT No Residual		0, 3, 4, 5-8	7.996	0.289	0.090	4.69			
LDNO HV: Non-Domestic Aggregated or CT Band 1		0, 3, 4, 5-8	7.996	0.289	0.090	5.06			
LDNO HV: Non-Domestic Aggregated or CT Band 2		0, 3, 4, 5-8	7.996	0.289	0.090	5.79			
LDNO HV: Non-Domestic Aggregated or CT Band 3		0, 3, 4, 5-8	7.996	0.289	0.090	7.01			
LDNO HV: Non-Domestic Aggregated or CT Band 4		0, 3, 4, 5-8	7.996	0.289	0.090	11.19			
LDNO HV: Non-Domestic Aggregated (related MPAN)		4	7.996	0.289	0.090				
LDNO HV: LV Site Specific No Residual		0	5.701	0.196	0.061	10.49	4.32	4.32	0.182
LDNO HV: LV Site Specific Band 1		0	5.701	0.196	0.061	23.47	4.32	4.32	0.182
LDNO HV: LV Site Specific Band 2		0	5.701	0.196	0.061	33.17	4.32	4.32	0.182
LDNO HV: LV Site Specific Band 3		0	5.701	0.196	0.061	45.30	4.32	4.32	0.182
LDNO HV: LV Site Specific Band 4		0	5.701	0.196	0.061	91.87	4.32	4.32	0.182
LDNO HV: LV Sub Site Specific No Residual		0	5.354	0.166	0.053	13.44	5.71	5.71	0.166
LDNO HV: LV Sub Site Specific Band 1		0	5.354	0.166	0.053	33.35	5.71	5.71	0.166
LDNO HV: LV Sub Site Specific Band 2		0	5.354	0.166	0.053	48.24	5.71	5.71	0.166
LDNO HV: LV Sub Site Specific Band 3		0	5.354	0.166	0.053	66.85	5.71	5.71	0.166
LDNO HV: LV Sub Site Specific Band 4		0	5.354	0.166	0.053	138.32	5.71	5.71	0.166
LDNO HV: HV Site Specific No Residual		0	5.211	0.153	0.049	152.44	5.77	5.77	0.162
LDNO HV: HV Site Specific Band 1		0	5.211	0.153	0.049	312.71	5.77	5.77	0.162
LDNO HV: HV Site Specific Band 2		0	5.211	0.153	0.049	552.13	5.77	5.77	0.162
LDNO HV: HV Site Specific Band 3		0	5.211	0.153	0.049	721.65	5.77	5.77	0.162
LDNO HV: HV Site Specific Band 4		0	5.211	0.153	0.049	1796.21	5.77	5.77	0.162
LDNO HV: Unmetered Supplies		0, 1 or 8	29.032	1.293	1.029				
LDNO HV: LV Generation Aggregated		0, 8	-12.382	-0.448	-0.139	0.00			
LDNO HV: LV Sub Generation Aggregated		0	-10.024	-0.350	-0.109	0.00			
LDNO HV: LV Generation Site Specific		0	-12.382	-0.448	-0.139	0.00			0.412
LDNO HV: LV Sub Generation Site Specific		0	-10.024	-0.350	-0.109	0.00			0.312
LDNO HV: HV Generation Site Specific		0	-7.007	-0.218	-0.069	0.00			0.271

Tariff name	Unique billing identifier	PCs	Red/black unit charge p/kWh	Amber/yellow unit charge p/kWh	Green unit charge p/kWh	Fixed charge p/MPAN/day	Capacity charge p/kVA/day	Exceeded capacity charge p/kVA/day	Reactive power charge p/kVArh
LDNO HVplus: Domestic Aggregated or CT with Residual		0, 1, 2	7.710	0.279	0.086	3.47			
LDNO HVplus: Domestic Aggregated (related MPAN)		2	7.710	0.279	0.086				
LDNO HVplus: Non-Domestic Aggregated or CT No Residual		0, 3, 4, 5-8	5.762	0.208	0.065	3.38			
LDNO HVplus: Non-Domestic Aggregated or CT Band 1		0, 3, 4, 5-8	5.762	0.208	0.065	3.65			
LDNO HVplus: Non-Domestic Aggregated or CT Band 2		0, 3, 4, 5-8	5.762	0.208	0.065	4.18			
LDNO HVplus: Non-Domestic Aggregated or CT Band 3		0, 3, 4, 5-8	5.762	0.208	0.065	5.05			
LDNO HVplus: Non-Domestic Aggregated or CT Band 4		0, 3, 4, 5-8	5.762	0.208	0.065	8.06			
LDNO HVplus: Non-Domestic Aggregated (related MPAN)		4	5.762	0.208	0.065				
LDNO HVplus: LV Site Specific No Residual		0	4.108	0.141	0.044	7.56	3.11	3.11	0.131
LDNO HVplus: LV Site Specific Band 1		0	4.108	0.141	0.044	16.91	3.11	3.11	0.131
LDNO HVplus: LV Site Specific Band 2		0	4.108	0.141	0.044	23.90	3.11	3.11	0.131
LDNO HVplus: LV Site Specific Band 3		0	4.108	0.141	0.044	32.64	3.11	3.11	0.131
LDNO HVplus: LV Site Specific Band 4		0	4.108	0.141	0.044	66.20	3.11	3.11	0.131
LDNO HVplus: LV Sub Site Specific No Residual		0	3.804	0.118	0.037	9.55	4.06	4.06	0.118
LDNO HVplus: LV Sub Site Specific Band 1		0	3.804	0.118	0.037	23.70	4.06	4.06	0.118
LDNO HVplus: LV Sub Site Specific Band 2		0	3.804	0.118	0.037	34.28	4.06	4.06	0.118
LDNO HVplus: LV Sub Site Specific Band 3		0	3.804	0.118	0.037	47.50	4.06	4.06	0.118
LDNO HVplus: LV Sub Site Specific Band 4		0	3.804	0.118	0.037	98.28	4.06	4.06	0.118
LDNO HVplus: HV Site Specific No Residual		0	3.683	0.108	0.034	107.75	4.08	4.08	0.114
LDNO HVplus: HV Site Specific Band 1		0	3.683	0.108	0.034	221.04	4.08	4.08	0.114
LDNO HVplus: HV Site Specific Band 2		0	3.683	0.108	0.034	390.28	4.08	4.08	0.114
LDNO HVplus: HV Site Specific Band 3		0	3.683	0.108	0.034	510.10	4.08	4.08	0.114
LDNO HVplus: HV Site Specific Band 4		0	3.683	0.108	0.034	1269.66	4.08	4.08	0.114
LDNO HVplus: Unmetered Supplies		0, 1 or 8	20.920	0.932	0.741				
LDNO HVplus: LV Generation Aggregated		0, 8	-6.804	-0.246	-0.076	0.00			
LDNO HVplus: LV Sub Generation Aggregated		0	-6.143	-0.215	-0.067	0.00			
LDNO HVplus: LV Generation Site Specific		0	-6.804	-0.246	-0.076	0.00			0.226
LDNO HVplus: LV Sub Generation Site Specific		0	-6.143	-0.215	-0.067	0.00			0.191
LDNO HVplus: HV Generation Site Specific		0	-7.007	-0.218	-0.069	12.47			0.271
LDNO EHV: Domestic Aggregated or CT with Residual		0, 1, 2	6.171	0.223	0.069	2.78			
LDNO EHV: Domestic Aggregated (related MPAN)		2	6.171	0.223	0.069				

Tariff name	Unique billing identifier	PCs	Red/black unit charge p/kWh	Amber/yellow unit charge p/kWh	Green unit charge p/kWh	Fixed charge p/MPAN/day	Capacity charge p/kVA/day	Exceeded capacity charge p/kVA/day	Reactive power charge p/kVArh
LDNO EHV: Non-Domestic Aggregated or CT No Residual		0, 3, 4, 5-8	4.611	0.167	0.052	2.70			
LDNO EHV: Non-Domestic Aggregated or CT Band 1		0, 3, 4, 5-8	4.611	0.167	0.052	2.92			
LDNO EHV: Non-Domestic Aggregated or CT Band 2		0, 3, 4, 5-8	4.611	0.167	0.052	3.34			
LDNO EHV: Non-Domestic Aggregated or CT Band 3		0, 3, 4, 5-8	4.611	0.167	0.052	4.04			
LDNO EHV: Non-Domestic Aggregated or CT Band 4		0, 3, 4, 5-8	4.611	0.167	0.052	6.45			
LDNO EHV: Non-Domestic Aggregated (related MPAN)		4	4.611	0.167	0.052				
LDNO EHV: LV Site Specific No Residual		0	3.288	0.113	0.035	6.05	2.49	2.49	0.105
LDNO EHV: LV Site Specific Band 1		0	3.288	0.113	0.035	13.53	2.49	2.49	0.105
LDNO EHV: LV Site Specific Band 2		0	3.288	0.113	0.035	19.13	2.49	2.49	0.105
LDNO EHV: LV Site Specific Band 3		0	3.288	0.113	0.035	26.12	2.49	2.49	0.105
LDNO EHV: LV Site Specific Band 4		0	3.288	0.113	0.035	52.98	2.49	2.49	0.105
LDNO EHV: LV Sub Site Specific No Residual		0	3.045	0.095	0.030	7.64	3.25	3.25	0.094
LDNO EHV: LV Sub Site Specific Band 1		0	3.045	0.095	0.030	18.97	3.25	3.25	0.094
LDNO EHV: LV Sub Site Specific Band 2		0	3.045	0.095	0.030	27.43	3.25	3.25	0.094
LDNO EHV: LV Sub Site Specific Band 3		0	3.045	0.095	0.030	38.02	3.25	3.25	0.094
LDNO EHV: LV Sub Site Specific Band 4		0	3.045	0.095	0.030	78.66	3.25	3.25	0.094
LDNO EHV: HV Site Specific No Residual		0	2.948	0.087	0.028	86.24	3.26	3.26	0.091
LDNO EHV: HV Site Specific Band 1		0	2.948	0.087	0.028	176.92	3.26	3.26	0.091
LDNO EHV: HV Site Specific Band 2		0	2.948	0.087	0.028	312.37	3.26	3.26	0.091
LDNO EHV: HV Site Specific Band 3		0	2.948	0.087	0.028	408.27	3.26	3.26	0.091
LDNO EHV: HV Site Specific Band 4		0	2.948	0.087	0.028	1016.19	3.26	3.26	0.091
LDNO EHV: Unmetered Supplies		0, 1 or 8	16.744	0.746	0.593				
LDNO EHV: LV Generation Aggregated		0, 8	-5.446	-0.197	-0.061	0.00			
LDNO EHV: LV Sub Generation Aggregated		0	-4.916	-0.172	-0.053	0.00			
LDNO EHV: LV Generation Site Specific		0	-5.446	-0.197	-0.061	0.00			0.181
LDNO EHV: LV Sub Generation Site Specific		0	-4.916	-0.172	-0.053	0.00			0.153
LDNO EHV: HV Generation Site Specific		0	-5.608	-0.174	-0.055	9.98			0.217
LDNO 132kV/EHV: Domestic Aggregated or CT with Residual		0, 1, 2	5.082	0.184	0.057	2.29			
LDNO 132kV/EHV: Domestic Aggregated (related MPAN)		2	5.082	0.184	0.057				
LDNO 132kV/EHV: Non-Domestic Aggregated or CT No Residual		0, 3, 4, 5-8	3.798	0.137	0.043	2.23			

Tariff name	Unique billing identifier	PCs	Red/black unit charge p/kWh	Amber/yellow unit charge p/kWh	Green unit charge p/kWh	Fixed charge p/MPAN/day	Capacity charge p/kVA/day	Exceeded capacity charge p/kVA/day	Reactive power charge p/kVArh
LDNO 132kV/EHV: Non-Domestic Aggregated or CT Band 1		0, 3, 4, 5-8	3.798	0.137	0.043	2.40			
LDNO 132kV/EHV: Non-Domestic Aggregated or CT Band 2		0, 3, 4, 5-8	3.798	0.137	0.043	2.75			
LDNO 132kV/EHV: Non-Domestic Aggregated or CT Band 3		0, 3, 4, 5-8	3.798	0.137	0.043	3.33			
LDNO 132kV/EHV: Non-Domestic Aggregated or CT Band 4		0, 3, 4, 5-8	3.798	0.137	0.043	5.31			
LDNO 132kV/EHV: Non-Domestic Aggregated (related MPAN)		4	3.798	0.137	0.043				
LDNO 132kV/EHV: LV Site Specific No Residual		0	2.708	0.093	0.029	4.98	2.05	2.05	0.086
LDNO 132kV/EHV: LV Site Specific Band 1		0	2.708	0.093	0.029	11.15	2.05	2.05	0.086
LDNO 132kV/EHV: LV Site Specific Band 2		0	2.708	0.093	0.029	15.75	2.05	2.05	0.086
LDNO 132kV/EHV: LV Site Specific Band 3		0	2.708	0.093	0.029	21.51	2.05	2.05	0.086
LDNO 132kV/EHV: LV Site Specific Band 4		0	2.708	0.093	0.029	43.63	2.05	2.05	0.086
LDNO 132kV/EHV: LV Sub Site Specific No Residual		0	2.507	0.078	0.025	6.29	2.68	2.68	0.078
LDNO 132kV/EHV: LV Sub Site Specific Band 1		0	2.507	0.078	0.025	15.62	2.68	2.68	0.078
LDNO 132kV/EHV: LV Sub Site Specific Band 2		0	2.507	0.078	0.025	22.59	2.68	2.68	0.078
LDNO 132kV/EHV: LV Sub Site Specific Band 3		0	2.507	0.078	0.025	31.31	2.68	2.68	0.078
LDNO 132kV/EHV: LV Sub Site Specific Band 4		0	2.507	0.078	0.025	64.78	2.68	2.68	0.078
LDNO 132kV/EHV: HV Site Specific No Residual		0	2.428	0.071	0.023	71.02	2.69	2.69	0.075
LDNO 132kV/EHV: HV Site Specific Band 1		0	2.428	0.071	0.023	145.69	2.69	2.69	0.075
LDNO 132kV/EHV: HV Site Specific Band 2		0	2.428	0.071	0.023	257.24	2.69	2.69	0.075
LDNO 132kV/EHV: HV Site Specific Band 3		0	2.428	0.071	0.023	336.21	2.69	2.69	0.075
LDNO 132kV/EHV: HV Site Specific Band 4		0	2.428	0.071	0.023	836.84	2.69	2.69	0.075
LDNO 132kV/EHV: Unmetered Supplies		0, 1 or 8	13.788	0.614	0.489				
LDNO 132kV/EHV: LV Generation Aggregated		0, 8	-4.485	-0.162	-0.050	0.00			
LDNO 132kV/EHV: LV Sub Generation Aggregated		0	-4.049	-0.141	-0.044	0.00			
LDNO 132kV/EHV: LV Generation Site Specific		0	-4.485	-0.162	-0.050	0.00			0.149
LDNO 132kV/EHV: LV Sub Generation Site Specific		0	-4.049	-0.141	-0.044	0.00			0.126
LDNO 132kV/EHV: HV Generation Site Specific		0	-4.618	-0.144	-0.046	8.22			0.179
LDNO 132kV: Domestic Aggregated or CT with Residual		0, 1, 2	3.479	0.126	0.039	1.57			
LDNO 132kV: Domestic Aggregated (related MPAN)		2	3.479	0.126	0.039				
LDNO 132kV: Non-Domestic Aggregated or CT No Residual		0, 3, 4, 5-8	2.599	0.094	0.029	1.52			

Tariff name	Unique billing identifier	PCs	Red/black unit charge p/kWh	Amber/yellow unit charge p/kWh	Green unit charge p/kWh	Fixed charge p/MPAN/day	Capacity charge p/kVA/day	Exceeded capacity charge p/kVA/day	Reactive power charge p/kVArh
LDNO 132kV: Non-Domestic Aggregated or CT Band 1		0, 3, 4, 5-8	2.599	0.094	0.029	1.64			
LDNO 132kV: Non-Domestic Aggregated or CT Band 2		0, 3, 4, 5-8	2.599	0.094	0.029	1.88			
LDNO 132kV: Non-Domestic Aggregated or CT Band 3		0, 3, 4, 5-8	2.599	0.094	0.029	2.28			
LDNO 132kV: Non-Domestic Aggregated or CT Band 4		0, 3, 4, 5-8	2.599	0.094	0.029	3.64			
LDNO 132kV: Non-Domestic Aggregated (related MPAN)		4	2.599	0.094	0.029				
LDNO 132kV: LV Site Specific No Residual		0	1.853	0.064	0.020	3.41	1.40	1.40	0.059
LDNO 132kV: LV Site Specific Band 1		0	1.853	0.064	0.020	7.63	1.40	1.40	0.059
LDNO 132kV: LV Site Specific Band 2		0	1.853	0.064	0.020	10.78	1.40	1.40	0.059
LDNO 132kV: LV Site Specific Band 3		0	1.853	0.064	0.020	14.73	1.40	1.40	0.059
LDNO 132kV: LV Site Specific Band 4		0	1.853	0.064	0.020	29.87	1.40	1.40	0.059
LDNO 132kV: LV Sub Site Specific No Residual		0	1.716	0.053	0.017	4.31	1.83	1.83	0.053
LDNO 132kV: LV Sub Site Specific Band 1		0	1.716	0.053	0.017	10.69	1.83	1.83	0.053
LDNO 132kV: LV Sub Site Specific Band 2		0	1.716	0.053	0.017	15.46	1.83	1.83	0.053
LDNO 132kV: LV Sub Site Specific Band 3		0	1.716	0.053	0.017	21.43	1.83	1.83	0.053
LDNO 132kV: LV Sub Site Specific Band 4		0	1.716	0.053	0.017	44.34	1.83	1.83	0.053
LDNO 132kV: HV Site Specific No Residual		0	1.662	0.049	0.016	48.61	1.84	1.84	0.052
LDNO 132kV: HV Site Specific Band 1		0	1.662	0.049	0.016	99.73	1.84	1.84	0.052
LDNO 132kV: HV Site Specific Band 2		0	1.662	0.049	0.016	176.08	1.84	1.84	0.052
LDNO 132kV: HV Site Specific Band 3		0	1.662	0.049	0.016	230.14	1.84	1.84	0.052
LDNO 132kV: HV Site Specific Band 4		0	1.662	0.049	0.016	572.83	1.84	1.84	0.052
LDNO 132kV: Unmetered Supplies		0, 1 or 8	9.438	0.420	0.334				
LDNO 132kV: LV Generation Aggregated		0, 8	-3.070	-0.111	-0.034	0.00			
LDNO 132kV: LV Sub Generation Aggregated		0	-2.771	-0.097	-0.030	0.00			
LDNO 132kV: LV Generation Site Specific		0	-3.070	-0.111	-0.034	0.00			0.102
LDNO 132kV: LV Sub Generation Site Specific		0	-2.771	-0.097	-0.030	0.00			0.086
LDNO 132kV: HV Generation Site Specific		0	-3.161	-0.098	-0.031	5.62			0.122
LDNO 0000: Domestic Aggregated or CT with Residual		0, 1, 2	0.984	0.036	0.011	0.44			
LDNO 0000: Domestic Aggregated (related MPAN)		2	0.984	0.036	0.011				
LDNO 0000: Non-Domestic Aggregated or CT No Residual		0, 3, 4, 5-8	0.735	0.027	0.008	0.43			
LDNO 0000: Non-Domestic Aggregated or CT Band 1		0, 3, 4, 5-8	0.735	0.027	0.008	0.47			
LDNO 0000: Non-Domestic Aggregated or CT Band 2		0, 3, 4, 5-8	0.735	0.027	0.008	0.53			
LDNO 0000: Non-Domestic Aggregated or CT Band 3		0, 3, 4, 5-8	0.735	0.027	0.008	0.64			

Tariff name	Unique billing identifier	PCs	Red/black unit charge p/kWh	Amber/yellow unit charge p/kWh	Green unit charge p/kWh	Fixed charge p/MPAN/day	Capacity charge p/kVA/day	Exceeded capacity charge p/kVA/day	Reactive power charge p/kVArh
LDNO 0000: Non-Domestic Aggregated or CT Band 4		0, 3, 4, 5-8	0.735	0.027	0.008	1.03			
LDNO 0000: Non-Domestic Aggregated (related MPAN)		4	0.735	0.027	0.008				
LDNO 0000: LV Site Specific No Residual		0	0.524	0.018	0.006	0.96	0.40	0.40	0.017
LDNO 0000: LV Site Specific Band 1		0	0.524	0.018	0.006	2.16	0.40	0.40	0.017
LDNO 0000: LV Site Specific Band 2		0	0.524	0.018	0.006	3.05	0.40	0.40	0.017
LDNO 0000: LV Site Specific Band 3		0	0.524	0.018	0.006	4.17	0.40	0.40	0.017
LDNO 0000: LV Site Specific Band 4		0	0.524	0.018	0.006	8.45	0.40	0.40	0.017
LDNO 0000: LV Sub Site Specific No Residual		0	0.485	0.015	0.005	1.22	0.52	0.52	0.015
LDNO 0000: LV Sub Site Specific Band 1		0	0.485	0.015	0.005	3.02	0.52	0.52	0.015
LDNO 0000: LV Sub Site Specific Band 2		0	0.485	0.015	0.005	4.37	0.52	0.52	0.015
LDNO 0000: LV Sub Site Specific Band 3		0	0.485	0.015	0.005	6.06	0.52	0.52	0.015
LDNO 0000: LV Sub Site Specific Band 4		0	0.485	0.015	0.005	12.54	0.52	0.52	0.015
LDNO 0000: HV Site Specific No Residual		0	0.470	0.014	0.004	13.75	0.52	0.52	0.015
LDNO 0000: HV Site Specific Band 1		0	0.470	0.014	0.004	28.21	0.52	0.52	0.015
LDNO 0000: HV Site Specific Band 2		0	0.470	0.014	0.004	49.80	0.52	0.52	0.015
LDNO 0000: HV Site Specific Band 3		0	0.470	0.014	0.004	65.09	0.52	0.52	0.015
LDNO 0000: HV Site Specific Band 4		0	0.470	0.014	0.004	162.02	0.52	0.52	0.015
LDNO 0000: Unmetered Supplies		0, 1 or 8	2.670	0.119	0.095				
LDNO 0000: LV Generation Aggregated		0, 8	-0.868	-0.031	-0.010	0.00			
LDNO 0000: LV Sub Generation Aggregated		0	-0.784	-0.027	-0.009	0.00			
LDNO 0000: LV Generation Site Specific		0	-0.868	-0.031	-0.010	0.00			0.029
LDNO 0000: LV Sub Generation Site Specific		0	-0.784	-0.027	-0.009	0.00			0.024
LDNO 0000: HV Generation Site Specific		0	-0.894	-0.028	-0.009	1.59			0.035

Annex 4 - Charges applied to LDNOs with HV/LV end users in “NGED South Wales Area (GSP Group _K)”

Southern Electric Power Distribution plc - Effective from 1st April 2026 - Final LDNO tariffs in NGED South Wales Area (GSP Group _K)

Time Bands for LV and HV Properties			
Time periods	Red Time Band	Amber Time Band	Green Time Band
Monday to Friday (Including Bank Holidays) All Year	17:00 to 19:30	07:30 to 17:00 19:30 to 22:00	00:00 to 07:30 22:00 to 24:00
Saturday and Sunday All Year		12:00 to 13:00 16:00 to 21:00	00:00 to 12:00 13:00 to 16:00 21:00 to 24:00
Notes	All the above times are in UK Clock time		

Time Bands for Unmetered Properties			
	Black Time Band	Yellow Time Band	Green Time Band
Monday to Friday (Including Bank Holidays) Nov to Feb Inclusive (excluding 22nd Dec to 4th Jan inclusive)	17:00 to 19:30	07:30 to 17:00 19:30 to 22:00	00:00 to 07:30 22:00 to 24:00
Monday to Friday (Including Bank Holidays) Mar to Oct Inclusive (plus 22nd Dec to 4th Jan inclusive)		07:30 to 22:00	00:00 to 07:30 22:00 to 24:00
Saturday and Sunday All Year		12:00 to 13:00 16:00 to 21:00	00:00 to 12:00 13:00 to 16:00 21:00 to 24:00
Notes	All the above times are in UK Clock time		

Tariff name	Unique billing identifier	PCs	Red/black unit charge p/kWh	Amber/yellow unit charge p/kWh	Green unit charge p/kWh	Fixed charge p/MPAN/day	Capacity charge p/kVA/day	Exceeded capacity charge p/kVA/day	Reactive power charge p/kVArh
LDNO LV: Domestic Aggregated or CT with Residual		0, 1, 2	12.339	1.018	0.195	7.99			
LDNO LV: Domestic Aggregated (related MPAN)		2	12.339	1.018	0.195				
LDNO LV: Non-Domestic Aggregated or CT No Residual		0, 3, 4, 5-8	13.503	1.114	0.214	10.19			
LDNO LV: Non-Domestic Aggregated or CT Band 1		0, 3, 4, 5-8	13.503	1.114	0.214	12.08			
LDNO LV: Non-Domestic Aggregated or CT Band 2		0, 3, 4, 5-8	13.503	1.114	0.214	15.43			
LDNO LV: Non-Domestic Aggregated or CT Band 3		0, 3, 4, 5-8	13.503	1.114	0.214	21.21			
LDNO LV: Non-Domestic Aggregated or CT Band 4		0, 3, 4, 5-8	13.503	1.114	0.214	38.63			
LDNO LV: Non-Domestic Aggregated (related MPAN)		4	13.503	1.114	0.214				
LDNO LV: LV Site Specific No Residual		0	8.576	0.658	0.137	11.90	6.98	6.98	0.191
LDNO LV: LV Site Specific Band 1		0	8.576	0.658	0.137	62.98	6.98	6.98	0.191

Tariff name	Unique billing identifier	PCs	Red/black unit charge p/kWh	Amber/yellow unit charge p/kWh	Green unit charge p/kWh	Fixed charge p/MPAN/day	Capacity charge p/kVA/day	Exceeded capacity charge p/kVA/day	Reactive power charge p/kVArh
LDNO LV: LV Site Specific Band 2		0	8.576	0.658	0.137	110.18	6.98	6.98	0.191
LDNO LV: LV Site Specific Band 3		0	8.576	0.658	0.137	178.71	6.98	6.98	0.191
LDNO LV: LV Site Specific Band 4		0	8.576	0.658	0.137	399.78	6.98	6.98	0.191
LDNO LV: Unmetered Supplies		0, 1 or 8	43.517	2.146	1.253				
LDNO LV: LV Generation Aggregated		0	-12.886	-1.063	-0.204	0.00			
LDNO LV: LV Generation Site Specific		0	-12.886	-1.063	-0.204	0.00			0.355
LDNO HV: Domestic Aggregated or CT with Residual		0, 1, 2	7.536	0.622	0.119	4.88			
LDNO HV: Domestic Aggregated (Related MPAN)		2	7.536	0.622	0.119				
LDNO HV: Non-Domestic Aggregated or CT No Residual		0, 3, 4, 5-8	8.247	0.681	0.131	6.22			
LDNO HV: Non-Domestic Aggregated or CT Band 1		0, 3, 4, 5-8	8.247	0.681	0.131	7.38			
LDNO HV: Non-Domestic Aggregated or CT Band 2		0, 3, 4, 5-8	8.247	0.681	0.131	9.42			
LDNO HV: Non-Domestic Aggregated or CT Band 3		0, 3, 4, 5-8	8.247	0.681	0.131	12.96			
LDNO HV: Non-Domestic Aggregated or CT Band 4		0, 3, 4, 5-8	8.247	0.681	0.131	23.60			
LDNO HV: Non-Domestic Aggregated (related MPAN)		4	8.247	0.681	0.131				
LDNO HV: LV Site Specific No Residual		0	5.238	0.402	0.084	7.27	4.26	4.26	0.117
LDNO HV: LV Site Specific Band 1		0	5.238	0.402	0.084	38.46	4.26	4.26	0.117
LDNO HV: LV Site Specific Band 2		0	5.238	0.402	0.084	67.29	4.26	4.26	0.117
LDNO HV: LV Site Specific Band 3		0	5.238	0.402	0.084	109.15	4.26	4.26	0.117
LDNO HV: LV Site Specific Band 4		0	5.238	0.402	0.084	244.17	4.26	4.26	0.117
LDNO HV: LV Sub Site Specific No Residual		0	5.424	0.334	0.089	8.86	6.40	6.40	0.114
LDNO HV: LV Sub Site Specific Band 1		0	5.424	0.334	0.089	57.57	6.40	6.40	0.114
LDNO HV: LV Sub Site Specific Band 2		0	5.424	0.334	0.089	102.59	6.40	6.40	0.114
LDNO HV: LV Sub Site Specific Band 3		0	5.424	0.334	0.089	167.95	6.40	6.40	0.114
LDNO HV: LV Sub Site Specific Band 4		0	5.424	0.334	0.089	378.79	6.40	6.40	0.114
LDNO HV: HV Site Specific No Residual		0	4.571	0.251	0.074	98.93	8.01	8.01	0.088
LDNO HV: HV Site Specific Band 1		0	4.571	0.251	0.074	531.52	8.01	8.01	0.088
LDNO HV: HV Site Specific Band 2		0	4.571	0.251	0.074	1221.65	8.01	8.01	0.088
LDNO HV: HV Site Specific Band 3		0	4.571	0.251	0.074	2205.17	8.01	8.01	0.088
LDNO HV: HV Site Specific Band 4		0	4.571	0.251	0.074	5042.22	8.01	8.01	0.088
LDNO HV: Unmetered Supplies		0, 1 or 8	26.578	1.311	0.765				
LDNO HV: LV Generation Aggregated		0	-12.886	-1.063	-0.204	0.00			
LDNO HV: LV Sub Generation Aggregated		0	-11.227	-0.888	-0.179	0.00			
LDNO HV: LV Generation Site Specific		0	-12.886	-1.063	-0.204	0.00			0.355

Tariff name	Unique billing identifier	PCs	Red/black unit charge p/kWh	Amber/yellow unit charge p/kWh	Green unit charge p/kWh	Fixed charge p/MPAN/day	Capacity charge p/kVA/day	Exceeded capacity charge p/kVA/day	Reactive power charge p/kVArh
LDNO HV: LV Sub Generation Site Specific		0	-11.227	-0.888	-0.179	0.00			0.266
LDNO HV: HV Generation Site Specific		0	-6.811	-0.419	-0.112	0.00			0.227

Tariff name	Unique billing identifier	PCs	Red/black unit charge p/kWh	Amber/yellow unit charge p/kWh	Green unit charge p/kWh	Fixed charge p/MPAN/day	Capacity charge p/kVA/day	Exceeded capacity charge p/kVA/day	Reactive power charge p/kVArh
LDNO HVplus: Domestic Aggregated or CT with Residual		0, 1, 2	4.695	0.387	0.074	3.04			
LDNO HVplus: Domestic Aggregated (related MPAN)		2	4.695	0.387	0.074				
LDNO HVplus: Non-Domestic Aggregated or CT No Residual		0, 3, 4, 5-8	5.137	0.424	0.081	3.88			
LDNO HVplus: Non-Domestic Aggregated or CT Band 1		0, 3, 4, 5-8	5.137	0.424	0.081	4.59			
LDNO HVplus: Non-Domestic Aggregated or CT Band 2		0, 3, 4, 5-8	5.137	0.424	0.081	5.87			
LDNO HVplus: Non-Domestic Aggregated or CT Band 3		0, 3, 4, 5-8	5.137	0.424	0.081	8.07			
LDNO HVplus: Non-Domestic Aggregated or CT Band 4		0, 3, 4, 5-8	5.137	0.424	0.081	14.70			
LDNO HVplus: Non-Domestic Aggregated (related MPAN)		4	5.137	0.424	0.081				
LDNO HVplus: LV Site Specific No Residual		0	3.263	0.250	0.052	4.53	2.66	2.66	0.073
LDNO HVplus: LV Site Specific Band 1		0	3.263	0.250	0.052	23.96	2.66	2.66	0.073
LDNO HVplus: LV Site Specific Band 2		0	3.263	0.250	0.052	41.92	2.66	2.66	0.073
LDNO HVplus: LV Site Specific Band 3		0	3.263	0.250	0.052	67.99	2.66	2.66	0.073
LDNO HVplus: LV Site Specific Band 4		0	3.263	0.250	0.052	152.10	2.66	2.66	0.073
LDNO HVplus: LV Sub Site Specific No Residual		0	3.293	0.203	0.054	5.38	3.88	3.88	0.069
LDNO HVplus: LV Sub Site Specific Band 1		0	3.293	0.203	0.054	34.95	3.88	3.88	0.069
LDNO HVplus: LV Sub Site Specific Band 2		0	3.293	0.203	0.054	62.27	3.88	3.88	0.069
LDNO HVplus: LV Sub Site Specific Band 3		0	3.293	0.203	0.054	101.95	3.88	3.88	0.069
LDNO HVplus: LV Sub Site Specific Band 4		0	3.293	0.203	0.054	229.94	3.88	3.88	0.069
LDNO HVplus: HV Site Specific No Residual		0	2.726	0.150	0.044	59.00	4.78	4.78	0.052
LDNO HVplus: HV Site Specific Band 1		0	2.726	0.150	0.044	316.96	4.78	4.78	0.052
LDNO HVplus: HV Site Specific Band 2		0	2.726	0.150	0.044	728.51	4.78	4.78	0.052
LDNO HVplus: HV Site Specific Band 3		0	2.726	0.150	0.044	1315.02	4.78	4.78	0.052
LDNO HVplus: HV Site Specific Band 4		0	2.726	0.150	0.044	3006.85	4.78	4.78	0.052
LDNO HVplus: Unmetered Supplies		0, 1 or 8	16.557	0.816	0.477				
LDNO HVplus: LV Generation Aggregated		0	-4.966	-0.410	-0.079	0.00			

Tariff name	Unique billing identifier	PCs	Red/black unit charge p/kWh	Amber/yellow unit charge p/kWh	Green unit charge p/kWh	Fixed charge p/MPAN/day	Capacity charge p/kVA/day	Exceeded capacity charge p/kVA/day	Reactive power charge p/kVArh
LDNO HVplus: LV Sub Generation Aggregated		0	-5.141	-0.407	-0.082	0.00			
LDNO HVplus: LV Generation Site Specific		0	-4.966	-0.410	-0.079	0.00			0.137
LDNO HVplus: LV Sub Generation Site Specific		0	-5.141	-0.407	-0.082	0.00			0.122
LDNO HVplus: HV Generation Site Specific		0	-6.811	-0.419	-0.112	80.63			0.227
LDNO EHV: Domestic Aggregated or CT with Residual		0, 1, 2	3.745	0.309	0.059	2.43			
LDNO EHV: Domestic Aggregated (related MPAN)		2	3.745	0.309	0.059				
LDNO EHV: Non-Domestic Aggregated or CT No Residual		0, 3, 4, 5-8	4.098	0.338	0.065	3.09			
LDNO EHV: Non-Domestic Aggregated or CT Band 1		0, 3, 4, 5-8	4.098	0.338	0.065	3.66			
LDNO EHV: Non-Domestic Aggregated or CT Band 2		0, 3, 4, 5-8	4.098	0.338	0.065	4.68			
LDNO EHV: Non-Domestic Aggregated or CT Band 3		0, 3, 4, 5-8	4.098	0.338	0.065	6.44			
LDNO EHV: Non-Domestic Aggregated or CT Band 4		0, 3, 4, 5-8	4.098	0.338	0.065	11.72			
LDNO EHV: Non-Domestic Aggregated (related MPAN)		4	4.098	0.338	0.065				
LDNO EHV: LV Site Specific No Residual		0	2.603	0.200	0.042	3.61	2.12	2.12	0.058
LDNO EHV: LV Site Specific Band 1		0	2.603	0.200	0.042	19.11	2.12	2.12	0.058
LDNO EHV: LV Site Specific Band 2		0	2.603	0.200	0.042	33.43	2.12	2.12	0.058
LDNO EHV: LV Site Specific Band 3		0	2.603	0.200	0.042	54.23	2.12	2.12	0.058
LDNO EHV: LV Site Specific Band 4		0	2.603	0.200	0.042	121.32	2.12	2.12	0.058
LDNO EHV: LV Sub Site Specific No Residual		0	2.626	0.162	0.043	4.29	3.10	3.10	0.055
LDNO EHV: LV Sub Site Specific Band 1		0	2.626	0.162	0.043	27.87	3.10	3.10	0.055
LDNO EHV: LV Sub Site Specific Band 2		0	2.626	0.162	0.043	49.67	3.10	3.10	0.055
LDNO EHV: LV Sub Site Specific Band 3		0	2.626	0.162	0.043	81.32	3.10	3.10	0.055
LDNO EHV: LV Sub Site Specific Band 4		0	2.626	0.162	0.043	183.40	3.10	3.10	0.055
LDNO EHV: HV Site Specific No Residual		0	2.174	0.119	0.035	47.05	3.81	3.81	0.042
LDNO EHV: HV Site Specific Band 1		0	2.174	0.119	0.035	252.81	3.81	3.81	0.042
LDNO EHV: HV Site Specific Band 2		0	2.174	0.119	0.035	581.06	3.81	3.81	0.042
LDNO EHV: HV Site Specific Band 3		0	2.174	0.119	0.035	1048.87	3.81	3.81	0.042
LDNO EHV: HV Site Specific Band 4		0	2.174	0.119	0.035	2398.28	3.81	3.81	0.042
LDNO EHV: Unmetered Supplies		0, 1 or 8	13.206	0.651	0.380				
LDNO EHV: LV Generation Aggregated		0	-3.961	-0.327	-0.063	0.00			
LDNO EHV: LV Sub Generation Aggregated		0	-4.101	-0.324	-0.065	0.00			
LDNO EHV: LV Generation Site Specific		0	-3.961	-0.327	-0.063	0.00			0.109
LDNO EHV: LV Sub Generation Site Specific		0	-4.101	-0.324	-0.065	0.00			0.097
LDNO EHV: HV Generation Site Specific		0	-5.433	-0.334	-0.089	64.31			0.181

Tariff name	Unique billing identifier	PCs	Red/black unit charge p/kWh	Amber/yellow unit charge p/kWh	Green unit charge p/kWh	Fixed charge p/MPAN/day	Capacity charge p/kVA/day	Exceeded capacity charge p/kVA/day	Reactive power charge p/kVArh
LDNO 132kV/EHV: Domestic Aggregated or CT with Residual		0, 1, 2	3.138	0.259	0.050	2.03			
LDNO 132kV/EHV: Domestic Aggregated (related MPAN)		2	3.138	0.259	0.050				
LDNO 132kV/EHV: Non-Domestic Aggregated or CT No Residual		0, 3, 4, 5-8	3.434	0.283	0.054	2.59			
LDNO 132kV/EHV: Non-Domestic Aggregated or CT Band 1		0, 3, 4, 5-8	3.434	0.283	0.054	3.07			
LDNO 132kV/EHV: Non-Domestic Aggregated or CT Band 2		0, 3, 4, 5-8	3.434	0.283	0.054	3.92			
LDNO 132kV/EHV: Non-Domestic Aggregated or CT Band 3		0, 3, 4, 5-8	3.434	0.283	0.054	5.40			
LDNO 132kV/EHV: Non-Domestic Aggregated or CT Band 4		0, 3, 4, 5-8	3.434	0.283	0.054	9.83			
LDNO 132kV/EHV: Non-Domestic Aggregated (related MPAN)		4	3.434	0.283	0.054				
LDNO 132kV/EHV: LV Site Specific No Residual		0	2.181	0.167	0.035	3.03	1.78	1.78	0.049
LDNO 132kV/EHV: LV Site Specific Band 1		0	2.181	0.167	0.035	16.02	1.78	1.78	0.049
LDNO 132kV/EHV: LV Site Specific Band 2		0	2.181	0.167	0.035	28.02	1.78	1.78	0.049
LDNO 132kV/EHV: LV Site Specific Band 3		0	2.181	0.167	0.035	45.45	1.78	1.78	0.049
LDNO 132kV/EHV: LV Site Specific Band 4		0	2.181	0.167	0.035	101.67	1.78	1.78	0.049
LDNO 132kV/EHV: LV Sub Site Specific No Residual		0	2.201	0.135	0.036	3.59	2.60	2.60	0.046
LDNO 132kV/EHV: LV Sub Site Specific Band 1		0	2.201	0.135	0.036	23.36	2.60	2.60	0.046
LDNO 132kV/EHV: LV Sub Site Specific Band 2		0	2.201	0.135	0.036	41.63	2.60	2.60	0.046
LDNO 132kV/EHV: LV Sub Site Specific Band 3		0	2.201	0.135	0.036	68.15	2.60	2.60	0.046
LDNO 132kV/EHV: LV Sub Site Specific Band 4		0	2.201	0.135	0.036	153.70	2.60	2.60	0.046
LDNO 132kV/EHV: HV Site Specific No Residual		0	1.822	0.100	0.029	39.44	3.19	3.19	0.035
LDNO 132kV/EHV: HV Site Specific Band 1		0	1.822	0.100	0.029	211.87	3.19	3.19	0.035
LDNO 132kV/EHV: HV Site Specific Band 2		0	1.822	0.100	0.029	486.97	3.19	3.19	0.035
LDNO 132kV/EHV: HV Site Specific Band 3		0	1.822	0.100	0.029	879.03	3.19	3.19	0.035
LDNO 132kV/EHV: HV Site Specific Band 4		0	1.822	0.100	0.029	2009.93	3.19	3.19	0.035
LDNO 132kV/EHV: Unmetered Supplies		0, 1 or 8	11.068	0.546	0.319				
LDNO 132kV/EHV: LV Generation Aggregated		0	-3.319	-0.274	-0.053	0.00			
LDNO 132kV/EHV: LV Sub Generation Aggregated		0	-3.437	-0.272	-0.055	0.00			
LDNO 132kV/EHV: LV Generation Site Specific		0	-3.319	-0.274	-0.053	0.00			0.091
LDNO 132kV/EHV: LV Sub Generation Site Specific		0	-3.437	-0.272	-0.055	0.00			0.081

Tariff name	Unique billing identifier	PCs	Red/black unit charge p/kWh	Amber/yellow unit charge p/kWh	Green unit charge p/kWh	Fixed charge p/MPAN/day	Capacity charge p/kVA/day	Exceeded capacity charge p/kVA/day	Reactive power charge p/kVArh
LDNO 132kV/EHV: HV Generation Site Specific		0	-4.553	-0.280	-0.075	53.90			0.152
LDNO 132kV: Domestic Aggregated or CT with Residual		0, 1, 2	1.776	0.147	0.028	1.15			
LDNO 132kV: Domestic Aggregated (related MPAN)		2	1.776	0.147	0.028				
LDNO 132kV: Non-Domestic Aggregated or CT No Residual		0, 3, 4, 5-8	1.943	0.160	0.031	1.47			
LDNO 132kV: Non-Domestic Aggregated or CT Band 1		0, 3, 4, 5-8	1.943	0.160	0.031	1.74			
LDNO 132kV: Non-Domestic Aggregated or CT Band 2		0, 3, 4, 5-8	1.943	0.160	0.031	2.22			
LDNO 132kV: Non-Domestic Aggregated or CT Band 3		0, 3, 4, 5-8	1.943	0.160	0.031	3.05			
LDNO 132kV: Non-Domestic Aggregated or CT Band 4		0, 3, 4, 5-8	1.943	0.160	0.031	5.56			
LDNO 132kV: Non-Domestic Aggregated (related MPAN)		4	1.943	0.160	0.031				
LDNO 132kV: LV Site Specific No Residual		0	1.234	0.095	0.020	1.71	1.00	1.00	0.028
LDNO 132kV: LV Site Specific Band 1		0	1.234	0.095	0.020	9.06	1.00	1.00	0.028
LDNO 132kV: LV Site Specific Band 2		0	1.234	0.095	0.020	15.86	1.00	1.00	0.028
LDNO 132kV: LV Site Specific Band 3		0	1.234	0.095	0.020	25.72	1.00	1.00	0.028
LDNO 132kV: LV Site Specific Band 4		0	1.234	0.095	0.020	57.54	1.00	1.00	0.028
LDNO 132kV: LV Sub Site Specific No Residual		0	1.246	0.077	0.020	2.03	1.47	1.47	0.026
LDNO 132kV: LV Sub Site Specific Band 1		0	1.246	0.077	0.020	13.22	1.47	1.47	0.026
LDNO 132kV: LV Sub Site Specific Band 2		0	1.246	0.077	0.020	23.56	1.47	1.47	0.026
LDNO 132kV: LV Sub Site Specific Band 3		0	1.246	0.077	0.020	38.57	1.47	1.47	0.026
LDNO 132kV: LV Sub Site Specific Band 4		0	1.246	0.077	0.020	86.98	1.47	1.47	0.026
LDNO 132kV: HV Site Specific No Residual		0	1.031	0.057	0.017	22.32	1.81	1.81	0.020
LDNO 132kV: HV Site Specific Band 1		0	1.031	0.057	0.017	119.90	1.81	1.81	0.020
LDNO 132kV: HV Site Specific Band 2		0	1.031	0.057	0.017	275.59	1.81	1.81	0.020
LDNO 132kV: HV Site Specific Band 3		0	1.031	0.057	0.017	497.46	1.81	1.81	0.020
LDNO 132kV: HV Site Specific Band 4		0	1.031	0.057	0.017	1137.47	1.81	1.81	0.020
LDNO 132kV: Unmetered Supplies		0, 1 or 8	6.263	0.309	0.180				
LDNO 132kV: LV Generation Aggregated		0	-1.878	-0.155	-0.030	0.00			
LDNO 132kV: LV Sub Generation Aggregated		0	-1.945	-0.154	-0.031	0.00			
LDNO 132kV: LV Generation Site Specific		0	-1.878	-0.155	-0.030	0.00			0.052
LDNO 132kV: LV Sub Generation Site Specific		0	-1.945	-0.154	-0.031	0.00			0.046
LDNO 132kV: HV Generation Site Specific		0	-2.577	-0.159	-0.042	30.50			0.086
LDNO 0000: Domestic Aggregated or CT with Residual		0, 1, 2	0.518	0.043	0.008	0.34			
LDNO 0000: Domestic Aggregated (related MPAN)		2	0.518	0.043	0.008				

Tariff name	Unique billing identifier	PCs	Red/black unit charge p/kWh	Amber/yellow unit charge p/kWh	Green unit charge p/kWh	Fixed charge p/MPAN/day	Capacity charge p/kVA/day	Exceeded capacity charge p/kVA/day	Reactive power charge p/kVArh
LDNO 0000: Non-Domestic Aggregated or CT No Residual		0, 3, 4, 5-8	0.567	0.047	0.009	0.43			
LDNO 0000: Non-Domestic Aggregated or CT Band 1		0, 3, 4, 5-8	0.567	0.047	0.009	0.51			
LDNO 0000: Non-Domestic Aggregated or CT Band 2		0, 3, 4, 5-8	0.567	0.047	0.009	0.65			
LDNO 0000: Non-Domestic Aggregated or CT Band 3		0, 3, 4, 5-8	0.567	0.047	0.009	0.89			
LDNO 0000: Non-Domestic Aggregated or CT Band 4		0, 3, 4, 5-8	0.567	0.047	0.009	1.62			
LDNO 0000: Non-Domestic Aggregated (related MPAN)		4	0.567	0.047	0.009				
LDNO 0000: LV Site Specific No Residual		0	0.360	0.028	0.006	0.50	0.29	0.29	0.008
LDNO 0000: LV Site Specific Band 1		0	0.360	0.028	0.006	2.64	0.29	0.29	0.008
LDNO 0000: LV Site Specific Band 2		0	0.360	0.028	0.006	4.63	0.29	0.29	0.008
LDNO 0000: LV Site Specific Band 3		0	0.360	0.028	0.006	7.50	0.29	0.29	0.008
LDNO 0000: LV Site Specific Band 4		0	0.360	0.028	0.006	16.79	0.29	0.29	0.008
LDNO 0000: LV Sub Site Specific No Residual		0	0.363	0.022	0.006	0.59	0.43	0.43	0.008
LDNO 0000: LV Sub Site Specific Band 1		0	0.363	0.022	0.006	3.86	0.43	0.43	0.008
LDNO 0000: LV Sub Site Specific Band 2		0	0.363	0.022	0.006	6.87	0.43	0.43	0.008
LDNO 0000: LV Sub Site Specific Band 3		0	0.363	0.022	0.006	11.25	0.43	0.43	0.008
LDNO 0000: LV Sub Site Specific Band 4		0	0.363	0.022	0.006	25.38	0.43	0.43	0.008
LDNO 0000: HV Site Specific No Residual		0	0.301	0.017	0.005	6.51	0.53	0.53	0.006
LDNO 0000: HV Site Specific Band 1		0	0.301	0.017	0.005	34.98	0.53	0.53	0.006
LDNO 0000: HV Site Specific Band 2		0	0.301	0.017	0.005	80.41	0.53	0.53	0.006
LDNO 0000: HV Site Specific Band 3		0	0.301	0.017	0.005	145.14	0.53	0.53	0.006
LDNO 0000: HV Site Specific Band 4		0	0.301	0.017	0.005	331.87	0.53	0.53	0.006
LDNO 0000: Unmetered Supplies		0, 1 or 8	1.827	0.090	0.053				
LDNO 0000: LV Generation Aggregated		0	-0.548	-0.045	-0.009	0.00			
LDNO 0000: LV Sub Generation Aggregated		0	-0.567	-0.045	-0.009	0.00			
LDNO 0000: LV Generation Site Specific		0	-0.548	-0.045	-0.009	0.00			0.015
LDNO 0000: LV Sub Generation Site Specific		0	-0.567	-0.045	-0.009	0.00			0.013
LDNO 0000: HV Generation Site Specific		0	-0.752	-0.046	-0.012	8.90			0.025

Annex 4 - Charges applied to LDNOs with HV/LV end users in “NGED South West Area (GSP Group _L)”

Southern Electric Power Distribution plc - Effective from 1st April 2026 - Final LDNO tariffs in NGED South West Area (GSP Group _L)

Time Bands for LV and HV Properties			
Time periods	Red Time Band	Amber Time Band	Green Time Band
Monday to Friday (Including Bank Holidays) All Year	17:00 - 19:00	07:30 to 17:00 19:00 to 21:30	00:00 to 07:30 21:30 to 24:00
Saturday and Sunday All Year		16:30 to 19:30	00:00 to 16:30 19:30 to 24:00
Notes	All the above times are in UK Clock time		

Time Bands for Unmetered Properties			
	Black Time Band	Yellow Time Band	Green Time Band
Monday to Friday (Including Bank Holidays) Nov to Feb Inclusive (excluding 22nd Dec to 4th Jan inclusive)	17:00 to 19:00	07:30 to 17:00 19:00 to 21:30	00:00 to 07:30 21:30 to 24:00
Monday to Friday (Including Bank Holidays) Mar to Oct Inclusive (plus 22nd Dec to 4th Jan inclusive)		07:30 to 21:30	00:00 to 07:30 21:30 to 24:00
Saturday and Sunday All Year		16:30 to 19:30	00:00 to 16:30 19:30 to 24:00
Notes	All the above times are in UK Clock time		

Tariff name	Unique billing identifier	PCs	Red/black unit charge p/kWh	Amber/yellow unit charge p/kWh	Green unit charge p/kWh	Fixed charge p/MPAN/day	Capacity charge p/kVA/day	Exceeded capacity charge p/kVA/day	Reactive power charge p/kVArh
LDNO LV: Domestic Aggregated or CT with Residual		1, 2 or 0	14.031	1.119	0.122	7.75			
LDNO LV: Domestic Aggregated (related MPAN)		2	14.031	1.119	0.122				
LDNO LV: Non-Domestic Aggregated or CT No Residual		3 to 8 or 0	14.926	1.190	0.130	10.73			
LDNO LV: Non-Domestic Aggregated or CT Band 1		3 to 8 or 0	14.926	1.190	0.130	11.11			
LDNO LV: Non-Domestic Aggregated or CT Band 2		3 to 8 or 0	14.926	1.190	0.130	12.28			
LDNO LV: Non-Domestic Aggregated or CT Band 3		3 to 8 or 0	14.926	1.190	0.130	13.85			
LDNO LV: Non-Domestic Aggregated or CT Band 4		3 to 8 or 0	14.926	1.190	0.130	18.31			
LDNO LV: Non-Domestic Aggregated (related MPAN)		4	14.926	1.190	0.130				
LDNO LV: LV Site Specific No Residual		0	9.147	0.657	0.070	10.68	7.51	7.51	0.133
LDNO LV: LV Site Specific Band 1		0	9.147	0.657	0.070	25.60	7.51	7.51	0.133

Tariff name	Unique billing identifier	PCs	Red/black unit charge p/kWh	Amber/yellow unit charge p/kWh	Green unit charge p/kWh	Fixed charge p/MPAN/day	Capacity charge p/kVA/day	Exceeded capacity charge p/kVA/day	Reactive power charge p/kVArh
LDNO LV: LV Site Specific Band 2		0	9.147	0.657	0.070	37.49	7.51	7.51	0.133
LDNO LV: LV Site Specific Band 3		0	9.147	0.657	0.070	53.55	7.51	7.51	0.133
LDNO LV: LV Site Specific Band 4		0	9.147	0.657	0.070	105.63	7.51	7.51	0.133
LDNO LV: Unmetered Supplies		0, 1 or 8	42.087	2.181	0.946				
LDNO LV: LV Generation Aggregated		0	-14.503	-1.156	-0.126	0.00			
LDNO LV: LV Generation Site Specific		0	-14.503	-1.156	-0.126	0.00			0.264
LDNO HV: Domestic Aggregated or CT with Residual		1, 2 or 0	9.369	0.747	0.082	5.18			
LDNO HV: Domestic Aggregated (Related MPAN)		2	9.369	0.747	0.082				
LDNO HV: Non-Domestic Aggregated or CT No Residual		3 to 8 or 0	9.966	0.795	0.087	7.17			
LDNO HV: Non-Domestic Aggregated or CT Band 1		3 to 8 or 0	9.966	0.795	0.087	7.42			
LDNO HV: Non-Domestic Aggregated or CT Band 2		3 to 8 or 0	9.966	0.795	0.087	8.20			
LDNO HV: Non-Domestic Aggregated or CT Band 3		3 to 8 or 0	9.966	0.795	0.087	9.25			
LDNO HV: Non-Domestic Aggregated or CT Band 4		3 to 8 or 0	9.966	0.795	0.087	12.23			
LDNO HV: Non-Domestic Aggregated (related MPAN)		4	9.966	0.795	0.087				
LDNO HV: LV Site Specific No Residual		0	6.107	0.438	0.047	7.13	5.01	5.01	0.089
LDNO HV: LV Site Specific Band 1		0	6.107	0.438	0.047	17.09	5.01	5.01	0.089
LDNO HV: LV Site Specific Band 2		0	6.107	0.438	0.047	25.03	5.01	5.01	0.089
LDNO HV: LV Site Specific Band 3		0	6.107	0.438	0.047	35.75	5.01	5.01	0.089
LDNO HV: LV Site Specific Band 4		0	6.107	0.438	0.047	70.53	5.01	5.01	0.089
LDNO HV: LV Sub Site Specific No Residual		0	6.458	0.341	0.034	9.31	7.22	7.22	0.081
LDNO HV: LV Sub Site Specific Band 1		0	6.458	0.341	0.034	25.98	7.22	7.22	0.081
LDNO HV: LV Sub Site Specific Band 2		0	6.458	0.341	0.034	39.27	7.22	7.22	0.081
LDNO HV: LV Sub Site Specific Band 3		0	6.458	0.341	0.034	57.21	7.22	7.22	0.081
LDNO HV: LV Sub Site Specific Band 4		0	6.458	0.341	0.034	115.41	7.22	7.22	0.081
LDNO HV: HV Site Specific No Residual		0	5.938	0.248	0.023	102.30	8.25	8.25	0.067
LDNO HV: HV Site Specific Band 1		0	5.938	0.248	0.023	244.86	8.25	8.25	0.067
LDNO HV: HV Site Specific Band 2		0	5.938	0.248	0.023	430.59	8.25	8.25	0.067
LDNO HV: HV Site Specific Band 3		0	5.938	0.248	0.023	833.22	8.25	8.25	0.067
LDNO HV: HV Site Specific Band 4		0	5.938	0.248	0.023	1564.70	8.25	8.25	0.067
LDNO HV: Unmetered Supplies		0, 1 or 8	28.102	1.457	0.632				
LDNO HV: LV Generation Aggregated		0	-14.503	-1.156	-0.126	0.00			
LDNO HV: LV Sub Generation Aggregated		0	-12.444	-0.931	-0.101	0.00			
LDNO HV: LV Generation Site Specific		0	-14.503	-1.156	-0.126	0.00			0.264

Tariff name	Unique billing identifier	PCs	Red/black unit charge p/kWh	Amber/yellow unit charge p/kWh	Green unit charge p/kWh	Fixed charge p/MPAN/day	Capacity charge p/kVA/day	Exceeded capacity charge p/kVA/day	Reactive power charge p/kVArh
LDNO HV: LV Sub Generation Site Specific		0	-12.444	-0.931	-0.101	0.00			0.189
LDNO HV: HV Generation Site Specific		0	-7.786	-0.412	-0.041	0.00			0.159

Tariff name	Unique billing identifier	PCs	Red/black unit charge p/kWh	Amber/yellow unit charge p/kWh	Green unit charge p/kWh	Fixed charge p/MPAN/day	Capacity charge p/kVA/day	Exceeded capacity charge p/kVA/day	Reactive power charge p/kVArh
LDNO HVplus: Domestic Aggregated or CT with Residual		1, 2 or 0	6.515	0.519	0.057	3.60			
LDNO HVplus: Domestic Aggregated (related MPAN)		2	6.515	0.519	0.057				
LDNO HVplus: Non-Domestic Aggregated or CT No Residual		3 to 8 or 0	6.930	0.553	0.060	4.98			
LDNO HVplus: Non-Domestic Aggregated or CT Band 1		3 to 8 or 0	6.930	0.553	0.060	5.16			
LDNO HVplus: Non-Domestic Aggregated or CT Band 2		3 to 8 or 0	6.930	0.553	0.060	5.70			
LDNO HVplus: Non-Domestic Aggregated or CT Band 3		3 to 8 or 0	6.930	0.553	0.060	6.43			
LDNO HVplus: Non-Domestic Aggregated or CT Band 4		3 to 8 or 0	6.930	0.553	0.060	8.50			
LDNO HVplus: Non-Domestic Aggregated (related MPAN)		4	6.930	0.553	0.060				
LDNO HVplus: LV Site Specific No Residual		0	4.247	0.305	0.033	4.96	3.49	3.49	0.062
LDNO HVplus: LV Site Specific Band 1		0	4.247	0.305	0.033	11.88	3.49	3.49	0.062
LDNO HVplus: LV Site Specific Band 2		0	4.247	0.305	0.033	17.40	3.49	3.49	0.062
LDNO HVplus: LV Site Specific Band 3		0	4.247	0.305	0.033	24.86	3.49	3.49	0.062
LDNO HVplus: LV Site Specific Band 4		0	4.247	0.305	0.033	49.04	3.49	3.49	0.062
LDNO HVplus: LV Sub Site Specific No Residual		0	4.391	0.232	0.023	6.33	4.91	4.91	0.055
LDNO HVplus: LV Sub Site Specific Band 1		0	4.391	0.232	0.023	17.66	4.91	4.91	0.055
LDNO HVplus: LV Sub Site Specific Band 2		0	4.391	0.232	0.023	26.70	4.91	4.91	0.055
LDNO HVplus: LV Sub Site Specific Band 3		0	4.391	0.232	0.023	38.90	4.91	4.91	0.055
LDNO HVplus: LV Sub Site Specific Band 4		0	4.391	0.232	0.023	78.46	4.91	4.91	0.055
LDNO HVplus: HV Site Specific No Residual		0	3.992	0.167	0.015	68.78	5.55	5.55	0.045
LDNO HVplus: HV Site Specific Band 1		0	3.992	0.167	0.015	164.62	5.55	5.55	0.045
LDNO HVplus: HV Site Specific Band 2		0	3.992	0.167	0.015	289.49	5.55	5.55	0.045
LDNO HVplus: HV Site Specific Band 3		0	3.992	0.167	0.015	560.19	5.55	5.55	0.045
LDNO HVplus: HV Site Specific Band 4		0	3.992	0.167	0.015	1051.97	5.55	5.55	0.045
LDNO HVplus: Unmetered Supplies		0, 1 or 8	19.540	1.013	0.439				
LDNO HVplus: LV Generation Aggregated		0	-6.794	-0.542	-0.059	0.00			

Tariff name	Unique billing identifier	PCs	Red/black unit charge p/kWh	Amber/yellow unit charge p/kWh	Green unit charge p/kWh	Fixed charge p/MPAN/day	Capacity charge p/kVA/day	Exceeded capacity charge p/kVA/day	Reactive power charge p/kVArh
LDNO HVplus: LV Sub Generation Aggregated		0	-6.860	-0.513	-0.055	0.00			
LDNO HVplus: LV Generation Site Specific		0	-6.794	-0.542	-0.059	0.00			0.123
LDNO HVplus: LV Sub Generation Site Specific		0	-6.860	-0.513	-0.055	0.00			0.104
LDNO HVplus: HV Generation Site Specific		0	-7.786	-0.412	-0.041	78.08			0.159
LDNO EHV: Domestic Aggregated or CT with Residual		1, 2 or 0	5.066	0.404	0.044	2.80			
LDNO EHV: Domestic Aggregated (related MPAN)		2	5.066	0.404	0.044				
LDNO EHV: Non-Domestic Aggregated or CT No Residual		3 to 8 or 0	5.389	0.430	0.047	3.88			
LDNO EHV: Non-Domestic Aggregated or CT Band 1		3 to 8 or 0	5.389	0.430	0.047	4.01			
LDNO EHV: Non-Domestic Aggregated or CT Band 2		3 to 8 or 0	5.389	0.430	0.047	4.43			
LDNO EHV: Non-Domestic Aggregated or CT Band 3		3 to 8 or 0	5.389	0.430	0.047	5.00			
LDNO EHV: Non-Domestic Aggregated or CT Band 4		3 to 8 or 0	5.389	0.430	0.047	6.61			
LDNO EHV: Non-Domestic Aggregated (related MPAN)		4	5.389	0.430	0.047				
LDNO EHV: LV Site Specific No Residual		0	3.303	0.237	0.025	3.85	2.71	2.71	0.048
LDNO EHV: LV Site Specific Band 1		0	3.303	0.237	0.025	9.24	2.71	2.71	0.048
LDNO EHV: LV Site Specific Band 2		0	3.303	0.237	0.025	13.53	2.71	2.71	0.048
LDNO EHV: LV Site Specific Band 3		0	3.303	0.237	0.025	19.33	2.71	2.71	0.048
LDNO EHV: LV Site Specific Band 4		0	3.303	0.237	0.025	38.14	2.71	2.71	0.048
LDNO EHV: LV Sub Site Specific No Residual		0	3.415	0.181	0.018	4.92	3.82	3.82	0.043
LDNO EHV: LV Sub Site Specific Band 1		0	3.415	0.181	0.018	13.74	3.82	3.82	0.043
LDNO EHV: LV Sub Site Specific Band 2		0	3.415	0.181	0.018	20.76	3.82	3.82	0.043
LDNO EHV: LV Sub Site Specific Band 3		0	3.415	0.181	0.018	30.25	3.82	3.82	0.043
LDNO EHV: LV Sub Site Specific Band 4		0	3.415	0.181	0.018	61.01	3.82	3.82	0.043
LDNO EHV: HV Site Specific No Residual		0	3.105	0.130	0.012	53.48	4.31	4.31	0.035
LDNO EHV: HV Site Specific Band 1		0	3.105	0.130	0.012	128.02	4.31	4.31	0.035
LDNO EHV: HV Site Specific Band 2		0	3.105	0.130	0.012	225.12	4.31	4.31	0.035
LDNO EHV: HV Site Specific Band 3		0	3.105	0.130	0.012	435.63	4.31	4.31	0.035
LDNO EHV: HV Site Specific Band 4		0	3.105	0.130	0.012	818.07	4.31	4.31	0.035
LDNO EHV: Unmetered Supplies		0, 1 or 8	15.195	0.788	0.342				
LDNO EHV: LV Generation Aggregated		0	-5.283	-0.421	-0.046	0.00			
LDNO EHV: LV Sub Generation Aggregated		0	-5.335	-0.399	-0.043	0.00			
LDNO EHV: LV Generation Site Specific		0	-5.283	-0.421	-0.046	0.00			0.096
LDNO EHV: LV Sub Generation Site Specific		0	-5.335	-0.399	-0.043	0.00			0.081
LDNO EHV: HV Generation Site Specific		0	-6.055	-0.320	-0.032	60.72			0.123

Tariff name	Unique billing identifier	PCs	Red/black unit charge p/kWh	Amber/yellow unit charge p/kWh	Green unit charge p/kWh	Fixed charge p/MPAN/day	Capacity charge p/kVA/day	Exceeded capacity charge p/kVA/day	Reactive power charge p/kVArh
LDNO 132kV/EHV: Domestic Aggregated or CT with Residual		1, 2 or 0	3.867	0.308	0.034	2.14			
LDNO 132kV/EHV: Domestic Aggregated (related MPAN)		2	3.867	0.308	0.034				
LDNO 132kV/EHV: Non-Domestic Aggregated or CT No Residual		3 to 8 or 0	4.113	0.328	0.036	2.96			
LDNO 132kV/EHV: Non-Domestic Aggregated or CT Band 1		3 to 8 or 0	4.113	0.328	0.036	3.06			
LDNO 132kV/EHV: Non-Domestic Aggregated or CT Band 2		3 to 8 or 0	4.113	0.328	0.036	3.38			
LDNO 132kV/EHV: Non-Domestic Aggregated or CT Band 3		3 to 8 or 0	4.113	0.328	0.036	3.82			
LDNO 132kV/EHV: Non-Domestic Aggregated or CT Band 4		3 to 8 or 0	4.113	0.328	0.036	5.05			
LDNO 132kV/EHV: Non-Domestic Aggregated (related MPAN)		4	4.113	0.328	0.036				
LDNO 132kV/EHV: LV Site Specific No Residual		0	2.521	0.181	0.019	2.94	2.07	2.07	0.037
LDNO 132kV/EHV: LV Site Specific Band 1		0	2.521	0.181	0.019	7.05	2.07	2.07	0.037
LDNO 132kV/EHV: LV Site Specific Band 2		0	2.521	0.181	0.019	10.33	2.07	2.07	0.037
LDNO 132kV/EHV: LV Site Specific Band 3		0	2.521	0.181	0.019	14.76	2.07	2.07	0.037
LDNO 132kV/EHV: LV Site Specific Band 4		0	2.521	0.181	0.019	29.11	2.07	2.07	0.037
LDNO 132kV/EHV: LV Sub Site Specific No Residual		0	2.606	0.138	0.014	3.76	2.91	2.91	0.033
LDNO 132kV/EHV: LV Sub Site Specific Band 1		0	2.606	0.138	0.014	10.48	2.91	2.91	0.033
LDNO 132kV/EHV: LV Sub Site Specific Band 2		0	2.606	0.138	0.014	15.85	2.91	2.91	0.033
LDNO 132kV/EHV: LV Sub Site Specific Band 3		0	2.606	0.138	0.014	23.09	2.91	2.91	0.033
LDNO 132kV/EHV: LV Sub Site Specific Band 4		0	2.606	0.138	0.014	46.57	2.91	2.91	0.033
LDNO 132kV/EHV: HV Site Specific No Residual		0	2.370	0.099	0.009	40.82	3.29	3.29	0.027
LDNO 132kV/EHV: HV Site Specific Band 1		0	2.370	0.099	0.009	97.71	3.29	3.29	0.027
LDNO 132kV/EHV: HV Site Specific Band 2		0	2.370	0.099	0.009	171.83	3.29	3.29	0.027
LDNO 132kV/EHV: HV Site Specific Band 3		0	2.370	0.099	0.009	332.50	3.29	3.29	0.027
LDNO 132kV/EHV: HV Site Specific Band 4		0	2.370	0.099	0.009	624.39	3.29	3.29	0.027
LDNO 132kV/EHV: Unmetered Supplies		0, 1 or 8	11.598	0.601	0.261				
LDNO 132kV/EHV: LV Generation Aggregated		0	-4.032	-0.322	-0.035	0.00			
LDNO 132kV/EHV: LV Sub Generation Aggregated		0	-4.072	-0.304	-0.033	0.00			
LDNO 132kV/EHV: LV Generation Site Specific		0	-4.032	-0.322	-0.035	0.00			0.073
LDNO 132kV/EHV: LV Sub Generation Site Specific		0	-4.072	-0.304	-0.033	0.00			0.062

Tariff name	Unique billing identifier	PCs	Red/black unit charge p/kWh	Amber/yellow unit charge p/kWh	Green unit charge p/kWh	Fixed charge p/MPAN/day	Capacity charge p/kVA/day	Exceeded capacity charge p/kVA/day	Reactive power charge p/kVArh
LDNO 132kV/EHV: HV Generation Site Specific		0	-4.622	-0.244	-0.024	46.34			0.094
LDNO 132kV: Domestic Aggregated or CT with Residual		1, 2 or 0	2.687	0.214	0.023	1.48			
LDNO 132kV: Domestic Aggregated (related MPAN)		2	2.687	0.214	0.023				
LDNO 132kV: Non-Domestic Aggregated or CT No Residual		3 to 8 or 0	2.858	0.228	0.025	2.06			
LDNO 132kV: Non-Domestic Aggregated or CT Band 1		3 to 8 or 0	2.858	0.228	0.025	2.13			
LDNO 132kV: Non-Domestic Aggregated or CT Band 2		3 to 8 or 0	2.858	0.228	0.025	2.35			
LDNO 132kV: Non-Domestic Aggregated or CT Band 3		3 to 8 or 0	2.858	0.228	0.025	2.65			
LDNO 132kV: Non-Domestic Aggregated or CT Band 4		3 to 8 or 0	2.858	0.228	0.025	3.51			
LDNO 132kV: Non-Domestic Aggregated (related MPAN)		4	2.858	0.228	0.025				
LDNO 132kV: LV Site Specific No Residual		0	1.751	0.126	0.013	2.04	1.44	1.44	0.026
LDNO 132kV: LV Site Specific Band 1		0	1.751	0.126	0.013	4.90	1.44	1.44	0.026
LDNO 132kV: LV Site Specific Band 2		0	1.751	0.126	0.013	7.18	1.44	1.44	0.026
LDNO 132kV: LV Site Specific Band 3		0	1.751	0.126	0.013	10.25	1.44	1.44	0.026
LDNO 132kV: LV Site Specific Band 4		0	1.751	0.126	0.013	20.23	1.44	1.44	0.026
LDNO 132kV: LV Sub Site Specific No Residual		0	1.811	0.096	0.009	2.61	2.02	2.02	0.023
LDNO 132kV: LV Sub Site Specific Band 1		0	1.811	0.096	0.009	7.29	2.02	2.02	0.023
LDNO 132kV: LV Sub Site Specific Band 2		0	1.811	0.096	0.009	11.01	2.02	2.02	0.023
LDNO 132kV: LV Sub Site Specific Band 3		0	1.811	0.096	0.009	16.04	2.02	2.02	0.023
LDNO 132kV: LV Sub Site Specific Band 4		0	1.811	0.096	0.009	32.36	2.02	2.02	0.023
LDNO 132kV: HV Site Specific No Residual		0	1.647	0.069	0.006	28.36	2.29	2.29	0.019
LDNO 132kV: HV Site Specific Band 1		0	1.647	0.069	0.006	67.89	2.29	2.29	0.019
LDNO 132kV: HV Site Specific Band 2		0	1.647	0.069	0.006	119.39	2.29	2.29	0.019
LDNO 132kV: HV Site Specific Band 3		0	1.647	0.069	0.006	231.03	2.29	2.29	0.019
LDNO 132kV: HV Site Specific Band 4		0	1.647	0.069	0.006	433.85	2.29	2.29	0.019
LDNO 132kV: Unmetered Supplies		0, 1 or 8	8.059	0.418	0.181				
LDNO 132kV: LV Generation Aggregated		0	-2.802	-0.223	-0.024	0.00			
LDNO 132kV: LV Sub Generation Aggregated		0	-2.829	-0.212	-0.023	0.00			
LDNO 132kV: LV Generation Site Specific		0	-2.802	-0.223	-0.024	0.00			0.051
LDNO 132kV: LV Sub Generation Site Specific		0	-2.829	-0.212	-0.023	0.00			0.043
LDNO 132kV: HV Generation Site Specific		0	-3.211	-0.170	-0.017	32.20			0.065
LDNO 0000: Domestic Aggregated or CT with Residual		1, 2 or 0	1.107	0.088	0.010	0.61			
LDNO 0000: Domestic Aggregated (related MPAN)		2	1.107	0.088	0.010				

Tariff name	Unique billing identifier	PCs	Red/black unit charge p/kWh	Amber/yellow unit charge p/kWh	Green unit charge p/kWh	Fixed charge p/MPAN/day	Capacity charge p/kVA/day	Exceeded capacity charge p/kVA/day	Reactive power charge p/kVArh
LDNO 0000: Non-Domestic Aggregated or CT No Residual		3 to 8 or 0	1.178	0.094	0.010	0.85			
LDNO 0000: Non-Domestic Aggregated or CT Band 1		3 to 8 or 0	1.178	0.094	0.010	0.88			
LDNO 0000: Non-Domestic Aggregated or CT Band 2		3 to 8 or 0	1.178	0.094	0.010	0.97			
LDNO 0000: Non-Domestic Aggregated or CT Band 3		3 to 8 or 0	1.178	0.094	0.010	1.09			
LDNO 0000: Non-Domestic Aggregated or CT Band 4		3 to 8 or 0	1.178	0.094	0.010	1.44			
LDNO 0000: Non-Domestic Aggregated (related MPAN)		4	1.178	0.094	0.010				
LDNO 0000: LV Site Specific No Residual		0	0.722	0.052	0.006	0.84	0.59	0.59	0.011
LDNO 0000: LV Site Specific Band 1		0	0.722	0.052	0.006	2.02	0.59	0.59	0.011
LDNO 0000: LV Site Specific Band 2		0	0.722	0.052	0.006	2.96	0.59	0.59	0.011
LDNO 0000: LV Site Specific Band 3		0	0.722	0.052	0.006	4.23	0.59	0.59	0.011
LDNO 0000: LV Site Specific Band 4		0	0.722	0.052	0.006	8.34	0.59	0.59	0.011
LDNO 0000: LV Sub Site Specific No Residual		0	0.746	0.039	0.004	1.08	0.83	0.83	0.009
LDNO 0000: LV Sub Site Specific Band 1		0	0.746	0.039	0.004	3.00	0.83	0.83	0.009
LDNO 0000: LV Sub Site Specific Band 2		0	0.746	0.039	0.004	4.54	0.83	0.83	0.009
LDNO 0000: LV Sub Site Specific Band 3		0	0.746	0.039	0.004	6.61	0.83	0.83	0.009
LDNO 0000: LV Sub Site Specific Band 4		0	0.746	0.039	0.004	13.34	0.83	0.83	0.009
LDNO 0000: HV Site Specific No Residual		0	0.679	0.028	0.003	11.69	0.94	0.94	0.008
LDNO 0000: HV Site Specific Band 1		0	0.679	0.028	0.003	27.98	0.94	0.94	0.008
LDNO 0000: HV Site Specific Band 2		0	0.679	0.028	0.003	49.21	0.94	0.94	0.008
LDNO 0000: HV Site Specific Band 3		0	0.679	0.028	0.003	95.22	0.94	0.94	0.008
LDNO 0000: HV Site Specific Band 4		0	0.679	0.028	0.003	178.80	0.94	0.94	0.008
LDNO 0000: Unmetered Supplies		0, 1 or 8	3.321	0.172	0.075				
LDNO 0000: LV Generation Aggregated		0	-1.155	-0.092	-0.010	0.00			
LDNO 0000: LV Sub Generation Aggregated		0	-1.166	-0.087	-0.009	0.00			
LDNO 0000: LV Generation Site Specific		0	-1.155	-0.092	-0.010	0.00			0.021
LDNO 0000: LV Sub Generation Site Specific		0	-1.166	-0.087	-0.009	0.00			0.018
LDNO 0000: HV Generation Site Specific		0	-1.323	-0.070	-0.007	13.27			0.027

Annex 4 - Charges applied to LDNOs with HV/LV end users in “Northern Powergrid (Yorkshire) Area (GSP Group _M)”

Southern Electric Power Distribution plc - Effective from 1st April 2026 - Final LDNO tariffs in NPG Yorkshire Area (GSP Group _M)

Time Bands for LV and HV Properties			
Time periods	Red Time Band	Amber Time Band	Green Time Band
Monday to Friday (Including Bank Holidays) All Year	16:00 to 19:30	08:00 to 16:00 19:30 to 22:00	00:00 to 08:00 22:00 to 24:00
Saturday and Sunday All Year			00:00 to 24:00
Notes	All the above times are in UK Clock time		

Time Bands for Unmetered Properties			
	Black Time Band	Yellow Time Band	Green Time Band
Monday to Friday (Including Bank Holidays) November to February Inclusive	16:00 to 19:30	08:00 to 16:00 19:30 to 22:00	00:00 to 08:00 22:00 to 24:00
Monday to Friday (Including Bank Holidays) April to October Inclusive and March		08:00 to 22:00	00:00 to 08:00 22:00 to 24:00
Saturday and Sunday All year			00:00 to 24:00
Notes	All the above times are in UK Clock time		

Tariff name	Unique billing identifier	PCs	Red/black unit charge p/kWh	Amber/yellow unit charge p/kWh	Green unit charge p/kWh	Fixed charge p/MPAN/day	Capacity charge p/kVA/day	Exceeded capacity charge p/kVA/day	Reactive power charge p/kVArh
LDNO LV: Domestic Aggregated or CT with Residual		0, 1, 2	4.034	1.081	0.126	10.72			
LDNO LV: Domestic Aggregated (related MPAN)		2	4.034	1.081	0.126				
LDNO LV: Non-Domestic Aggregated or CT No Residual		0, 3, 4, 5-8	4.854	1.301	0.152	7.20			
LDNO LV: Non-Domestic Aggregated or CT Band 1		0, 3, 4, 5-8	4.854	1.301	0.152	10.60			
LDNO LV: Non-Domestic Aggregated or CT Band 2		0, 3, 4, 5-8	4.854	1.301	0.152	15.68			
LDNO LV: Non-Domestic Aggregated or CT Band 3		0, 3, 4, 5-8	4.854	1.301	0.152	24.94			
LDNO LV: Non-Domestic Aggregated or CT Band 4		0, 3, 4, 5-8	4.854	1.301	0.152	56.53			
LDNO LV: Non-Domestic Aggregated (related MPAN)		4	4.854	1.301	0.152				
LDNO LV: LV Site Specific No Residual		0	3.465	0.908	0.102	9.57	2.27	2.27	0.070
LDNO LV: LV Site Specific Band 1		0	3.465	0.908	0.102	92.03	2.27	2.27	0.070
LDNO LV: LV Site Specific Band 2		0	3.465	0.908	0.102	174.57	2.27	2.27	0.070
LDNO LV: LV Site Specific Band 3		0	3.465	0.908	0.102	257.98	2.27	2.27	0.070
LDNO LV: LV Site Specific Band 4		0	3.465	0.908	0.102	526.87	2.27	2.27	0.070

Tariff name	Unique billing identifier	PCs	Red/black unit charge p/kWh	Amber/yellow unit charge p/kWh	Green unit charge p/kWh	Fixed charge p/MPAN/day	Capacity charge p/kVA/day	Exceeded capacity charge p/kVA/day	Reactive power charge p/kVArh
LDNO LV: Unmetered Supplies		0, 1, 8	12.190	1.423	0.529				
LDNO LV: LV Generation Aggregated		0, 8	(4.895)	(1.312)	(0.153)				
LDNO LV: LV Generation Site Specific		0	(4.895)	(1.312)	(0.153)				0.091
LDNO HV: Domestic Aggregated or CT with Residual		0, 1, 2	2.787	0.747	0.087	7.41			
LDNO HV: Domestic Aggregated (Related MPAN)		2	2.787	0.747	0.087				
LDNO HV: Non-Domestic Aggregated or CT No Residual		0, 3, 4, 5-8	3.353	0.899	0.105	4.98			
LDNO HV: Non-Domestic Aggregated or CT Band 1		0, 3, 4, 5-8	3.353	0.899	0.105	7.32			
LDNO HV: Non-Domestic Aggregated or CT Band 2		0, 3, 4, 5-8	3.353	0.899	0.105	10.83			
LDNO HV: Non-Domestic Aggregated or CT Band 3		0, 3, 4, 5-8	3.353	0.899	0.105	17.23			
LDNO HV: Non-Domestic Aggregated or CT Band 4		0, 3, 4, 5-8	3.353	0.899	0.105	39.05			
LDNO HV: Non-Domestic Aggregated (related MPAN)		4	3.353	0.899	0.105				
LDNO HV: LV Site Specific No Residual		0	2.394	0.627	0.070	6.61	1.57	1.57	0.049
LDNO HV: LV Site Specific Band 1		0	2.394	0.627	0.070	63.58	1.57	1.57	0.049
LDNO HV: LV Site Specific Band 2		0	2.394	0.627	0.070	120.60	1.57	1.57	0.049
LDNO HV: LV Site Specific Band 3		0	2.394	0.627	0.070	178.22	1.57	1.57	0.049
LDNO HV: LV Site Specific Band 4		0	2.394	0.627	0.070	363.97	1.57	1.57	0.049
LDNO HV: LV Sub Site Specific No Residual		0	2.578	0.640	0.065	11.18	2.13	2.13	0.047
LDNO HV: LV Sub Site Specific Band 1		0	2.578	0.640	0.065	107.44	2.13	2.13	0.047
LDNO HV: LV Sub Site Specific Band 2		0	2.578	0.640	0.065	203.81	2.13	2.13	0.047
LDNO HV: LV Sub Site Specific Band 3		0	2.578	0.640	0.065	301.18	2.13	2.13	0.047
LDNO HV: LV Sub Site Specific Band 4		0	2.578	0.640	0.065	615.11	2.13	2.13	0.047
LDNO HV: HV Site Specific No Residual		0	2.187	0.512	0.045	366.83	3.29	3.29	0.036
LDNO HV: HV Site Specific Band 1		0	2.187	0.512	0.045	1088.72	3.29	3.29	0.036
LDNO HV: HV Site Specific Band 2		0	2.187	0.512	0.045	2530.20	3.29	3.29	0.036
LDNO HV: HV Site Specific Band 3		0	2.187	0.512	0.045	4790.65	3.29	3.29	0.036
LDNO HV: HV Site Specific Band 4		0	2.187	0.512	0.045	11153.86	3.29	3.29	0.036
LDNO HV: Unmetered Supplies		0, 1, 8	8.421	0.983	0.366				
LDNO HV: LV Generation Aggregated		0, 8	(4.895)	(1.312)	(0.153)				
LDNO HV: LV Sub Generation Aggregated		8	(4.046)	(1.070)	(0.122)				
LDNO HV: LV Generation Site Specific		0	(4.895)	(1.312)	(0.153)				0.091
LDNO HV: LV Sub Generation Site Specific		0	(4.046)	(1.070)	(0.122)				0.083
LDNO HV: HV Generation Site Specific		0	(2.826)	(0.702)	(0.071)				0.073

Tariff name	Unique billing identifier	PCs	Red/black unit charge p/kWh	Amber/yellow unit charge p/kWh	Green unit charge p/kWh	Fixed charge p/MPAN/day	Capacity charge p/kVA/day	Exceeded capacity charge p/kVA/day	Reactive power charge p/kVArh
LDNO HVplus: Domestic Aggregated or CT with Residual		0, 1, 2	1.913	0.513	0.060	5.08			
LDNO HVplus: Domestic Aggregated (related MPAN)		2	1.913	0.513	0.060				
LDNO HVplus: Non-Domestic Aggregated or CT No Residual		0, 3, 4, 5-8	2.302	0.617	0.072	3.42			
LDNO HVplus: Non-Domestic Aggregated or CT Band 1		0, 3, 4, 5-8	2.302	0.617	0.072	5.03			
LDNO HVplus: Non-Domestic Aggregated or CT Band 2		0, 3, 4, 5-8	2.302	0.617	0.072	7.44			
LDNO HVplus: Non-Domestic Aggregated or CT Band 3		0, 3, 4, 5-8	2.302	0.617	0.072	11.83			
LDNO HVplus: Non-Domestic Aggregated or CT Band 4		0, 3, 4, 5-8	2.302	0.617	0.072	26.81			
LDNO HVplus: Non-Domestic Aggregated (related MPAN)		4	2.302	0.617	0.072				
LDNO HVplus: LV Site Specific No Residual		0	1.643	0.431	0.048	4.54	1.08	1.08	0.033
LDNO HVplus: LV Site Specific Band 1		0	1.643	0.431	0.048	43.64	1.08	1.08	0.033
LDNO HVplus: LV Site Specific Band 2		0	1.643	0.431	0.048	82.78	1.08	1.08	0.033
LDNO HVplus: LV Site Specific Band 3		0	1.643	0.431	0.048	122.34	1.08	1.08	0.033
LDNO HVplus: LV Site Specific Band 4		0	1.643	0.431	0.048	249.85	1.08	1.08	0.033
LDNO HVplus: LV Sub Site Specific No Residual		0	1.746	0.434	0.044	7.57	1.44	1.44	0.032
LDNO HVplus: LV Sub Site Specific Band 1		0	1.746	0.434	0.044	72.76	1.44	1.44	0.032
LDNO HVplus: LV Sub Site Specific Band 2		0	1.746	0.434	0.044	138.02	1.44	1.44	0.032
LDNO HVplus: LV Sub Site Specific Band 3		0	1.746	0.434	0.044	203.96	1.44	1.44	0.032
LDNO HVplus: LV Sub Site Specific Band 4		0	1.746	0.434	0.044	416.55	1.44	1.44	0.032
LDNO HVplus: HV Site Specific No Residual		0	1.464	0.343	0.030	245.63	2.20	2.20	0.024
LDNO HVplus: HV Site Specific Band 1		0	1.464	0.343	0.030	729.01	2.20	2.20	0.024
LDNO HVplus: HV Site Specific Band 2		0	1.464	0.343	0.030	1694.24	2.20	2.20	0.024
LDNO HVplus: HV Site Specific Band 3		0	1.464	0.343	0.030	3207.85	2.20	2.20	0.024
LDNO HVplus: HV Site Specific Band 4		0	1.464	0.343	0.030	7468.70	2.20	2.20	0.024
LDNO HVplus: Unmetered Supplies		0, 1, 8	5.781	0.675	0.251				
LDNO HVplus: LV Generation Aggregated		0, 8	(2.301)	(0.617)	(0.072)				
LDNO HVplus: LV Sub Generation Aggregated		8	(2.357)	(0.623)	(0.071)				
LDNO HVplus: LV Generation Site Specific		0	(2.301)	(0.617)	(0.072)				0.043
LDNO HVplus: LV Sub Generation Site Specific		0	(2.357)	(0.623)	(0.071)				0.048
LDNO HVplus: HV Generation Site Specific		0	(2.826)	(0.702)	(0.071)	93.70			0.073
LDNO EHV: Domestic Aggregated or CT with Residual		0, 1, 2	1.325	0.355	0.041	3.52			

Tariff name	Unique billing identifier	PCs	Red/black unit charge p/kWh	Amber/yellow unit charge p/kWh	Green unit charge p/kWh	Fixed charge p/MPAN/day	Capacity charge p/kVA/day	Exceeded capacity charge p/kVA/day	Reactive power charge p/kVArh
LDNO EHV: Domestic Aggregated (related MPAN)		2	1.325	0.355	0.041				
LDNO EHV: Non-Domestic Aggregated or CT No Residual		0, 3, 4, 5-8	1.594	0.427	0.050	2.36			
LDNO EHV: Non-Domestic Aggregated or CT Band 1		0, 3, 4, 5-8	1.594	0.427	0.050	3.48			
LDNO EHV: Non-Domestic Aggregated or CT Band 2		0, 3, 4, 5-8	1.594	0.427	0.050	5.15			
LDNO EHV: Non-Domestic Aggregated or CT Band 3		0, 3, 4, 5-8	1.594	0.427	0.050	8.19			
LDNO EHV: Non-Domestic Aggregated or CT Band 4		0, 3, 4, 5-8	1.594	0.427	0.050	18.56			
LDNO EHV: Non-Domestic Aggregated (related MPAN)		4	1.594	0.427	0.050				
LDNO EHV: LV Site Specific No Residual		0	1.138	0.298	0.034	3.14	0.75	0.75	0.023
LDNO EHV: LV Site Specific Band 1		0	1.138	0.298	0.034	30.22	0.75	0.75	0.023
LDNO EHV: LV Site Specific Band 2		0	1.138	0.298	0.034	57.32	0.75	0.75	0.023
LDNO EHV: LV Site Specific Band 3		0	1.138	0.298	0.034	84.71	0.75	0.75	0.023
LDNO EHV: LV Site Specific Band 4		0	1.138	0.298	0.034	173.00	0.75	0.75	0.023
LDNO EHV: LV Sub Site Specific No Residual		0	1.209	0.300	0.030	5.24	1.00	1.00	0.022
LDNO EHV: LV Sub Site Specific Band 1		0	1.209	0.300	0.030	50.38	1.00	1.00	0.022
LDNO EHV: LV Sub Site Specific Band 2		0	1.209	0.300	0.030	95.57	1.00	1.00	0.022
LDNO EHV: LV Sub Site Specific Band 3		0	1.209	0.300	0.030	141.23	1.00	1.00	0.022
LDNO EHV: LV Sub Site Specific Band 4		0	1.209	0.300	0.030	288.43	1.00	1.00	0.022
LDNO EHV: HV Site Specific No Residual		0	1.014	0.237	0.021	170.08	1.53	1.53	0.017
LDNO EHV: HV Site Specific Band 1		0	1.014	0.237	0.021	504.79	1.53	1.53	0.017
LDNO EHV: HV Site Specific Band 2		0	1.014	0.237	0.021	1173.15	1.53	1.53	0.017
LDNO EHV: HV Site Specific Band 3		0	1.014	0.237	0.021	2221.23	1.53	1.53	0.017
LDNO EHV: HV Site Specific Band 4		0	1.014	0.237	0.021	5171.59	1.53	1.53	0.017
LDNO EHV: Unmetered Supplies		0, 1, 8	4.003	0.467	0.174				
LDNO EHV: LV Generation Aggregated		0, 8	(1.593)	(0.427)	(0.050)				
LDNO EHV: LV Sub Generation Aggregated		8	(1.632)	(0.432)	(0.049)				
LDNO EHV: LV Generation Site Specific		0	(1.593)	(0.427)	(0.050)				0.030
LDNO EHV: LV Sub Generation Site Specific		0	(1.632)	(0.432)	(0.049)				0.033
LDNO EHV: HV Generation Site Specific		0	(1.957)	(0.486)	(0.049)	64.88			0.050
LDNO 132kV/EHV: Domestic Aggregated or CT with Residual		0, 1, 2	0.892	0.239	0.028	2.37			
LDNO 132kV/EHV: Domestic Aggregated (related MPAN)		2	0.892	0.239	0.028				

Tariff name	Unique billing identifier	PCs	Red/black unit charge p/kWh	Amber/yellow unit charge p/kWh	Green unit charge p/kWh	Fixed charge p/MPAN/day	Capacity charge p/kVA/day	Exceeded capacity charge p/kVA/day	Reactive power charge p/kVArh
LDNO 132kV/EHV: Non-Domestic Aggregated or CT No Residual		0, 3, 4, 5-8	1.073	0.288	0.034	1.59			
LDNO 132kV/EHV: Non-Domestic Aggregated or CT Band 1		0, 3, 4, 5-8	1.073	0.288	0.034	2.34			
LDNO 132kV/EHV: Non-Domestic Aggregated or CT Band 2		0, 3, 4, 5-8	1.073	0.288	0.034	3.47			
LDNO 132kV/EHV: Non-Domestic Aggregated or CT Band 3		0, 3, 4, 5-8	1.073	0.288	0.034	5.51			
LDNO 132kV/EHV: Non-Domestic Aggregated or CT Band 4		0, 3, 4, 5-8	1.073	0.288	0.034	12.50			
LDNO 132kV/EHV: Non-Domestic Aggregated (related MPAN)		4	1.073	0.288	0.034				
LDNO 132kV/EHV: LV Site Specific No Residual		0	0.766	0.201	0.023	2.12	0.50	0.50	0.016
LDNO 132kV/EHV: LV Site Specific Band 1		0	0.766	0.201	0.023	20.34	0.50	0.50	0.016
LDNO 132kV/EHV: LV Site Specific Band 2		0	0.766	0.201	0.023	38.59	0.50	0.50	0.016
LDNO 132kV/EHV: LV Site Specific Band 3		0	0.766	0.201	0.023	57.03	0.50	0.50	0.016
LDNO 132kV/EHV: LV Site Specific Band 4		0	0.766	0.201	0.023	116.47	0.50	0.50	0.016
LDNO 132kV/EHV: LV Sub Site Specific No Residual		0	0.814	0.202	0.020	3.53	0.67	0.67	0.015
LDNO 132kV/EHV: LV Sub Site Specific Band 1		0	0.814	0.202	0.020	33.92	0.67	0.67	0.015
LDNO 132kV/EHV: LV Sub Site Specific Band 2		0	0.814	0.202	0.020	64.34	0.67	0.67	0.015
LDNO 132kV/EHV: LV Sub Site Specific Band 3		0	0.814	0.202	0.020	95.08	0.67	0.67	0.015
LDNO 132kV/EHV: LV Sub Site Specific Band 4		0	0.814	0.202	0.020	194.19	0.67	0.67	0.015
LDNO 132kV/EHV: HV Site Specific No Residual		0	0.683	0.160	0.014	114.51	1.03	1.03	0.011
LDNO 132kV/EHV: HV Site Specific Band 1		0	0.683	0.160	0.014	339.85	1.03	1.03	0.011
LDNO 132kV/EHV: HV Site Specific Band 2		0	0.683	0.160	0.014	789.82	1.03	1.03	0.011
LDNO 132kV/EHV: HV Site Specific Band 3		0	0.683	0.160	0.014	1495.44	1.03	1.03	0.011
LDNO 132kV/EHV: HV Site Specific Band 4		0	0.683	0.160	0.014	3481.76	1.03	1.03	0.011
LDNO 132kV/EHV: Unmetered Supplies		0, 1, 8	2.695	0.314	0.117				
LDNO 132kV/EHV: LV Generation Aggregated		0, 8	(1.073)	(0.287)	(0.034)				
LDNO 132kV/EHV: LV Sub Generation Aggregated		8	(1.099)	(0.291)	(0.033)				
LDNO 132kV/EHV: LV Generation Site Specific		0	(1.073)	(0.287)	(0.034)				0.020
LDNO 132kV/EHV: LV Sub Generation Site Specific		0	(1.099)	(0.291)	(0.033)				0.022
LDNO 132kV/EHV: HV Generation Site Specific		0	(1.317)	(0.327)	(0.033)	43.68			0.034
LDNO 132kV: Domestic Aggregated or CT with Residual		0, 1, 2	0.462	0.124	0.014	1.23			
LDNO 132kV: Domestic Aggregated (related MPAN)		2	0.462	0.124	0.014				

Tariff name	Unique billing identifier	PCs	Red/black unit charge p/kWh	Amber/yellow unit charge p/kWh	Green unit charge p/kWh	Fixed charge p/MPAN/day	Capacity charge p/kVA/day	Exceeded capacity charge p/kVA/day	Reactive power charge p/kVArh
LDNO 132kV: Non-Domestic Aggregated or CT No Residual		0, 3, 4, 5-8	0.556	0.149	0.017	0.82			
LDNO 132kV: Non-Domestic Aggregated or CT Band 1		0, 3, 4, 5-8	0.556	0.149	0.017	1.21			
LDNO 132kV: Non-Domestic Aggregated or CT Band 2		0, 3, 4, 5-8	0.556	0.149	0.017	1.80			
LDNO 132kV: Non-Domestic Aggregated or CT Band 3		0, 3, 4, 5-8	0.556	0.149	0.017	2.86			
LDNO 132kV: Non-Domestic Aggregated or CT Band 4		0, 3, 4, 5-8	0.556	0.149	0.017	6.47			
LDNO 132kV: Non-Domestic Aggregated (related MPAN)		4	0.556	0.149	0.017				
LDNO 132kV: LV Site Specific No Residual		0	0.397	0.104	0.012	1.10	0.26	0.26	0.008
LDNO 132kV: LV Site Specific Band 1		0	0.397	0.104	0.012	10.54	0.26	0.26	0.008
LDNO 132kV: LV Site Specific Band 2		0	0.397	0.104	0.012	19.99	0.26	0.26	0.008
LDNO 132kV: LV Site Specific Band 3		0	0.397	0.104	0.012	29.54	0.26	0.26	0.008
LDNO 132kV: LV Site Specific Band 4		0	0.397	0.104	0.012	60.34	0.26	0.26	0.008
LDNO 132kV: LV Sub Site Specific No Residual		0	0.422	0.105	0.011	1.83	0.35	0.35	0.008
LDNO 132kV: LV Sub Site Specific Band 1		0	0.422	0.105	0.011	17.57	0.35	0.35	0.008
LDNO 132kV: LV Sub Site Specific Band 2		0	0.422	0.105	0.011	33.33	0.35	0.35	0.008
LDNO 132kV: LV Sub Site Specific Band 3		0	0.422	0.105	0.011	49.26	0.35	0.35	0.008
LDNO 132kV: LV Sub Site Specific Band 4		0	0.422	0.105	0.011	100.60	0.35	0.35	0.008
LDNO 132kV: HV Site Specific No Residual		0	0.354	0.083	0.007	59.32	0.53	0.53	0.006
LDNO 132kV: HV Site Specific Band 1		0	0.354	0.083	0.007	176.06	0.53	0.53	0.006
LDNO 132kV: HV Site Specific Band 2		0	0.354	0.083	0.007	409.16	0.53	0.53	0.006
LDNO 132kV: HV Site Specific Band 3		0	0.354	0.083	0.007	774.70	0.53	0.53	0.006
LDNO 132kV: HV Site Specific Band 4		0	0.354	0.083	0.007	1803.69	0.53	0.53	0.006
LDNO 132kV: Unmetered Supplies		0, 1, 8	1.396	0.163	0.061				
LDNO 132kV: LV Generation Aggregated		0, 8	(0.556)	(0.149)	(0.017)				
LDNO 132kV: LV Sub Generation Aggregated		8	(0.569)	(0.151)	(0.017)				
LDNO 132kV: LV Generation Site Specific		0	(0.556)	(0.149)	(0.017)				0.010
LDNO 132kV: LV Sub Generation Site Specific		0	(0.569)	(0.151)	(0.017)				0.012
LDNO 132kV: HV Generation Site Specific		0	(0.682)	(0.170)	(0.017)	22.63			0.018
LDNO 0000: Domestic Aggregated or CT with Residual		0, 1, 2	0.189	0.051	0.006	0.50			
LDNO 0000: Domestic Aggregated (related MPAN)		2	0.189	0.051	0.006				
LDNO 0000: Non-Domestic Aggregated or CT No Residual		0, 3, 4, 5-8	0.228	0.061	0.007	0.34			
LDNO 0000: Non-Domestic Aggregated or CT Band 1		0, 3, 4, 5-8	0.228	0.061	0.007	0.50			

Tariff name	Unique billing identifier	PCs	Red/black unit charge p/kWh	Amber/yellow unit charge p/kWh	Green unit charge p/kWh	Fixed charge p/MPAN/day	Capacity charge p/kVA/day	Exceeded capacity charge p/kVA/day	Reactive power charge p/kVArh
LDNO 0000: Non-Domestic Aggregated or CT Band 2		0, 3, 4, 5-8	0.228	0.061	0.007	0.74			
LDNO 0000: Non-Domestic Aggregated or CT Band 3		0, 3, 4, 5-8	0.228	0.061	0.007	1.17			
LDNO 0000: Non-Domestic Aggregated or CT Band 4		0, 3, 4, 5-8	0.228	0.061	0.007	2.65			
LDNO 0000: Non-Domestic Aggregated (related MPAN)		4	0.228	0.061	0.007				
LDNO 0000: LV Site Specific No Residual		0	0.163	0.043	0.005	0.45	0.11	0.11	0.003
LDNO 0000: LV Site Specific Band 1		0	0.163	0.043	0.005	4.32	0.11	0.11	0.003
LDNO 0000: LV Site Specific Band 2		0	0.163	0.043	0.005	8.20	0.11	0.11	0.003
LDNO 0000: LV Site Specific Band 3		0	0.163	0.043	0.005	12.11	0.11	0.11	0.003
LDNO 0000: LV Site Specific Band 4		0	0.163	0.043	0.005	24.73	0.11	0.11	0.003
LDNO 0000: LV Sub Site Specific No Residual		0	0.173	0.043	0.004	0.75	0.14	0.14	0.003
LDNO 0000: LV Sub Site Specific Band 1		0	0.173	0.043	0.004	7.20	0.14	0.14	0.003
LDNO 0000: LV Sub Site Specific Band 2		0	0.173	0.043	0.004	13.66	0.14	0.14	0.003
LDNO 0000: LV Sub Site Specific Band 3		0	0.173	0.043	0.004	20.19	0.14	0.14	0.003
LDNO 0000: LV Sub Site Specific Band 4		0	0.173	0.043	0.004	41.24	0.14	0.14	0.003
LDNO 0000: HV Site Specific No Residual		0	0.145	0.034	0.003	24.32	0.22	0.22	0.002
LDNO 0000: HV Site Specific Band 1		0	0.145	0.034	0.003	72.17	0.22	0.22	0.002
LDNO 0000: HV Site Specific Band 2		0	0.145	0.034	0.003	167.72	0.22	0.22	0.002
LDNO 0000: HV Site Specific Band 3		0	0.145	0.034	0.003	317.56	0.22	0.22	0.002
LDNO 0000: HV Site Specific Band 4		0	0.145	0.034	0.003	739.36	0.22	0.22	0.002
LDNO 0000: Unmetered Supplies		0, 1, 8	0.572	0.067	0.025				
LDNO 0000: LV Generation Aggregated		0, 8	(0.228)	(0.061)	(0.007)				
LDNO 0000: LV Sub Generation Aggregated		8	(0.233)	(0.062)	(0.007)				
LDNO 0000: LV Generation Site Specific		0	(0.228)	(0.061)	(0.007)				0.004
LDNO 0000: LV Sub Generation Site Specific		0	(0.233)	(0.062)	(0.007)				0.005
LDNO 0000: HV Generation Site Specific		0	(0.280)	(0.069)	(0.007)	9.28			0.007

Annex 5 – Schedule of Line Loss Factors in “Eastern Power Networks Area (GSP Group _A)”

LLF time periods:

Southern Electric Power Distribution plc - Illustrative LLFs in UKPN EPN Area (GSP Group _A) for year beginning 1 April 2026					
Time periods	Period 1	Period 2	Period 3	Period 4	Period 5
	Winter Weekday Peak	Summer Weekday Peak	Winter Weekday	Other	Night
Monday to Friday November to February	16:00 – 20:00		07:00 – 16:00		
Monday to Friday June to August		07:00 – 20:00			
Monday to Friday March			07:00 – 20:00		
All Year				All Other Times	00:00 – 07:00
Notes	All times are in UK Clock time				

Generic Demand and Generation LLFs						
Metered Voltage, Respective Periods and Associated LLFCs / DUoS Tariff IDs						
Metered Voltage	Period 1	Period 2	Period 3	Period 4	Period 5	Associated LLFC / DUoS Tariff ID
Low-voltage network						
Low-voltage substation						
High-voltage network						
High-voltage substation						
33kV generic						
132kV generic						

EHV Site Specific LLFs						
Demand						
Site	Period 1	Period 2	Period 3	Period 4	Period 5	Associated LLFC / DUoS Tariff ID

EHV Site Specific LLFs						
Generation						
Site	Period 1	Period 2	Period 3	Period 4	Period 5	Associated LLFC / DUoS Tariff ID

Annex 5 – Schedule of Line Loss Factors in “NGED East Midlands Area (GSP Group _B)”

LLF time periods:

Southern Electric Power Distribution plc - Illustrative LLFs in NGED EM Area (GSP Group _B) for year beginning 1st April 2026				
Time periods	Period 1	Period 2	Period 3	Period 4
	Winter Weekday Peak	Winter Weekday	Other	Night
Monday to Friday Mar to Oct			07:30 – 00:30	00:30 – 07:30
Monday to Friday Nov to Feb	16:00 – 19:00	07:30 – 16:00 19:00 – 20:00	20:00 – 00:30	00:30 – 07:30
Saturday and Sunday All Year			07:30 – 00:30	00:30 – 07:30
Notes	All the above times are in UK Clock time			

Generic Demand and Generation LLFs					
Metered voltage, respective periods and associated LLFCs / DUoS Tariff IDs					
Metered Voltage	Period 1	Period 2	Period 3	Period 4	Associated LLFC / DUoS Tariff ID
Low Voltage Network					
Low Voltage Substation					
High Voltage Network					
High Voltage Substation					
33kV generic					
33kV generic					
132kV generic					
132kV generic					

EHV site specific LLFs					
Demand					
Site	Period 1	Period 2	Period 3	Period 4	Associated LLFC / DUoS Tariff ID

EHV site specific LLFs					
Generation					
Site	Period 1	Period 2	Period 3	Period 4	Associated LLFC / DUoS Tariff ID

Annex 5 – Schedule of Line Loss Factors in “London Power Networks Area (GSP Group _C)”

LLF time periods:

Southern Electric Power Distribution plc - Illustrative LLFs in UKPN LPN Area (GSP Group _C) for year beginning 1st April 2026					
Time periods	Period 1	Period 2	Period 3	Period 4	Period 5
	Winter Weekday Peak	Summer Weekday Peak	Winter Weekday	Other	Night
Monday to Friday November to February	16:00 – 20:00		07:00 – 16:00		
Monday to Friday June to August		07:00 – 20:00			
Monday to Friday March			07:00 – 20:00		
All Year				All Other Times	00:00 – 07:00
Notes	All times are in UK Clock time				

Generic Demand and Generation LLFs						
Metered Voltage, Respective Periods and Associated LLFCs / DUoS Tariff IDs						
Metered voltage	Period 1	Period 2	Period 3	Period 4	Period 5	Associated LLFC / DUoS Tariff ID
Low-voltage network						
Low-voltage substation						
High-voltage network						
High-voltage substation						
33kV generic						
132kV generic						

EHV Site Specific LLFs						
Demand						
Site	Period 1	Period 2	Period 3	Period 4	Period 5	Associated LLFC / DUoS Tariff ID

EHV Site Specific LLFs						
Generation						
Site	Period 1	Period 2	Period 3	Period 4	Period 5	Associated LLFC / DUoS Tariff ID

Annex 5 – Schedule of Line Loss Factors in “SP Manweb Area (GSP Group _D)”

LLF time periods:

Southern Electric Power Distribution plc - Illustrative LLFs in SP Manweb Area (GSP Group _D) for year beginning 1 April 2026				
Time periods	Period 1	Period 2	Period 3	Period 4
	Winter Weekday Peak	Winter Weekday	Other	Night
Monday to Friday March to October			07:30 – 23:30	23:30 – 07:30
Monday to Friday November to February	16:00 – 19:00	07:30 – 16:00 19:00 – 20:00	20:00 – 23:30	23:30 – 07:30
Saturday and Sunday All Year			07:30 – 23:30	23:30 – 07:30
Notes	All the above times are in UK Clock time			

Generic demand and generation LLFs					
Metered voltage, respective periods and associated LLFCs / DUoS Tariff IDs					
Metered voltage	Period 1	Period 2	Period 3	Period 4	Associated LLFC / DUoS Tariff ID
Low Voltage Network					
Low Voltage Substation					
High Voltage Network					
High Voltage Substation					
33kV generic					
33kV generic					
132kV generic					
132kV generic					

EHV site specific LLFs					
Demand					
Site	Period 1	Period 2	Period 3	Period 4	Associated LLFC / DUoS Tariff ID

EHV site specific LLFs					
Generation					
Site	Period 1	Period 2	Period 3	Period 4	Associated LLFC / DUoS Tariff ID

Annex 5 – Schedule of Line Loss Factors in “NGED West Midlands Area (GSP Group _E)”

LLF time periods:

Southern Electric Power Distribution plc - Illustrative LLFs in NGED West Midlands Area (GSP Group _E) for year beginning 1st April 2026				
Time periods	Period 1	Period 2	Period 3	Period 4
	Winter Weekday Peak	Winter Weekday	Other	Night
Monday to Friday Mar to Oct			07:30 – 00:30	00:30 – 07:30
Monday to Friday Nov to Feb	16:00 – 19:00	07:30 – 16:00 19:00 – 20:00	20:00 – 00:30	00:30 – 07:30
Saturday and Sunday All Year			07:30 – 00:30	00:30 – 07:30
Notes	All the above times are in UK Clock time			

Generic Demand and Generation LLFs					
Metered voltage, respective periods and associated LLFCs / DUoS Tariff IDs					
Metered Voltage	Period 1	Period 2	Period 3	Period 4	Associated LLFC / DUoS Tariff ID
Low Voltage Network					
Low Voltage Substation					
High Voltage Network					
High Voltage Substation					
33kV generic					
33kV generic					
132kV generic					
132kV generic					

EHV site specific LLFs					
Demand					
Site	Period 1	Period 2	Period 3	Period 4	Associated LLFC / DUoS Tariff ID

EHV site specific LLFs					
Generation					
Site	Period 1	Period 2	Period 3	Period 4	Associated LLFC / DUoS Tariff ID

Annex 5 – Schedule of Line Loss Factors in “Northern Powergrid (Northeast) Area (GSP Group _F)”

LLF time periods:

Southern Electric Power Distribution plc - Illustrative LLFs in NPG Northeast Area (GSP Group _F) for year beginning 1st April 2026				
Time periods	Period 1	Period 2	Period 3	Period 4
	Winter Weekday Peak	Winter Weekday	Other	Night
Notes	All the above times are in UK Clock time			

Generic demand and generation LLFs					
Metered voltage, respective periods and associated LLFCs / DUoS Tariff IDs					
Metered voltage	Period 1	Period 2	Period 3	Period 4	Associated LLFC / DUoS Tariff ID
Low Voltage Network					
Low Voltage Substation					
High Voltage Network					
High Voltage Substation					
Greater than 22kV connected - generation					
Greater than 22kV connected - demand					

EHV site specific LLFs					
Demand					
Site	Period 1	Period 2	Period 3	Period 4	Associated LLFC / DUoS Tariff ID

EHV site specific LLFs					
Generation					
Site	Period 1	Period 2	Period 3	Period 4	Associated LLFC / DUoS Tariff ID

Annex 5 – Schedule of Line Loss Factors in “Northern Powergrid (Northeast) Area (GSP Group _F)”

LLF time periods:

Southern Electric Power Distribution plc - Illustrative LLFs in NPG Northeast Area (GSP Group _F) for year beginning 1st April 2026				
Time periods	Period 1	Period 2	Period 3	Period 4
	Winter Weekday Peak	Winter Weekday	Other	Night
Notes	All the above times are in UK Clock time			

Generic demand and generation LLFs					
Metered voltage, respective periods and associated LLFCs / DUoS Tariff IDs					
Metered voltage	Period 1	Period 2	Period 3	Period 4	Associated LLFC / DUoS Tariff ID
Low Voltage Network					
High Voltage Network					

EHV site specific LLFs					
Demand					
Site	Period 1	Period 2	Period 3	Period 4	Associated LLFC / DUoS Tariff ID

EHV site specific LLFs					
Generation					
Site	Period 1	Period 2	Period 3	Period 4	Associated LLFC / DUoS Tariff ID

Annex 5 – Schedule of Line Loss Factors in “Electricity North West Area (GSP Group _G)”

LLF time periods:

Southern Electric Power Distribution plc - Illustrative LLFs in Electricity North West Area (GSP Group _G) for year beginning 1st April 2026				
Time periods	Period 1	Period 2	Period 3	Period 4
	Winter Weekday Peak	Winter Weekday	Other	Night
Notes	All the above times are in UK Clock time			

Generic demand and generation LLFs					
Metered voltage, respective periods and associated LLFCs / DUoS Tariff IDs					
Metered voltage	Period 1	Period 2	Period 3	Period 4	Associated LLFC / DUoS Tariff ID
Low-voltage network					
Low-voltage substation					
High-voltage network					
High-voltage substation					
33kV generic					
33kV generic					
132kV generic					
132kV generic					

EHV site specific LLFs					
Demand					
Site	Period 1	Period 2	Period 3	Period 4	Associated LLFC / DUoS Tariff ID

EHV site specific LLFs					
Generation					
Site	Period 1	Period 2	Period 3	Period 4	Associated LLFC / DUoS Tariff ID

Annex 5 – Schedule of Line Loss Factors in “South Eastern Power Networks Area (GSP Group _J)”

LLF time periods:

Southern Electric Power Distribution plc - Illustrative LLFs in UKPN SPN Area (GSP Group _J) for year beginning 1st April 2026					
Time periods	Period 1	Period 2	Period 3	Period 4	Period 5
	Winter Weekday Peak	Summer Weekday Peak	Winter Weekday	Other	Night
Monday to Friday November to February	16:00 – 20:00		07:00 – 16:00		
Monday to Friday June to August		07:00 – 20:00			
Monday to Friday March			07:00 – 20:00		
All Year				All Other Times	00:00 – 07:00
Notes	All times are in UK Clock time				

Generic Demand and Generation LLFs						
Metered voltage, respective periods and associated LLFCs / DUoS Tariff IDs						
Metered voltage	Period 1	Period 2	Period 3	Period 4	Period 5	Associated LLFC / DUoS Tariff ID
Low-voltage network						
Low-voltage substation						
High-voltage network						
High-voltage substation						
33kV generic						
132kV generic						

EHV Site Specific LLFs						
Demand						
Site	Period 1	Period 2	Period 3	Period 4	Period 5	Associated LLFC / DUoS Tariff ID

EHV Site Specific LLFs						
Generation						
Site	Period 1	Period 2	Period 3	Period 4	Period 5	Associated LLFC / DUoS Tariff ID

Annex 5 – Schedule of Line Loss Factors in “NGED South Wales Area (GSP Group _K)”

LLF time periods:

Southern Electric Power Distribution plc - Illustrative LLFs in NGED South Wales Area (GSP Group _K) for year beginning 1st April 2026				
Time periods	Period 1	Period 2	Period 3	Period 4
	Winter Weekday Peak	Winter Weekday	Other	Night
Monday to Friday Mar to Oct			00:00 - 00:30 07:30 - 24:00	00:30 - 07:30
Monday to Friday Nov to Feb	16:00 – 19:00	07:30 – 16:00	00:00 - 00:30 19:00 - 24:00	00:30 - 07:30
Saturday and Sunday All Year			00:00 - 00:30 07:30 - 24:00	00:30 - 07:30
Notes	All the above times are in UK Clock time			

Generic demand and generation LLFs					
Metered voltage, respective periods and associated LLFCs / DUoS Tariff IDs					
Metered voltage	Period 1	Period 2	Period 3	Period 4	Associated LLFC / DUoS Tariff ID
Low Voltage Network					
Low Voltage Substation					
High Voltage Network					
High Voltage Substation					
33kV generic					
33kV generic					
132kV generic					
132kV generic					

EHV site specific LLFs					
Demand					
Site	Period 1	Period 2	Period 3	Period 4	Associated LLFC / DUoS Tariff ID

EHV site specific LLFs					
Generation					
Site	Period 1	Period 2	Period 3	Period 4	Associated LLFC / DUoS Tariff ID

Annex 5 – Schedule of Line Loss Factors in “NGED South West Area (GSP Group _L)”

LLF time periods:

Southern Electric Power Distribution plc - Illustrative LLFs in NGED South West Area (GSP Group _L) for year beginning 1st April 2026				
Time periods	Period 1	Period 2	Period 3	Period 4
	Winter Weekday Peak	Winter Weekday	Other	Night
Monday to Friday Mar to Oct			06:30 - 23:30	00:00 - 06:30 23:30 - 24:00
Monday to Friday Nov to Feb	16:00 - 19:00	06:30 - 16:00	19:00 - 23:30	00:00 - 06:30 23:30 - 24:00
Saturday and Sunday All Year			06:30 - 23:30	00:00 - 06:30 23:30 - 24:00
Notes	All the above times are in UK Clock time			

Generic demand and generation LLFs					
Metered voltage, respective periods and associated LLFCs / DUoS Tariff IDs					
Metered voltage	Period 1	Period 2	Period 3	Period 4	Associated LLFC / DUoS Tariff ID
Low Voltage Network					
Low Voltage Substation					
High Voltage Network					
High Voltage Substation					
33kV generic					
33kV generic					
132kV generic					
132kV generic					

EHV site specific LLFs					
Demand					
Site	Period 1	Period 2	Period 3	Period 4	Associated LLFC / DUoS Tariff ID

EHV site specific LLFs					
Generation					
Site	Period 1	Period 2	Period 3	Period 4	Associated LLFC / DUoS Tariff ID

Annex 5 – Schedule of Line Loss Factors in “Northern Powergrid (Yorkshire) Area (GSP Group _M)”

LLF time periods:

Southern Electric Power Distribution plc - Illustrative LLFs in NPG Yorkshire Area (GSP Group _M) for year beginning 1st April 2026				
Time periods	Period 1	Period 2	Period 3	Period 4
	Winter Weekday Peak	Winter Weekday	Other	Night
Notes	All the above times are in UK Clock time			

Generic demand and generation LLFs					
Metered voltage, respective periods and associated LLFCs / DUoS Tariff IDs					
Metered voltage	Period 1	Period 2	Period 3	Period 4	Associated LLFC / DUoS Tariff ID
Low Voltage Network					
Low Voltage Substation					
High Voltage Network					
High Voltage Substation					
Greater than 22kV connected - generation					
Greater than 22kV connected - demand					

EHV site specific LLFs					
Demand					
Site	Period 1	Period 2	Period 3	Period 4	Associated LLFC / DUoS Tariff ID

EHV site specific LLFs					
Generation					
Site	Period 1	Period 2	Period 3	Period 4	Associated LLFC / DUoS Tariff ID

Annex 6 – Charges for New or Amended EHV Properties in “Eastern Power Networks Area (GSP Group _A)”

Southern Electric Power Distribution plc - Effective from 1 April 2026 - Final new or amended EHV charges in UKPN EPN Area (GSP Group _A)														
Effective from date	Import LLFC / DUoS Tariff ID	Import MPANs/MSIDs	Export LLFC / DUoS Tariff ID	Export MPANs/MSIDs	Name	Residual Charging Band	Import Super Red unit charge (p/kWh)	Import fixed charge (p/day)	Import capacity charge (p/kVA/day)	Import exceeded capacity charge (p/kVA/day)	Export Super Red unit charge (p/kWh)	Export fixed charge (p/day)	Export capacity charge (p/kVA/day)	Export exceeded capacity charge (p/kVA/day)

Southern Electric Power Distribution plc - Effective from 1 April 2026 - Final new or amended EHV line loss factors in UKPN EPN Area (GSP Group _A)																
Effective from date	Import LLFC / DUoS Tariff ID	Import MPANs/MSIDs	Export LLFC / DUoS Tariff ID	Export MPANs/MSIDs	Name	Residual Charging Band	Import LLF period 1	Import LLF period 2	Import LLF period 3	Import LLF period 4	Import LLF period 5	Export LLF period 1	Export LLF period 2	Export LLF period 3	Export LLF period 4	Export LLF period 5

Annex 6 – Charges for New or Amended EHV Properties in “NGED East Midlands Area (GSP Group _B)”

Southern Electric Power Distribution plc - Effective from 1 April 2026 - Final new or amended EHV charges in NGED EM Area (GSP Group _B)														
Effective from date	Import LLFC / DUoS Tariff ID	Import MPANs/MSIDs	Export LLFC / DUoS Tariff ID	Export MPANs/MSIDs	Name	Residual Charging Band	Import Super Red unit charge (p/kWh)	Import fixed charge (p/day)	Import capacity charge (p/kVA/day)	Import exceeded capacity charge (p/kVA/day)	Export Super Red unit charge (p/kWh)	Export fixed charge (p/day)	Export capacity charge (p/kVA/day)	Export exceeded capacity charge (p/kVA/day)

Southern Electric Power Distribution plc - Effective from 1 April 2026 - Final new or amended EHV line loss factors in NGED EM Area (GSP Group _B)														
Effective from date	Import LLFC / DUoS Tariff ID	Import MPANs/MSIDs	Export LLFC / DUoS Tariff ID	Export MPANs/MSIDs	Name	Residual Charging Band	Import LLF period 1	Import LLF period 2	Import LLF period 3	Import LLF period 4	Export LLF period 1	Export LLF period 2	Export LLF period 3	Export LLF period 4

Annex 6 – Charges for New or Amended EHV Properties in “London Power Networks Area (GSP Group _C)”

Southern Electric Power Distribution plc - Effective from 1 April 2026 - Final new or amended EHV charges in UKPN LPN Area (GSP Group _C)														
Effective from date	Import LLFC / DUoS Tariff ID	Import MPANs/MSIDs	Export LLFC / DUoS Tariff ID	Export MPANs/MSIDs	Name	Residual Charging Band	Import Super Red unit charge (p/kWh)	Import fixed charge (p/day)	Import capacity charge (p/kVA/day)	Import exceeded capacity charge (p/kVA/day)	Export Super Red unit charge (p/kWh)	Export fixed charge (p/day)	Export capacity charge (p/kVA/day)	Export exceeded capacity charge (p/kVA/day)

Southern Electric Power Distribution plc - Effective from 1 April 2026 - Final new or amended EHV line loss factors in UKPN LPN Area (GSP Group _C)																
Effective from date	Import LLFC / DUoS Tariff ID	Import MPANs/MSIDs	Export LLFC / DUoS Tariff ID	Export MPANs/MSIDs	Name	Residual Charging Band	Import LLF period 1	Import LLF period 2	Import LLF period 3	Import LLF period 4	Import LLF period 5	Export LLF period 1	Export LLF period 2	Export LLF period 3	Export LLF period 4	Export LLF period 5

Annex 6 – Charges for New or Amended EHV Properties in “SP Manweb Area (GSP Group _D)”

Southern Electric Power Distribution plc - Effective from 1 April 2026 - Final new or amended EHV charges in SP Manweb Area (GSP Group _D)														
Effective from date	Import LLFC / DUoS Tariff ID	Import MPANs/MSIDs	Export LLFC / DUoS Tariff ID	Export MPANs/MSIDs	Name	Residual Charging Band	Import Super Red unit charge (p/kWh)	Import fixed charge (p/day)	Import capacity charge (p/kVA/day)	Import exceeded capacity charge (p/kVA/day)	Export Super Red unit charge (p/kWh)	Export fixed charge (p/day)	Export capacity charge (p/kVA/day)	Export exceeded capacity charge (p/kVA/day)

Southern Electric Power Distribution plc - Effective from 1 April 2026 - Final new or amended EHV line loss factors in SP Manweb Area (GSP Group _D)														
Effective from date	Import LLFC / DUoS Tariff ID	Import MPANs/MSIDs	Export LLFC / DUoS Tariff ID	Export MPANs/MSIDs	Name	Residual Charging Band	Import LLF period 1	Import LLF period 2	Import LLF period 3	Import LLF period 4	Export LLF period 1	Export LLF period 2	Export LLF period 3	Export LLF period 4

Annex 6 – Charges for New or Amended EHV Properties in “NGED West Midlands Area (GSP Group _E)”

Southern Electric Power Distribution plc - Effective from 1 April 2026 - Final new or amended EHV charges in NGED West Midlands Area (GSP Group _E)														
Effective from date	Import LLFC / DUoS Tariff ID	Import MPANs/MSIDs	Export LLFC / DUoS Tariff ID	Export MPANs/MSIDs	Name	Residual Charging Band	Import Super Red unit charge (p/kWh)	Import fixed charge (p/day)	Import capacity charge (p/kVA/day)	Import exceeded capacity charge (p/kVA/day)	Export Super Red unit charge (p/kWh)	Export fixed charge (p/day)	Export capacity charge (p/kVA/day)	Export exceeded capacity charge (p/kVA/day)

Southern Electric Power Distribution plc - Effective from 1 April 2026 - Final new or amended EHV line loss factors in NGED West Midlands Area (GSP Group _E)														
Effective from date	Import LLFC / DUoS Tariff ID	Import MPANs/MSIDs	Export LLFC / DUoS Tariff ID	Export MPANs/MSIDs	Name	Residual Charging Band	Import LLF period 1	Import LLF period 2	Import LLF period 3	Import LLF period 4	Export LLF period 1	Export LLF period 2	Export LLF period 3	Export LLF period 4

Annex 6 – Charges for New or Amended EHV Properties in “Northern Powergrid (Northeast) Area (GSP Group _F)”

Southern Electric Power Distribution plc - Effective from 1 April 2026 - Final new or amended EHV charges in NPG Northeast Area (GSP Group _F)														
Effective from date	Import LLFC / DUoS Tariff ID	Import MPANs/MSIDs	Export LLFC / DUoS Tariff ID	Export MPANs/MSIDs	Name	Residual Charging Band	Import Super Red unit charge (p/kWh)	Import fixed charge (p/day)	Import capacity charge (p/kVA/day)	Import exceeded capacity charge (p/kVA/day)	Export Super Red unit charge (p/kWh)	Export fixed charge (p/day)	Export capacity charge (p/kVA/day)	Export exceeded capacity charge (p/kVA/day)

Southern Electric Power Distribution plc - Effective from 1 April 2026 - Final new or amended EHV line loss factors in NPG Northeast Area (GSP Group _F)														
Effective from date	Import LLFC / DUoS Tariff ID	Import MPANs/MSIDs	Export LLFC / DUoS Tariff ID	Export MPANs/MSIDs	Name	Residual Charging Band	Import LLF period 1	Import LLF period 2	Import LLF period 3	Import LLF period 4	Export LLF period 1	Export LLF period 2	Export LLF period 3	Export LLF period 4

Annex 6 – Charges for New or Amended EHV Properties in “Electricity North West Area (GSP Group _G)”

Southern Electric Power Distribution plc - Effective from 1 April 2026 - Final new or amended EHV charges in Electricity North West Area (GSP Group _G)														
Effective from date	Import LLFC / DUoS Tariff ID	Import MPANs/MSIDs	Export LLFC / DUoS Tariff ID	Export MPANs/MSIDs	Name	Residual Charging Band	Import Super Red unit charge (p/kWh)	Import fixed charge (p/day)	Import capacity charge (p/kVA/day)	Import exceeded capacity charge (p/kVA/day)	Export Super Red unit charge (p/kWh)	Export fixed charge (p/day)	Export capacity charge (p/kVA/day)	Export exceeded capacity charge (p/kVA/day)

Southern Electric Power Distribution plc - Effective from 1 April 2026 - Final new or amended EHV line loss factors in Electricity North West Area (GSP Group _G)														
Effective from date	Import LLFC / DUoS Tariff ID	Import MPANs/MSIDs	Export LLFC / DUoS Tariff ID	Export MPANs/MSIDs	Name	Residual Charging Band	Import LLF period 1	Import LLF period 2	Import LLF period 3	Import LLF period 4	Export LLF period 1	Export LLF period 2	Export LLF period 3	Export LLF period 4

Annex 6 – Charges for New or Amended EHV Properties in “South Eastern Power Networks Area (GSP Group _J)”

Southern Electric Power Distribution plc - Effective from 1 April 2026 - Final new or amended EHV charges in UKPN SPN Area (GSP Group _J)														
Effective from date	Import LLFC / DUoS Tariff ID	Import MPANs/MSIDs	Export LLFC / DUoS Tariff ID	Export MPANs/MSIDs	Name	Residual Charging Band	Import Super Red unit charge (p/kWh)	Import fixed charge (p/day)	Import capacity charge (p/kVA/day)	Import exceeded capacity charge (p/kVA/day)	Export Super Red unit charge (p/kWh)	Export fixed charge (p/day)	Export capacity charge (p/kVA/day)	Export exceeded capacity charge (p/kVA/day)

Southern Electric Power Distribution plc - Effective from 1 April 2026 - Final new or amended EHV line loss factors in UKPN SPN Area (GSP Group _J)																
Effective from date	Import LLFC / DUoS Tariff ID	Import MPANs/MSIDs	Export LLFC / DUoS Tariff ID	Export MPANs/MSIDs	Name	Residual Charging Band	Import LLF period 1	Import LLF period 2	Import LLF period 3	Import LLF period 4	Import LLF period 5	Export LLF period 1	Export LLF period 2	Export LLF period 3	Export LLF period 4	Export LLF period 5

Annex 6 – Charges for New or Amended EHV Properties in “NGED South Wales Area (GSP Group _K)”

Southern Electric Power Distribution plc - Effective from 1 April 2026 - Final new or amended EHV charges in NGED South Wales Area (GSP Group _K)														
Effective from date	Import LLFC / DUoS Tariff ID	Import MPANs/MSIDs	Export LLFC / DUoS Tariff ID	Export MPANs/MSIDs	Name	Residual Charging Band	Import Super Red unit charge (p/kWh)	Import fixed charge (p/day)	Import capacity charge (p/kVA/day)	Import exceeded capacity charge (p/kVA/day)	Export Super Red unit charge (p/kWh)	Export fixed charge (p/day)	Export capacity charge (p/kVA/day)	Export exceeded capacity charge (p/kVA/day)

Southern Electric Power Distribution plc - Effective from 1 April 2026 - Final new or amended EHV line loss factors in NGED South Wales Area (GSP Group _K)														
Effective from date	Import LLFC / DUoS Tariff ID	Import MPANs/MSIDs	Export LLFC / DUoS Tariff ID	Export MPANs/MSIDs	Name	Residual Charging Band	Import LLF period 1	Import LLF period 2	Import LLF period 3	Import LLF period 4	Export LLF period 1	Export LLF period 2	Export LLF period 3	Export LLF period 4

Annex 6 – Charges for New or Amended EHV Properties in “NGED South West Area (GSP Group _L)”

Southern Electric Power Distribution plc - Effective from 1 April 2026 - Final new or amended EHV charges in NGED South West Area (GSP Group _L)														
Effective from date	Import LLFC / DUoS Tariff ID	Import MPANs/MSIDs	Export LLFC / DUoS Tariff ID	Export MPANs/MSIDs	Name	Residual Charging Band	Import Super Red unit charge (p/kWh)	Import fixed charge (p/day)	Import capacity charge (p/kVA/day)	Import exceeded capacity charge (p/kVA/day)	Export Super Red unit charge (p/kWh)	Export fixed charge (p/day)	Export capacity charge (p/kVA/day)	Export exceeded capacity charge (p/kVA/day)

Southern Electric Power Distribution plc - Effective from 1 April 2026 - Final new or amended EHV line loss factors in NGED South West Area (GSP Group _L)														
Effective from date	Import LLFC / DUoS Tariff ID	Import MPANs/MSIDs	Export LLFC / DUoS Tariff ID	Export MPANs/MSIDs	Name	Residual Charging Band	Import LLF period 1	Import LLF period 2	Import LLF period 3	Import LLF period 4	Export LLF period 1	Export LLF period 2	Export LLF period 3	Export LLF period 4

Annex 6 – Charges for New or Amended EHV Properties in “Northern Powergrid (Yorkshire) Area (GSP Group _M)”

Southern Electric Power Distribution plc - Effective from 1 April 2026 - Final new or amended EHV charges in NPG Yorkshire Area (GSP Group _M)														
Effective from date	Import LLFC / DUoS Tariff ID	Import MPANs/MSIDs	Export LLFC / DUoS Tariff ID	Export MPANs/MSIDs	Name	Residual Charging Band	Import Super Red unit charge (p/kWh)	Import fixed charge (p/day)	Import capacity charge (p/kVA/day)	Import exceeded capacity charge (p/kVA/day)	Export Super Red unit charge (p/kWh)	Export fixed charge (p/day)	Export capacity charge (p/kVA/day)	Export exceeded capacity charge (p/kVA/day)

Southern Electric Power Distribution plc - Effective from 1 April 2026 - Final new or amended EHV line loss factors in NPG Yorkshire Area (GSP Group _M)														
Effective from date	Import LLFC / DUoS Tariff ID	Import MPANs/MSIDs	Export LLFC / DUoS Tariff ID	Export MPANs/MSIDs	Name	Residual Charging Band	Import LLF period 1	Import LLF period 2	Import LLF period 3	Import LLF period 4	Export LLF period 1	Export LLF period 2	Export LLF period 3	Export LLF period 4

Annex 7 – Supplier of last Resort and Eligible Bad Debt Pass-Through Costs in “Eastern Power Networks Area (GSP Group _A)”

Southern Electric Power Distribution plc - Effective from 1 April 2026 - Final Supplier of Last Resort and Eligible Bad Debt Pass-Through Costs in UKPN EPN Area (GSP Group _A)

Tariff name	Open LLFCs / DUoS Tariff IDs / LDNO unique billing identifier	PCs	Supplier of Last Resort Fixed charge adder* p/MPAN/day	Eligible Bad Debt Fixed charge adder** p/MPAN/day
Domestic Aggregated or CT with Residual	167, 201-202, 258, 269, 301-302, 495, AA0	0, 1, 2	0.00	0.00
Non-Domestic Aggregated or CT No Residual	A10, A15, A20, A30, A35, A40, A45, A65, A70, A75, A85, A90, R75, AA1	0, 3, 4, 5-8		0.00
Non-Domestic Aggregated or CT Band 1	A11, A16, A21, A31, A36, A41, A46, A66, A71, A76, A86, A91, R76, AA2	0, 3, 4, 5-8		0.00
Non-Domestic Aggregated or CT Band 2	A12, A17, A22, A32, A37, A42, A47, A67, A72, A77, A87, A92, R77, AA3	0, 3, 4, 5-8		0.00
Non-Domestic Aggregated or CT Band 3	A13, A18, A23, A33, A38, A43, A48, A68, A73, A78, A88, A93, R78, AA4	0, 3, 4, 5-8		0.00
Non-Domestic Aggregated or CT Band 4	A14, A19, A24, A34, A39, A44, A49, A69, A74, A79, A89, A94, R79, AA5	0, 3, 4, 5-8		0.00
LV Site Specific No Residual	A05, A50, A60	0		0.00
LV Site Specific Band 1	A06, A51, A61	0		0.00
LV Site Specific Band 2	A07, A52, A62	0		0.00
LV Site Specific Band 3	A08, A53, A63	0		0.00
LV Site Specific Band 4	A09, A54, A64	0		0.00
LV Sub Site Specific No Residual	A95	0		0.00
LV Sub Site Specific Band 1	A96	0		0.00
LV Sub Site Specific Band 2	A97	0		0.00
LV Sub Site Specific Band 3	A98	0		0.00
LV Sub Site Specific Band 4	A99	0		0.00
HV Site Specific No Residual	A25, A55, A80	0		0.00
HV Site Specific Band 1	A26, A56, A81	0		0.00
HV Site Specific Band 2	A27, A57, A82	0		0.00
HV Site Specific Band 3	A28, A58, A83	0		0.00

Tariff name	Open LLCs / DUoS Tariff IDs / LDNO unique billing identifier	PCs	Supplier of Last Resort Fixed charge adder* p/MPAN/day	Eligible Bad Debt Fixed charge adder** p/MPAN/day
HV Site Specific Band 4	A29, A59, A84	0		0.00
LDNO LV: Domestic Aggregated or CT with Residual		0, 1, 2	0.00	0.00
LDNO LV: Non-Domestic Aggregated or CT No Residual		0, 3, 4, 5-8		0.00
LDNO LV: Non-Domestic Aggregated or CT Band 1		0, 3, 4, 5-8		0.00
LDNO LV: Non-Domestic Aggregated or CT Band 2		0, 3, 4, 5-8		0.00
LDNO LV: Non-Domestic Aggregated or CT Band 3		0, 3, 4, 5-8		0.00
LDNO LV: Non-Domestic Aggregated or CT Band 4		0, 3, 4, 5-8		0.00
LDNO LV: LV Site Specific No Residual		0		0.00
LDNO LV: LV Site Specific Band 1		0		0.00
LDNO LV: LV Site Specific Band 2		0		0.00
LDNO LV: LV Site Specific Band 3		0		0.00
LDNO LV: LV Site Specific Band 4		0		0.00
LDNO HV: Domestic Aggregated or CT with Residual		0, 1, 2	0.00	0.00
LDNO HV: Non-Domestic Aggregated or CT No Residual		0, 3, 4, 5-8		0.00
LDNO HV: Non-Domestic Aggregated or CT Band 1		0, 3, 4, 5-8		0.00
LDNO HV: Non-Domestic Aggregated or CT Band 2		0, 3, 4, 5-8		0.00
LDNO HV: Non-Domestic Aggregated or CT Band 3		0, 3, 4, 5-8		0.00
LDNO HV: Non-Domestic Aggregated or CT Band 4		0, 3, 4, 5-8		0.00
LDNO HV: LV Site Specific No Residual		0		0.00
LDNO HV: LV Site Specific Band 1		0		0.00
LDNO HV: LV Site Specific Band 2		0		0.00
LDNO HV: LV Site Specific Band 3		0		0.00
LDNO HV: LV Site Specific Band 4		0		0.00
LDNO HV: LV Sub Site Specific No Residual		0		0.00
LDNO HV: LV Sub Site Specific Band 1		0		0.00
LDNO HV: LV Sub Site Specific Band 2		0		0.00
LDNO HV: LV Sub Site Specific Band 3		0		0.00

Tariff name	Open LLFCs / DUoS Tariff IDs / LDNO unique billing identifier	PCs	Supplier of Last Resort Fixed charge adder* p/MPAN/day	Eligible Bad Debt Fixed charge adder** p/MPAN/day
LDNO HV: LV Sub Site Specific Band 4		0		0.00
LDNO HV: HV Site Specific No Residual		0		0.00
LDNO HV: HV Site Specific Band 1		0		0.00
LDNO HV: HV Site Specific Band 2		0		0.00
LDNO HV: HV Site Specific Band 3		0		0.00
LDNO HV: HV Site Specific Band 4		0		0.00
LDNO HVplus: Domestic Aggregated or CT with Residual		0, 1, 2	0.00	0.00
LDNO HVplus: Non-Domestic Aggregated or CT No Residual		0, 3, 4, 5-8		0.00
LDNO HVplus: Non-Domestic Aggregated or CT Band 1		0, 3, 4, 5-8		0.00
LDNO HVplus: Non-Domestic Aggregated or CT Band 2		0, 3, 4, 5-8		0.00
LDNO HVplus: Non-Domestic Aggregated or CT Band 3		0, 3, 4, 5-8		0.00
LDNO HVplus: Non-Domestic Aggregated or CT Band 4		0, 3, 4, 5-8		0.00
LDNO HVplus: LV Site Specific No Residual		0		0.00
LDNO HVplus: LV Site Specific Band 1		0		0.00
LDNO HVplus: LV Site Specific Band 2		0		0.00
LDNO HVplus: LV Site Specific Band 3		0		0.00
LDNO HVplus: LV Site Specific Band 4		0		0.00
LDNO HVplus: LV Sub Site Specific No Residual		0		0.00
LDNO HVplus: LV Sub Site Specific Band 1		0		0.00
LDNO HVplus: LV Sub Site Specific Band 2		0		0.00
LDNO HVplus: LV Sub Site Specific Band 3		0		0.00
LDNO HVplus: LV Sub Site Specific Band 4		0		0.00
LDNO HVplus: HV Site Specific No Residual		0		0.00
LDNO HVplus: HV Site Specific Band 1		0		0.00
LDNO HVplus: HV Site Specific Band 2		0		0.00
LDNO HVplus: HV Site Specific Band 3		0		0.00
LDNO HVplus: HV Site Specific Band 4		0		0.00
LDNO EHV: Domestic Aggregated or CT with Residual		0, 1, 2	0.00	0.00
LDNO EHV: Non-Domestic Aggregated or CT No Residual		0, 3, 4, 5-8		0.00

Tariff name	Open LLCs / DUoS Tariff IDs / LDNO unique billing identifier	PCs	Supplier of Last Resort Fixed charge adder* p/MPAN/day	Eligible Bad Debt Fixed charge adder** p/MPAN/day
LDNO EHV: Non-Domestic Aggregated or CT Band 1		0, 3, 4, 5-8		0.00
LDNO EHV: Non-Domestic Aggregated or CT Band 2		0, 3, 4, 5-8		0.00
LDNO EHV: Non-Domestic Aggregated or CT Band 3		0, 3, 4, 5-8		0.00
LDNO EHV: Non-Domestic Aggregated or CT Band 4		0, 3, 4, 5-8		0.00
LDNO EHV: LV Site Specific No Residual		0		0.00
LDNO EHV: LV Site Specific Band 1		0		0.00
LDNO EHV: LV Site Specific Band 2		0		0.00
LDNO EHV: LV Site Specific Band 3		0		0.00
LDNO EHV: LV Site Specific Band 4		0		0.00
LDNO EHV: LV Sub Site Specific No Residual		0		0.00
LDNO EHV: LV Sub Site Specific Band 1		0		0.00
LDNO EHV: LV Sub Site Specific Band 2		0		0.00
LDNO EHV: LV Sub Site Specific Band 3		0		0.00
LDNO EHV: LV Sub Site Specific Band 4		0		0.00
LDNO EHV: HV Site Specific No Residual		0		0.00
LDNO EHV: HV Site Specific Band 1		0		0.00
LDNO EHV: HV Site Specific Band 2		0		0.00
LDNO EHV: HV Site Specific Band 3		0		0.00
LDNO EHV: HV Site Specific Band 4		0		0.00
LDNO 132kV/EHV: Domestic Aggregated or CT with Residual		0, 1, 2	0.00	0.00
LDNO 132kV/EHV: Non-Domestic Aggregated or CT No Residual		0, 3, 4, 5-8		0.00
LDNO 132kV/EHV: Non-Domestic Aggregated or CT Band 1		0, 3, 4, 5-8		0.00
LDNO 132kV/EHV: Non-Domestic Aggregated or CT Band 2		0, 3, 4, 5-8		0.00
LDNO 132kV/EHV: Non-Domestic Aggregated or CT Band 3		0, 3, 4, 5-8		0.00
LDNO 132kV/EHV: Non-Domestic Aggregated or CT Band 4		0, 3, 4, 5-8		0.00
LDNO 132kV/EHV: LV Site Specific No Residual		0		0.00
LDNO 132kV/EHV: LV Site Specific Band 1		0		0.00
LDNO 132kV/EHV: LV Site Specific Band 2		0		0.00

Tariff name	Open LFCs / DUoS Tariff IDs / LDNO unique billing identifier	PCs	Supplier of Last Resort Fixed charge adder* p/MPAN/day	Eligible Bad Debt Fixed charge adder** p/MPAN/day
LDNO 132kV/EHV: LV Site Specific Band 3		0		0.00
LDNO 132kV/EHV: LV Site Specific Band 4		0		0.00
LDNO 132kV/EHV: LV Sub Site Specific No Residual		0		0.00
LDNO 132kV/EHV: LV Sub Site Specific Band 1		0		0.00
LDNO 132kV/EHV: LV Sub Site Specific Band 2		0		0.00
LDNO 132kV/EHV: LV Sub Site Specific Band 3		0		0.00
LDNO 132kV/EHV: LV Sub Site Specific Band 4		0		0.00
LDNO 132kV/EHV: HV Site Specific No Residual		0		0.00
LDNO 132kV/EHV: HV Site Specific Band 1		0		0.00
LDNO 132kV/EHV: HV Site Specific Band 2		0		0.00
LDNO 132kV/EHV: HV Site Specific Band 3		0		0.00
LDNO 132kV/EHV: HV Site Specific Band 4		0		0.00
LDNO 132kV: Domestic Aggregated or CT with Residual		0, 1, 2	0.00	0.00
LDNO 132kV: Non-Domestic Aggregated or CT No Residual		0, 3, 4, 5-8		0.00
LDNO 132kV: Non-Domestic Aggregated or CT Band 1		0, 3, 4, 5-8		0.00
LDNO 132kV: Non-Domestic Aggregated or CT Band 2		0, 3, 4, 5-8		0.00
LDNO 132kV: Non-Domestic Aggregated or CT Band 3		0, 3, 4, 5-8		0.00
LDNO 132kV: Non-Domestic Aggregated or CT Band 4		0, 3, 4, 5-8		0.00
LDNO 132kV: LV Site Specific No Residual		0		0.00
LDNO 132kV: LV Site Specific Band 1		0		0.00
LDNO 132kV: LV Site Specific Band 2		0		0.00
LDNO 132kV: LV Site Specific Band 3		0		0.00
LDNO 132kV: LV Site Specific Band 4		0		0.00
LDNO 132kV: LV Sub Site Specific No Residual		0		0.00
LDNO 132kV: LV Sub Site Specific Band 1		0		0.00
LDNO 132kV: LV Sub Site Specific Band 2		0		0.00
LDNO 132kV: LV Sub Site Specific Band 3		0		0.00
LDNO 132kV: LV Sub Site Specific Band 4		0		0.00
LDNO 132kV: HV Site Specific No Residual		0		0.00
LDNO 132kV: HV Site Specific Band 1		0		0.00
LDNO 132kV: HV Site Specific Band 2		0		0.00

Tariff name	Open LLFCs / DUoS Tariff IDs / LDNO unique billing identifier	PCs	Supplier of Last Resort Fixed charge adder* p/MPAN/day	Eligible Bad Debt Fixed charge adder** p/MPAN/day
LDNO 132kV: HV Site Specific Band 3		0		0.00
LDNO 132kV: HV Site Specific Band 4		0		0.00
LDNO 0000: Domestic Aggregated or CT with Residual		0, 1, 2	0.00	0.00
LDNO 0000: Non-Domestic Aggregated or CT No Residual		0, 3, 4, 5-8		0.00
LDNO 0000: Non-Domestic Aggregated or CT Band 1		0, 3, 4, 5-8		0.00
LDNO 0000: Non-Domestic Aggregated or CT Band 2		0, 3, 4, 5-8		0.00
LDNO 0000: Non-Domestic Aggregated or CT Band 3		0, 3, 4, 5-8		0.00
LDNO 0000: Non-Domestic Aggregated or CT Band 4		0, 3, 4, 5-8		0.00
LDNO 0000: LV Site Specific No Residual		0		0.00
LDNO 0000: LV Site Specific Band 1		0		0.00
LDNO 0000: LV Site Specific Band 2		0		0.00
LDNO 0000: LV Site Specific Band 3		0		0.00
LDNO 0000: LV Site Specific Band 4		0		0.00
LDNO 0000: LV Sub Site Specific No Residual		0		0.00
LDNO 0000: LV Sub Site Specific Band 1		0		0.00
LDNO 0000: LV Sub Site Specific Band 2		0		0.00
LDNO 0000: LV Sub Site Specific Band 3		0		0.00
LDNO 0000: LV Sub Site Specific Band 4		0		0.00
LDNO 0000: HV Site Specific No Residual		0		0.00
LDNO 0000: HV Site Specific Band 1		0		0.00
LDNO 0000: HV Site Specific Band 2		0		0.00
LDNO 0000: HV Site Specific Band 3		0		0.00
LDNO 0000: HV Site Specific Band 4		0		0.00

Annex 7 – Supplier of last Resort and Eligible Bad Debt Pass-Through Costs in “NGED East Midlands Area (GSP Group _B)”

Southern Electric Power Distribution plc - Effective from 1 April 2026 - Final Supplier of Last Resort and Eligible Bad Debt Pass-Through Costs in NGED EM Area (GSP Group _B)

Tariff name	Open LLFCs / DUoS Tariff IDs / LDNO unique billing identifier	PCs	Supplier of Last Resort Fixed charge adder* p/MPAN/day	Eligible Bad Debt Fixed charge adder** p/MPAN/day
Domestic Aggregated or CT with Residual	169, 279-280, 311-312, 461-462, 497, BA0	0, 1, 2	0.00	0.00
Non-Domestic Aggregated or CT No Residual	B05, B10, B15, B35, B40, B45, B55, B60, B70, B75, B80, B85, BA1	0, 3, 4, 5-8		0.00
Non-Domestic Aggregated or CT Band 1	B06, B11, B16, B36, B41, B46, B56, B61, B71, B76, B81, B86, BA2	0, 3, 4, 5-8		0.00
Non-Domestic Aggregated or CT Band 2	B07, B12, B17, B37, B42, B47, B57, B62, B72, B77, B82, B87, BA3	0, 3, 4, 5-8		0.00
Non-Domestic Aggregated or CT Band 3	B08, B13, B18, B38, B43, B48, B58, B63, B73, B78, B83, B88, BA4	0, 3, 4, 5-8		0.00
Non-Domestic Aggregated or CT Band 4	B09, B14, B19, B39, B44, B49, B59, B64, B74, B79, B84, B89, BA5	0, 3, 4, 5-8		0.00
LV Site Specific No Residual	B20, B30	0		0.00
LV Site Specific Band 1	B21, B31	0		0.00
LV Site Specific Band 2	B22, B32	0		0.00
LV Site Specific Band 3	B23, B33	0		0.00
LV Site Specific Band 4	B24, B34	0		0.00
LV Sub Site Specific No Residual	B65	0		0.00
LV Sub Site Specific Band 1	B66	0		0.00
LV Sub Site Specific Band 2	B67	0		0.00
LV Sub Site Specific Band 3	B68	0		0.00
LV Sub Site Specific Band 4	B69	0		0.00
HV Site Specific No Residual	B25, B50	0		0.00
HV Site Specific Band 1	B26, B51	0		0.00
HV Site Specific Band 2	B27, B52	0		0.00

Tariff name	Open LLFCs / DUoS Tariff IDs / LDNO unique billing identifier	PCs	Supplier of Last Resort Fixed charge adder* p/MPAN/day	Eligible Bad Debt Fixed charge adder** p/MPAN/day
HV Site Specific Band 3	B28, B53	0		0.00
HV Site Specific Band 4	B29, B54	0		0.00
LDNO LV: Domestic Aggregated or CT with Residual		0, 1, 2	0.00	0.00
LDNO LV: Non-Domestic Aggregated or CT No Residual		0, 3, 4, 5-8		0.00
LDNO LV: Non-Domestic Aggregated or CT Band 1		0, 3, 4, 5-8		0.00
LDNO LV: Non-Domestic Aggregated or CT Band 2		0, 3, 4, 5-8		0.00
LDNO LV: Non-Domestic Aggregated or CT Band 3		0, 3, 4, 5-8		0.00
LDNO LV: Non-Domestic Aggregated or CT Band 4		0, 3, 4, 5-8		0.00
LDNO LV: LV Site Specific No Residual		0		0.00
LDNO LV: LV Site Specific Band 1		0		0.00
LDNO LV: LV Site Specific Band 2		0		0.00
LDNO LV: LV Site Specific Band 3		0		0.00
LDNO LV: LV Site Specific Band 4		0		0.00
LDNO HV: Domestic Aggregated or CT with Residual		0, 1, 2	0.00	0.00
LDNO HV: Non-Domestic Aggregated or CT No Residual		0, 3, 4, 5-8		0.00
LDNO HV: Non-Domestic Aggregated or CT Band 1		0, 3, 4, 5-8		0.00
LDNO HV: Non-Domestic Aggregated or CT Band 2		0, 3, 4, 5-8		0.00
LDNO HV: Non-Domestic Aggregated or CT Band 3		0, 3, 4, 5-8		0.00
LDNO HV: Non-Domestic Aggregated or CT Band 4		0, 3, 4, 5-8		0.00
LDNO HV: LV Site Specific No Residual		0		0.00
LDNO HV: LV Site Specific Band 1		0		0.00
LDNO HV: LV Site Specific Band 2		0		0.00
LDNO HV: LV Site Specific Band 3		0		0.00
LDNO HV: LV Site Specific Band 4		0		0.00
LDNO HV: LV Sub Site Specific No Residual		0		0.00
LDNO HV: LV Sub Site Specific Band 1		0		0.00
LDNO HV: LV Sub Site Specific Band 2		0		0.00

Tariff name	Open LLCs / DUoS Tariff IDs / LDNO unique billing identifier	PCs	Supplier of Last Resort Fixed charge adder* p/MPAN/day	Eligible Bad Debt Fixed charge adder** p/MPAN/day
LDNO HV: LV Sub Site Specific Band 3		0		0.00
LDNO HV: LV Sub Site Specific Band 4		0		0.00
LDNO HV: HV Site Specific No Residual		0		0.00
LDNO HV: HV Site Specific Band 1		0		0.00
LDNO HV: HV Site Specific Band 2		0		0.00
LDNO HV: HV Site Specific Band 3		0		0.00
LDNO HV: HV Site Specific Band 4		0		0.00
LDNO HVplus: Domestic Aggregated or CT with Residual		0, 1, 2	0.00	0.00
LDNO HVplus: Non-Domestic Aggregated or CT No Residual		0, 3, 4, 5-8		0.00
LDNO HVplus: Non-Domestic Aggregated or CT Band 1		0, 3, 4, 5-8		0.00
LDNO HVplus: Non-Domestic Aggregated or CT Band 2		0, 3, 4, 5-8		0.00
LDNO HVplus: Non-Domestic Aggregated or CT Band 3		0, 3, 4, 5-8		0.00
LDNO HVplus: Non-Domestic Aggregated or CT Band 4		0, 3, 4, 5-8		0.00
LDNO HVplus: LV Site Specific No Residual		0		0.00
LDNO HVplus: LV Site Specific Band 1		0		0.00
LDNO HVplus: LV Site Specific Band 2		0		0.00
LDNO HVplus: LV Site Specific Band 3		0		0.00
LDNO HVplus: LV Site Specific Band 4		0		0.00
LDNO HVplus: LV Sub Site Specific No Residual		0		0.00
LDNO HVplus: LV Sub Site Specific Band 1		0		0.00
LDNO HVplus: LV Sub Site Specific Band 2		0		0.00
LDNO HVplus: LV Sub Site Specific Band 3		0		0.00
LDNO HVplus: LV Sub Site Specific Band 4		0		0.00
LDNO HVplus: HV Site Specific No Residual		0		0.00
LDNO HVplus: HV Site Specific Band 1		0		0.00
LDNO HVplus: HV Site Specific Band 2		0		0.00
LDNO HVplus: HV Site Specific Band 3		0		0.00
LDNO HVplus: HV Site Specific Band 4		0		0.00
LDNO EHV: Domestic Aggregated or CT with Residual		0, 1, 2	0.00	0.00
LDNO EHV: Non-Domestic Aggregated or CT No Residual		0, 3, 4, 5-8		0.00

Tariff name	Open LLCs / DUoS Tariff IDs / LDNO unique billing identifier	PCs	Supplier of Last Resort Fixed charge adder* p/MPAN/day	Eligible Bad Debt Fixed charge adder** p/MPAN/day
LDNO EHV: Non-Domestic Aggregated or CT Band 1		0, 3, 4, 5-8		0.00
LDNO EHV: Non-Domestic Aggregated or CT Band 2		0, 3, 4, 5-8		0.00
LDNO EHV: Non-Domestic Aggregated or CT Band 3		0, 3, 4, 5-8		0.00
LDNO EHV: Non-Domestic Aggregated or CT Band 4		0, 3, 4, 5-8		0.00
LDNO EHV: LV Site Specific No Residual		0		0.00
LDNO EHV: LV Site Specific Band 1		0		0.00
LDNO EHV: LV Site Specific Band 2		0		0.00
LDNO EHV: LV Site Specific Band 3		0		0.00
LDNO EHV: LV Site Specific Band 4		0		0.00
LDNO EHV: LV Sub Site Specific No Residual		0		0.00
LDNO EHV: LV Sub Site Specific Band 1		0		0.00
LDNO EHV: LV Sub Site Specific Band 2		0		0.00
LDNO EHV: LV Sub Site Specific Band 3		0		0.00
LDNO EHV: LV Sub Site Specific Band 4		0		0.00
LDNO EHV: HV Site Specific No Residual		0		0.00
LDNO EHV: HV Site Specific Band 1		0		0.00
LDNO EHV: HV Site Specific Band 2		0		0.00
LDNO EHV: HV Site Specific Band 3		0		0.00
LDNO EHV: HV Site Specific Band 4		0		0.00
LDNO 132kV/EHV: Domestic Aggregated or CT with Residual		0, 1, 2	0.00	0.00
LDNO 132kV/EHV: Non-Domestic Aggregated or CT No Residual		0, 3, 4, 5-8		0.00
LDNO 132kV/EHV: Non-Domestic Aggregated or CT Band 1		0, 3, 4, 5-8		0.00
LDNO 132kV/EHV: Non-Domestic Aggregated or CT Band 2		0, 3, 4, 5-8		0.00
LDNO 132kV/EHV: Non-Domestic Aggregated or CT Band 3		0, 3, 4, 5-8		0.00
LDNO 132kV/EHV: Non-Domestic Aggregated or CT Band 4		0, 3, 4, 5-8		0.00
LDNO 132kV/EHV: LV Site Specific No Residual		0		0.00
LDNO 132kV/EHV: LV Site Specific Band 1		0		0.00
LDNO 132kV/EHV: LV Site Specific Band 2		0		0.00

Tariff name	Open LFCs / DUoS Tariff IDs / LDNO unique billing identifier	PCs	Supplier of Last Resort Fixed charge adder* p/MPAN/day	Eligible Bad Debt Fixed charge adder** p/MPAN/day
LDNO 132kV/EHV: LV Site Specific Band 3		0		0.00
LDNO 132kV/EHV: LV Site Specific Band 4		0		0.00
LDNO 132kV/EHV: LV Sub Site Specific No Residual		0		0.00
LDNO 132kV/EHV: LV Sub Site Specific Band 1		0		0.00
LDNO 132kV/EHV: LV Sub Site Specific Band 2		0		0.00
LDNO 132kV/EHV: LV Sub Site Specific Band 3		0		0.00
LDNO 132kV/EHV: LV Sub Site Specific Band 4		0		0.00
LDNO 132kV/EHV: HV Site Specific No Residual		0		0.00
LDNO 132kV/EHV: HV Site Specific Band 1		0		0.00
LDNO 132kV/EHV: HV Site Specific Band 2		0		0.00
LDNO 132kV/EHV: HV Site Specific Band 3		0		0.00
LDNO 132kV/EHV: HV Site Specific Band 4		0		0.00
LDNO 132kV: Domestic Aggregated or CT with Residual		0, 1, 2	0.00	0.00
LDNO 132kV: Non-Domestic Aggregated or CT No Residual		0, 3, 4, 5-8		0.00
LDNO 132kV: Non-Domestic Aggregated or CT Band 1		0, 3, 4, 5-8		0.00
LDNO 132kV: Non-Domestic Aggregated or CT Band 2		0, 3, 4, 5-8		0.00
LDNO 132kV: Non-Domestic Aggregated or CT Band 3		0, 3, 4, 5-8		0.00
LDNO 132kV: Non-Domestic Aggregated or CT Band 4		0, 3, 4, 5-8		0.00
LDNO 132kV: LV Site Specific No Residual		0		0.00
LDNO 132kV: LV Site Specific Band 1		0		0.00
LDNO 132kV: LV Site Specific Band 2		0		0.00
LDNO 132kV: LV Site Specific Band 3		0		0.00
LDNO 132kV: LV Site Specific Band 4		0		0.00
LDNO 132kV: LV Sub Site Specific No Residual		0		0.00
LDNO 132kV: LV Sub Site Specific Band 1		0		0.00
LDNO 132kV: LV Sub Site Specific Band 2		0		0.00
LDNO 132kV: LV Sub Site Specific Band 3		0		0.00
LDNO 132kV: LV Sub Site Specific Band 4		0		0.00
LDNO 132kV: HV Site Specific No Residual		0		0.00
LDNO 132kV: HV Site Specific Band 1		0		0.00
LDNO 132kV: HV Site Specific Band 2		0		0.00

Tariff name	Open LLFCs / DUoS Tariff IDs / LDNO unique billing identifier	PCs	Supplier of Last Resort Fixed charge adder* p/MPAN/day	Eligible Bad Debt Fixed charge adder** p/MPAN/day
LDNO 132kV: HV Site Specific Band 3		0		0.00
LDNO 132kV: HV Site Specific Band 4		0		0.00
LDNO 0000: Domestic Aggregated or CT with Residual		0, 1, 2	0.00	0.00
LDNO 0000: Non-Domestic Aggregated or CT No Residual		0, 3, 4, 5-8		0.00
LDNO 0000: Non-Domestic Aggregated or CT Band 1		0, 3, 4, 5-8		0.00
LDNO 0000: Non-Domestic Aggregated or CT Band 2		0, 3, 4, 5-8		0.00
LDNO 0000: Non-Domestic Aggregated or CT Band 3		0, 3, 4, 5-8		0.00
LDNO 0000: Non-Domestic Aggregated or CT Band 4		0, 3, 4, 5-8		0.00
LDNO 0000: LV Site Specific No Residual		0		0.00
LDNO 0000: LV Site Specific Band 1		0		0.00
LDNO 0000: LV Site Specific Band 2		0		0.00
LDNO 0000: LV Site Specific Band 3		0		0.00
LDNO 0000: LV Site Specific Band 4		0		0.00
LDNO 0000: LV Sub Site Specific No Residual		0		0.00
LDNO 0000: LV Sub Site Specific Band 1		0		0.00
LDNO 0000: LV Sub Site Specific Band 2		0		0.00
LDNO 0000: LV Sub Site Specific Band 3		0		0.00
LDNO 0000: LV Sub Site Specific Band 4		0		0.00
LDNO 0000: HV Site Specific No Residual		0		0.00
LDNO 0000: HV Site Specific Band 1		0		0.00
LDNO 0000: HV Site Specific Band 2		0		0.00
LDNO 0000: HV Site Specific Band 3		0		0.00
LDNO 0000: HV Site Specific Band 4		0		0.00

Annex 7 – Supplier of last Resort and Eligible Bad Debt Pass-Through Costs in “London Power Networks Area (GSP Group _C)”

Southern Electric Power Distribution plc - Effective from 1 April 2026 - Final Supplier of Last Resort and Eligible Bad Debt Pass-Through Costs in UKPN LPN Area (GSP Group _C)

Tariff name	Open LLFCs / DUoS Tariff IDs / LDNO unique billing identifier	PCs	Supplier of Last Resort Fixed charge adder* p/MPAN/day	Eligible Bad Debt Fixed charge adder** p/MPAN/day
Domestic Aggregated or CT with Residual	171, 191-192, 221-222, 321-322, 417-418, 506, 508, CA0	0, 1, 2	0.00	0.00
Non-Domestic Aggregated or CT No Residual	C05, C10, C20, C30, C35, C40, C50, C60, C65, C70, C80, C85, C90, C95, R20, R25, R30, R35, CA1	0, 3, 4, 5-8		0.00
Non-Domestic Aggregated or CT Band 1	C06, C11, C21, C31, C36, C41, C51, C61, C66, C71, C81, C86, C91, C96, R21, R26, R31, R36, CA2	0, 3, 4, 5-8		0.00
Non-Domestic Aggregated or CT Band 2	C07, C12, C22, C32, C37, C42, C52, C62, C67, C72, C82, C87, C92, C97, R22, R27, R32, R37, CA3	0, 3, 4, 5-8		0.00
Non-Domestic Aggregated or CT Band 3	C08, C13, C23, C33, C38, C43, C53, C63, C68, C73, C83, C88, C93, C98, R23, R28, R33, R38, CA4	0, 3, 4, 5-8		0.00
Non-Domestic Aggregated or CT Band 4	C09, C14, C24, C34, C39, C44, C54, C64, C69, C74, C84, C89, C94, C99, R24, R29, R34, R39, CA5	0, 3, 4, 5-8		0.00
LV Site Specific No Residual	C15, C25, C55, R00	0		0.00
LV Site Specific Band 1	C16, C26, C56, R01	0		0.00
LV Site Specific Band 2	C17, C27, C57, R02	0		0.00
LV Site Specific Band 3	C18, C28, C58, R03	0		0.00
LV Site Specific Band 4	C19, C29, C59, R04	0		0.00
LV Sub Site Specific No Residual	R10, R15	0		0.00
LV Sub Site Specific Band 1	R11, R16	0		0.00
LV Sub Site Specific Band 2	R12, R17	0		0.00
LV Sub Site Specific Band 3	R13, R18	0		0.00

Tariff name	Open LLFCs / DUoS Tariff IDs / LDNO unique billing identifier	PCs	Supplier of Last Resort Fixed charge adder* p/MPAN/day	Eligible Bad Debt Fixed charge adder** p/MPAN/day
LV Sub Site Specific Band 4	R14, R19	0		0.00
HV Site Specific No Residual	C45, C75, R05	0		0.00
HV Site Specific Band 1	C46, C76, R06	0		0.00
HV Site Specific Band 2	C47, C77, R07	0		0.00
HV Site Specific Band 3	C48, C78, R08	0		0.00
HV Site Specific Band 4	C49, C79, R09	0		0.00
LDNO LV: Domestic Aggregated or CT with Residual		0, 1, 2	0.00	0.00
LDNO LV: Non-Domestic Aggregated or CT No Residual		0, 3, 4, 5-8		0.00
LDNO LV: Non-Domestic Aggregated or CT Band 1		0, 3, 4, 5-8		0.00
LDNO LV: Non-Domestic Aggregated or CT Band 2		0, 3, 4, 5-8		0.00
LDNO LV: Non-Domestic Aggregated or CT Band 3		0, 3, 4, 5-8		0.00
LDNO LV: Non-Domestic Aggregated or CT Band 4		0, 3, 4, 5-8		0.00
LDNO LV: LV Site Specific No Residual		0		0.00
LDNO LV: LV Site Specific Band 1		0		0.00
LDNO LV: LV Site Specific Band 2		0		0.00
LDNO LV: LV Site Specific Band 3		0		0.00
LDNO LV: LV Site Specific Band 4		0		0.00
LDNO HV: Domestic Aggregated or CT with Residual		0, 1, 2	0.00	0.00
LDNO HV: Non-Domestic Aggregated or CT No Residual		0, 3, 4, 5-8		0.00
LDNO HV: Non-Domestic Aggregated or CT Band 1		0, 3, 4, 5-8		0.00
LDNO HV: Non-Domestic Aggregated or CT Band 2		0, 3, 4, 5-8		0.00
LDNO HV: Non-Domestic Aggregated or CT Band 3		0, 3, 4, 5-8		0.00
LDNO HV: Non-Domestic Aggregated or CT Band 4		0, 3, 4, 5-8		0.00
LDNO HV: LV Site Specific No Residual		0		0.00
LDNO HV: LV Site Specific Band 1		0		0.00
LDNO HV: LV Site Specific Band 2		0		0.00
LDNO HV: LV Site Specific Band 3		0		0.00

Tariff name	Open LFCs / DUoS Tariff IDs / LDNO unique billing identifier	PCs	Supplier of Last Resort Fixed charge adder* p/MPAN/day	Eligible Bad Debt Fixed charge adder** p/MPAN/day
LDNO HV: LV Site Specific Band 4		0		0.00
LDNO HV: LV Sub Site Specific No Residual		0		0.00
LDNO HV: LV Sub Site Specific Band 1		0		0.00
LDNO HV: LV Sub Site Specific Band 2		0		0.00
LDNO HV: LV Sub Site Specific Band 3		0		0.00
LDNO HV: LV Sub Site Specific Band 4		0		0.00
LDNO HV: HV Site Specific No Residual		0		0.00
LDNO HV: HV Site Specific Band 1		0		0.00
LDNO HV: HV Site Specific Band 2		0		0.00
LDNO HV: HV Site Specific Band 3		0		0.00
LDNO HV: HV Site Specific Band 4		0		0.00
LDNO HVplus: Domestic Aggregated or CT with Residual		0, 1, 2	0.00	0.00
LDNO HVplus: Non-Domestic Aggregated or CT No Residual		0, 3, 4, 5-8		0.00
LDNO HVplus: Non-Domestic Aggregated or CT Band 1		0, 3, 4, 5-8		0.00
LDNO HVplus: Non-Domestic Aggregated or CT Band 2		0, 3, 4, 5-8		0.00
LDNO HVplus: Non-Domestic Aggregated or CT Band 3		0, 3, 4, 5-8		0.00
LDNO HVplus: Non-Domestic Aggregated or CT Band 4		0, 3, 4, 5-8		0.00
LDNO HVplus: LV Site Specific No Residual		0		0.00
LDNO HVplus: LV Site Specific Band 1		0		0.00
LDNO HVplus: LV Site Specific Band 2		0		0.00
LDNO HVplus: LV Site Specific Band 3		0		0.00
LDNO HVplus: LV Site Specific Band 4		0		0.00
LDNO HVplus: LV Sub Site Specific No Residual		0		0.00
LDNO HVplus: LV Sub Site Specific Band 1		0		0.00
LDNO HVplus: LV Sub Site Specific Band 2		0		0.00
LDNO HVplus: LV Sub Site Specific Band 3		0		0.00
LDNO HVplus: LV Sub Site Specific Band 4		0		0.00
LDNO HVplus: HV Site Specific No Residual		0		0.00
LDNO HVplus: HV Site Specific Band 1		0		0.00
LDNO HVplus: HV Site Specific Band 2		0		0.00
LDNO HVplus: HV Site Specific Band 3		0		0.00

Tariff name	Open LLFCs / DUoS Tariff IDs / LDNO unique billing identifier	PCs	Supplier of Last Resort Fixed charge adder* p/MPAN/day	Eligible Bad Debt Fixed charge adder** p/MPAN/day
LDNO HVplus: HV Site Specific Band 4		0		0.00
LDNO EHV: Domestic Aggregated or CT with Residual		0, 1, 2	0.00	0.00
LDNO EHV: Non-Domestic Aggregated or CT No Residual		0, 3, 4, 5-8		0.00
LDNO EHV: Non-Domestic Aggregated or CT Band 1		0, 3, 4, 5-8		0.00
LDNO EHV: Non-Domestic Aggregated or CT Band 2		0, 3, 4, 5-8		0.00
LDNO EHV: Non-Domestic Aggregated or CT Band 3		0, 3, 4, 5-8		0.00
LDNO EHV: Non-Domestic Aggregated or CT Band 4		0, 3, 4, 5-8		0.00
LDNO EHV: LV Site Specific No Residual		0		0.00
LDNO EHV: LV Site Specific Band 1		0		0.00
LDNO EHV: LV Site Specific Band 2		0		0.00
LDNO EHV: LV Site Specific Band 3		0		0.00
LDNO EHV: LV Site Specific Band 4		0		0.00
LDNO EHV: LV Sub Site Specific No Residual		0		0.00
LDNO EHV: LV Sub Site Specific Band 1		0		0.00
LDNO EHV: LV Sub Site Specific Band 2		0		0.00
LDNO EHV: LV Sub Site Specific Band 3		0		0.00
LDNO EHV: LV Sub Site Specific Band 4		0		0.00
LDNO EHV: HV Site Specific No Residual		0		0.00
LDNO EHV: HV Site Specific Band 1		0		0.00
LDNO EHV: HV Site Specific Band 2		0		0.00
LDNO EHV: HV Site Specific Band 3		0		0.00
LDNO EHV: HV Site Specific Band 4		0		0.00
LDNO 132kV/EHV: Domestic Aggregated or CT with Residual		0, 1, 2	0.00	0.00
LDNO 132kV/EHV: Non-Domestic Aggregated or CT No Residual		0, 3, 4, 5-8		0.00
LDNO 132kV/EHV: Non-Domestic Aggregated or CT Band 1		0, 3, 4, 5-8		0.00
LDNO 132kV/EHV: Non-Domestic Aggregated or CT Band 2		0, 3, 4, 5-8		0.00
LDNO 132kV/EHV: Non-Domestic Aggregated or CT Band 3		0, 3, 4, 5-8		0.00

Tariff name	Open LFCs / DUoS Tariff IDs / LDNO unique billing identifier	PCs	Supplier of Last Resort Fixed charge adder* p/MPAN/day	Eligible Bad Debt Fixed charge adder** p/MPAN/day
LDNO 132kV/EHV: Non-Domestic Aggregated or CT Band 4		0, 3, 4, 5-8		0.00
LDNO 132kV/EHV: LV Site Specific No Residual		0		0.00
LDNO 132kV/EHV: LV Site Specific Band 1		0		0.00
LDNO 132kV/EHV: LV Site Specific Band 2		0		0.00
LDNO 132kV/EHV: LV Site Specific Band 3		0		0.00
LDNO 132kV/EHV: LV Site Specific Band 4		0		0.00
LDNO 132kV/EHV: LV Sub Site Specific No Residual		0		0.00
LDNO 132kV/EHV: LV Sub Site Specific Band 1		0		0.00
LDNO 132kV/EHV: LV Sub Site Specific Band 2		0		0.00
LDNO 132kV/EHV: LV Sub Site Specific Band 3		0		0.00
LDNO 132kV/EHV: LV Sub Site Specific Band 4		0		0.00
LDNO 132kV/EHV: HV Site Specific No Residual		0		0.00
LDNO 132kV/EHV: HV Site Specific Band 1		0		0.00
LDNO 132kV/EHV: HV Site Specific Band 2		0		0.00
LDNO 132kV/EHV: HV Site Specific Band 3		0		0.00
LDNO 132kV/EHV: HV Site Specific Band 4		0		0.00
LDNO 132kV: Domestic Aggregated or CT with Residual		0, 1, 2	0.00	0.00
LDNO 132kV: Non-Domestic Aggregated or CT No Residual		0, 3, 4, 5-8		0.00
LDNO 132kV: Non-Domestic Aggregated or CT Band 1		0, 3, 4, 5-8		0.00
LDNO 132kV: Non-Domestic Aggregated or CT Band 2		0, 3, 4, 5-8		0.00
LDNO 132kV: Non-Domestic Aggregated or CT Band 3		0, 3, 4, 5-8		0.00
LDNO 132kV: Non-Domestic Aggregated or CT Band 4		0, 3, 4, 5-8		0.00
LDNO 132kV: LV Site Specific No Residual		0		0.00
LDNO 132kV: LV Site Specific Band 1		0		0.00
LDNO 132kV: LV Site Specific Band 2		0		0.00
LDNO 132kV: LV Site Specific Band 3		0		0.00
LDNO 132kV: LV Site Specific Band 4		0		0.00
LDNO 132kV: LV Sub Site Specific No Residual		0		0.00
LDNO 132kV: LV Sub Site Specific Band 1		0		0.00
LDNO 132kV: LV Sub Site Specific Band 2		0		0.00

Tariff name	Open LLFCs / DUoS Tariff IDs / LDNO unique billing identifier	PCs	Supplier of Last Resort Fixed charge adder* p/MPAN/day	Eligible Bad Debt Fixed charge adder** p/MPAN/day
LDNO 132kV: LV Sub Site Specific Band 3		0		0.00
LDNO 132kV: LV Sub Site Specific Band 4		0		0.00
LDNO 132kV: HV Site Specific No Residual		0		0.00
LDNO 132kV: HV Site Specific Band 1		0		0.00
LDNO 132kV: HV Site Specific Band 2		0		0.00
LDNO 132kV: HV Site Specific Band 3		0		0.00
LDNO 132kV: HV Site Specific Band 4		0		0.00
LDNO 0000: Domestic Aggregated or CT with Residual		0, 1, 2	0.00	0.00
LDNO 0000: Non-Domestic Aggregated or CT No Residual		0, 3, 4, 5-8		0.00
LDNO 0000: Non-Domestic Aggregated or CT Band 1		0, 3, 4, 5-8		0.00
LDNO 0000: Non-Domestic Aggregated or CT Band 2		0, 3, 4, 5-8		0.00
LDNO 0000: Non-Domestic Aggregated or CT Band 3		0, 3, 4, 5-8		0.00
LDNO 0000: Non-Domestic Aggregated or CT Band 4		0, 3, 4, 5-8		0.00
LDNO 0000: LV Site Specific No Residual		0		0.00
LDNO 0000: LV Site Specific Band 1		0		0.00
LDNO 0000: LV Site Specific Band 2		0		0.00
LDNO 0000: LV Site Specific Band 3		0		0.00
LDNO 0000: LV Site Specific Band 4		0		0.00
LDNO 0000: LV Sub Site Specific No Residual		0		0.00
LDNO 0000: LV Sub Site Specific Band 1		0		0.00
LDNO 0000: LV Sub Site Specific Band 2		0		0.00
LDNO 0000: LV Sub Site Specific Band 3		0		0.00
LDNO 0000: LV Sub Site Specific Band 4		0		0.00
LDNO 0000: HV Site Specific No Residual		0		0.00
LDNO 0000: HV Site Specific Band 1		0		0.00
LDNO 0000: HV Site Specific Band 2		0		0.00
LDNO 0000: HV Site Specific Band 3		0		0.00
LDNO 0000: HV Site Specific Band 4		0		0.00

Annex 7 – Supplier of last Resort and Eligible Bad Debt Pass-Through Costs in “SP Manweb Area (GSP Group _D)”

Southern Electric Power Distribution plc - Effective from 1 April 2026 - Final Supplier of Last Resort and Eligible Bad Debt Pass-Through Costs in SP Manweb Area (GSP Group _D)

Tariff name	Open LLFCs / DUoS Tariff IDs / LDNO unique billing identifier	PCs	Supplier of Last Resort Fixed charge adder* p/MPAN/day	Eligible Bad Debt Fixed charge adder** p/MPAN/day
Domestic Aggregated or CT with Residual	173, 331-332, DA0	0, 1, 2	0.00	0.00
Non-Domestic Aggregated or CT No Residual	D45, D15, D20, D25, D35, DA1	0, 3, 4, 5-8		0.00
Non-Domestic Aggregated or CT Band 1	D46, D16, D21, D26, D36, DA2	0, 3, 4, 5-8		0.00
Non-Domestic Aggregated or CT Band 2	D47, D17, D22, D27, D37, DA3	0, 3, 4, 5-8		0.00
Non-Domestic Aggregated or CT Band 3	D48, D18, D23, D28, D38, DA4	0, 3, 4, 5-8		0.00
Non-Domestic Aggregated or CT Band 4	D49, D19, D24, D29, D39, DA5	0, 3, 4, 5-8		0.00
LV Site Specific No Residual	D10	0		0.00
LV Site Specific Band 1	D11	0		0.00
LV Site Specific Band 2	D12	0		0.00
LV Site Specific Band 3	D13	0		0.00
LV Site Specific Band 4	D14	0		0.00
LV Sub Site Specific No Residual	D40	0		0.00
LV Sub Site Specific Band 1	D41	0		0.00
LV Sub Site Specific Band 2	D42	0		0.00
LV Sub Site Specific Band 3	D43	0		0.00
LV Sub Site Specific Band 4	D44	0		0.00
HV Site Specific No Residual	D05, D30	0		0.00
HV Site Specific Band 1	D06, D31	0		0.00
HV Site Specific Band 2	D07, D32	0		0.00
HV Site Specific Band 3	D08, D33	0		0.00
HV Site Specific Band 4	D09, D34	0		0.00
LDNO LV: Domestic Aggregated or CT with Residual		0, 1, 2	0.00	0.00
LDNO LV: Non-Domestic Aggregated or CT No Residual		0, 3, 4, 5-8		0.00

Tariff name	Open LLFCs / DUoS Tariff IDs / LDNO unique billing identifier	PCs	Supplier of Last Resort Fixed charge adder* p/MPAN/day	Eligible Bad Debt Fixed charge adder** p/MPAN/day
LDNO LV: Non-Domestic Aggregated or CT Band 1		0, 3, 4, 5-8		0.00
LDNO LV: Non-Domestic Aggregated or CT Band 2		0, 3, 4, 5-8		0.00
LDNO LV: Non-Domestic Aggregated or CT Band 3		0, 3, 4, 5-8		0.00
LDNO LV: Non-Domestic Aggregated or CT Band 4		0, 3, 4, 5-8		0.00
LDNO LV: LV Site Specific No Residual		0		0.00
LDNO LV: LV Site Specific Band 1		0		0.00
LDNO LV: LV Site Specific Band 2		0		0.00
LDNO LV: LV Site Specific Band 3		0		0.00
LDNO LV: LV Site Specific Band 4		0		0.00
LDNO HV: Domestic Aggregated or CT with Residual		0, 1, 2	0.00	0.00
LDNO HV: Non-Domestic Aggregated or CT No Residual		0, 3, 4, 5-8		0.00
LDNO HV: Non-Domestic Aggregated or CT Band 1		0, 3, 4, 5-8		0.00
LDNO HV: Non-Domestic Aggregated or CT Band 2		0, 3, 4, 5-8		0.00
LDNO HV: Non-Domestic Aggregated or CT Band 3		0, 3, 4, 5-8		0.00
LDNO HV: Non-Domestic Aggregated or CT Band 4		0, 3, 4, 5-8		0.00
LDNO HV: LV Site Specific No Residual		0		0.00
LDNO HV: LV Site Specific Band 1		0		0.00
LDNO HV: LV Site Specific Band 2		0		0.00
LDNO HV: LV Site Specific Band 3		0		0.00
LDNO HV: LV Site Specific Band 4		0		0.00
LDNO HV: LV Sub Site Specific No Residual		0		0.00
LDNO HV: LV Sub Site Specific Band 1		0		0.00
LDNO HV: LV Sub Site Specific Band 2		0		0.00
LDNO HV: LV Sub Site Specific Band 3		0		0.00
LDNO HV: LV Sub Site Specific Band 4		0		0.00
LDNO HV: HV Site Specific No Residual		0		0.00
LDNO HV: HV Site Specific Band 1		0		0.00
LDNO HV: HV Site Specific Band 2		0		0.00

Tariff name	Open LLFCs / DUoS Tariff IDs / LDNO unique billing identifier	PCs	Supplier of Last Resort Fixed charge adder* p/MPAN/day	Eligible Bad Debt Fixed charge adder** p/MPAN/day
LDNO HV: HV Site Specific Band 3		0		0.00
LDNO HV: HV Site Specific Band 4		0		0.00
LDNO HVplus: Domestic Aggregated or CT with Residual		0, 1, 2	0.00	0.00
LDNO HVplus: Non-Domestic Aggregated or CT No Residual		0, 3, 4, 5-8		0.00
LDNO HVplus: Non-Domestic Aggregated or CT Band 1		0, 3, 4, 5-8		0.00
LDNO HVplus: Non-Domestic Aggregated or CT Band 2		0, 3, 4, 5-8		0.00
LDNO HVplus: Non-Domestic Aggregated or CT Band 3		0, 3, 4, 5-8		0.00
LDNO HVplus: Non-Domestic Aggregated or CT Band 4		0, 3, 4, 5-8		0.00
LDNO HVplus: LV Site Specific No Residual		0		0.00
LDNO HVplus: LV Site Specific Band 1		0		0.00
LDNO HVplus: LV Site Specific Band 2		0		0.00
LDNO HVplus: LV Site Specific Band 3		0		0.00
LDNO HVplus: LV Site Specific Band 4		0		0.00
LDNO HVplus: LV Sub Site Specific No Residual		0		0.00
LDNO HVplus: LV Sub Site Specific Band 1		0		0.00
LDNO HVplus: LV Sub Site Specific Band 2		0		0.00
LDNO HVplus: LV Sub Site Specific Band 3		0		0.00
LDNO HVplus: LV Sub Site Specific Band 4		0		0.00
LDNO HVplus: HV Site Specific No Residual		0		0.00
LDNO HVplus: HV Site Specific Band 1		0		0.00
LDNO HVplus: HV Site Specific Band 2		0		0.00
LDNO HVplus: HV Site Specific Band 3		0		0.00
LDNO HVplus: HV Site Specific Band 4		0		0.00
LDNO EHV: Domestic Aggregated or CT with Residual		0, 1, 2	0.00	0.00
LDNO EHV: Non-Domestic Aggregated or CT No Residual		0, 3, 4, 5-8		0.00
LDNO EHV: Non-Domestic Aggregated or CT Band 1		0, 3, 4, 5-8		0.00
LDNO EHV: Non-Domestic Aggregated or CT Band 2		0, 3, 4, 5-8		0.00
LDNO EHV: Non-Domestic Aggregated or CT Band 3		0, 3, 4, 5-8		0.00

Tariff name	Open LLFCs / DUoS Tariff IDs / LDNO unique billing identifier	PCs	Supplier of Last Resort Fixed charge adder* p/MPAN/day	Eligible Bad Debt Fixed charge adder** p/MPAN/day
LDNO EHV: Non-Domestic Aggregated or CT Band 4		0, 3, 4, 5-8		0.00
LDNO EHV: LV Site Specific No Residual		0		0.00
LDNO EHV: LV Site Specific Band 1		0		0.00
LDNO EHV: LV Site Specific Band 2		0		0.00
LDNO EHV: LV Site Specific Band 3		0		0.00
LDNO EHV: LV Site Specific Band 4		0		0.00
LDNO EHV: LV Sub Site Specific No Residual		0		0.00
LDNO EHV: LV Sub Site Specific Band 1		0		0.00
LDNO EHV: LV Sub Site Specific Band 2		0		0.00
LDNO EHV: LV Sub Site Specific Band 3		0		0.00
LDNO EHV: LV Sub Site Specific Band 4		0		0.00
LDNO EHV: HV Site Specific No Residual		0		0.00
LDNO EHV: HV Site Specific Band 1		0		0.00
LDNO EHV: HV Site Specific Band 2		0		0.00
LDNO EHV: HV Site Specific Band 3		0		0.00
LDNO EHV: HV Site Specific Band 4		0		0.00
LDNO 132kV/EHV: Domestic Aggregated or CT with Residual		0, 1, 2	0.00	0.00
LDNO 132kV/EHV: Non-Domestic Aggregated or CT No Residual		0, 3, 4, 5-8		0.00
LDNO 132kV/EHV: Non-Domestic Aggregated or CT Band 1		0, 3, 4, 5-8		0.00
LDNO 132kV/EHV: Non-Domestic Aggregated or CT Band 2		0, 3, 4, 5-8		0.00
LDNO 132kV/EHV: Non-Domestic Aggregated or CT Band 3		0, 3, 4, 5-8		0.00
LDNO 132kV/EHV: Non-Domestic Aggregated or CT Band 4		0, 3, 4, 5-8		0.00
LDNO 132kV/EHV: LV Site Specific No Residual		0		0.00
LDNO 132kV/EHV: LV Site Specific Band 1		0		0.00
LDNO 132kV/EHV: LV Site Specific Band 2		0		0.00
LDNO 132kV/EHV: LV Site Specific Band 3		0		0.00
LDNO 132kV/EHV: LV Site Specific Band 4		0		0.00
LDNO 132kV/EHV: LV Sub Site Specific No Residual		0		0.00
LDNO 132kV/EHV: LV Sub Site Specific Band 1		0		0.00
LDNO 132kV/EHV: LV Sub Site Specific Band 2		0		0.00

Tariff name	Open LLFCs / DUoS Tariff IDs / LDNO unique billing identifier	PCs	Supplier of Last Resort Fixed charge adder* p/MPAN/day	Eligible Bad Debt Fixed charge adder** p/MPAN/day
LDNO 132kV/EHV: LV Sub Site Specific Band 3		0		0.00
LDNO 132kV/EHV: LV Sub Site Specific Band 4		0		0.00
LDNO 132kV/EHV: HV Site Specific No Residual		0		0.00
LDNO 132kV/EHV: HV Site Specific Band 1		0		0.00
LDNO 132kV/EHV: HV Site Specific Band 2		0		0.00
LDNO 132kV/EHV: HV Site Specific Band 3		0		0.00
LDNO 132kV/EHV: HV Site Specific Band 4		0		0.00
LDNO 132kV: Domestic Aggregated or CT with Residual		0, 1, 2	0.00	0.00
LDNO 132kV: Non-Domestic Aggregated or CT No Residual		0, 3, 4, 5-8		0.00
LDNO 132kV: Non-Domestic Aggregated or CT Band 1		0, 3, 4, 5-8		0.00
LDNO 132kV: Non-Domestic Aggregated or CT Band 2		0, 3, 4, 5-8		0.00
LDNO 132kV: Non-Domestic Aggregated or CT Band 3		0, 3, 4, 5-8		0.00
LDNO 132kV: Non-Domestic Aggregated or CT Band 4		0, 3, 4, 5-8		0.00
LDNO 132kV: LV Site Specific No Residual		0		0.00
LDNO 132kV: LV Site Specific Band 1		0		0.00
LDNO 132kV: LV Site Specific Band 2		0		0.00
LDNO 132kV: LV Site Specific Band 3		0		0.00
LDNO 132kV: LV Site Specific Band 4		0		0.00
LDNO 132kV: LV Sub Site Specific No Residual		0		0.00
LDNO 132kV: LV Sub Site Specific Band 1		0		0.00
LDNO 132kV: LV Sub Site Specific Band 2		0		0.00
LDNO 132kV: LV Sub Site Specific Band 3		0		0.00
LDNO 132kV: LV Sub Site Specific Band 4		0		0.00
LDNO 132kV: HV Site Specific No Residual		0		0.00
LDNO 132kV: HV Site Specific Band 1		0		0.00
LDNO 132kV: HV Site Specific Band 2		0		0.00
LDNO 132kV: HV Site Specific Band 3		0		0.00
LDNO 132kV: HV Site Specific Band 4		0		0.00
LDNO 0000: Domestic Aggregated or CT with Residual		0, 1, 2	0.00	0.00
LDNO 0000: Non-Domestic Aggregated or CT No Residual		0, 3, 4, 5-8		0.00

Tariff name	Open LLFCs / DUoS Tariff IDs / LDNO unique billing identifier	PCs	Supplier of Last Resort Fixed charge adder* p/MPAN/day	Eligible Bad Debt Fixed charge adder** p/MPAN/day
LDNO 0000: Non-Domestic Aggregated or CT Band 1		0, 3, 4, 5-8		0.00
LDNO 0000: Non-Domestic Aggregated or CT Band 2		0, 3, 4, 5-8		0.00
LDNO 0000: Non-Domestic Aggregated or CT Band 3		0, 3, 4, 5-8		0.00
LDNO 0000: Non-Domestic Aggregated or CT Band 4		0, 3, 4, 5-8		0.00
LDNO 0000: LV Site Specific No Residual		0		0.00
LDNO 0000: LV Site Specific Band 1		0		0.00
LDNO 0000: LV Site Specific Band 2		0		0.00
LDNO 0000: LV Site Specific Band 3		0		0.00
LDNO 0000: LV Site Specific Band 4		0		0.00
LDNO 0000: LV Sub Site Specific No Residual		0		0.00
LDNO 0000: LV Sub Site Specific Band 1		0		0.00
LDNO 0000: LV Sub Site Specific Band 2		0		0.00
LDNO 0000: LV Sub Site Specific Band 3		0		0.00
LDNO 0000: LV Sub Site Specific Band 4		0		0.00
LDNO 0000: HV Site Specific No Residual		0		0.00
LDNO 0000: HV Site Specific Band 1		0		0.00
LDNO 0000: HV Site Specific Band 2		0		0.00
LDNO 0000: HV Site Specific Band 3		0		0.00
LDNO 0000: HV Site Specific Band 4		0		0.00

Annex 7 – Supplier of last Resort and Eligible Bad Debt Pass-Through Costs in “NGED West Midlands Area (GSP Group _E)”

Southern Electric Power Distribution plc - Effective from 1 April 2026 - Final Supplier of Last Resort and Eligible Bad Debt Pass-Through Costs in NGED West Midlands Area (GSP Group _E)

Tariff name	Open LLFCs / DUoS Tariff IDs / LDNO unique billing identifier	PCs	Supplier of Last Resort Fixed charge adder* p/MPAN/day	Eligible Bad Debt Fixed charge adder** p/MPAN/day
Domestic Aggregated or CT with Residual	175, 341-342, EA0	0, 1, 2	0.00	0.00
Non-Domestic Aggregated or CT No Residual	E10, E15, E20, E30, E40, EA1	0, 3, 4, 5-8		0.00
Non-Domestic Aggregated or CT Band 1	E11, E16, E21, E31, E41, EA2	0, 3, 4, 5-8		0.00
Non-Domestic Aggregated or CT Band 2	E12, E17, E22, E32, E42, EA3	0, 3, 4, 5-8		0.00
Non-Domestic Aggregated or CT Band 3	E13, E18, E23, E33, E43, EA4	0, 3, 4, 5-8		0.00
Non-Domestic Aggregated or CT Band 4	E14, E19, E24, E34, E44, EA5	0, 3, 4, 5-8		0.00
LV Site Specific No Residual	E05	0		0.00
LV Site Specific Band 1	E06	0		0.00
LV Site Specific Band 2	E07	0		0.00
LV Site Specific Band 3	E08	0		0.00
LV Site Specific Band 4	E09	0		0.00
LV Sub Site Specific No Residual	E35	0		0.00
LV Sub Site Specific Band 1	E36	0		0.00
LV Sub Site Specific Band 2	E37	0		0.00
LV Sub Site Specific Band 3	E38	0		0.00
LV Sub Site Specific Band 4	E39	0		0.00
HV Site Specific No Residual	E25	0		0.00
HV Site Specific Band 1	E26	0		0.00
HV Site Specific Band 2	E27	0		0.00
HV Site Specific Band 3	E28	0		0.00
HV Site Specific Band 4	E29	0		0.00
LDNO LV: Domestic Aggregated or CT with Residual		0, 1, 2	0.00	0.00
LDNO LV: Non-Domestic Aggregated or CT No Residual		0, 3, 4, 5-8		0.00

Tariff name	Open LLFCs / DUoS Tariff IDs / LDNO unique billing identifier	PCs	Supplier of Last Resort Fixed charge adder* p/MPAN/day	Eligible Bad Debt Fixed charge adder** p/MPAN/day
LDNO LV: Non-Domestic Aggregated or CT Band 1		0, 3, 4, 5-8		0.00
LDNO LV: Non-Domestic Aggregated or CT Band 2		0, 3, 4, 5-8		0.00
LDNO LV: Non-Domestic Aggregated or CT Band 3		0, 3, 4, 5-8		0.00
LDNO LV: Non-Domestic Aggregated or CT Band 4		0, 3, 4, 5-8		0.00
LDNO LV: LV Site Specific No Residual		0		0.00
LDNO LV: LV Site Specific Band 1		0		0.00
LDNO LV: LV Site Specific Band 2		0		0.00
LDNO LV: LV Site Specific Band 3		0		0.00
LDNO LV: LV Site Specific Band 4		0		0.00
LDNO HV: Domestic Aggregated or CT with Residual		0, 1, 2	0.00	0.00
LDNO HV: Non-Domestic Aggregated or CT No Residual		0, 3, 4, 5-8		0.00
LDNO HV: Non-Domestic Aggregated or CT Band 1		0, 3, 4, 5-8		0.00
LDNO HV: Non-Domestic Aggregated or CT Band 2		0, 3, 4, 5-8		0.00
LDNO HV: Non-Domestic Aggregated or CT Band 3		0, 3, 4, 5-8		0.00
LDNO HV: Non-Domestic Aggregated or CT Band 4		0, 3, 4, 5-8		0.00
LDNO HV: LV Site Specific No Residual		0		0.00
LDNO HV: LV Site Specific Band 1		0		0.00
LDNO HV: LV Site Specific Band 2		0		0.00
LDNO HV: LV Site Specific Band 3		0		0.00
LDNO HV: LV Site Specific Band 4		0		0.00
LDNO HV: LV Sub Site Specific No Residual		0		0.00
LDNO HV: LV Sub Site Specific Band 1		0		0.00
LDNO HV: LV Sub Site Specific Band 2		0		0.00
LDNO HV: LV Sub Site Specific Band 3		0		0.00
LDNO HV: LV Sub Site Specific Band 4		0		0.00
LDNO HV: HV Site Specific No Residual		0		0.00
LDNO HV: HV Site Specific Band 1		0		0.00
LDNO HV: HV Site Specific Band 2		0		0.00

Tariff name	Open LLFCs / DUoS Tariff IDs / LDNO unique billing identifier	PCs	Supplier of Last Resort Fixed charge adder* p/MPAN/day	Eligible Bad Debt Fixed charge adder** p/MPAN/day
LDNO HV: HV Site Specific Band 3		0		0.00
LDNO HV: HV Site Specific Band 4		0		0.00
LDNO HVplus: Domestic Aggregated or CT with Residual		0, 1, 2	0.00	0.00
LDNO HVplus: Non-Domestic Aggregated or CT No Residual		0, 3, 4, 5-8		0.00
LDNO HVplus: Non-Domestic Aggregated or CT Band 1		0, 3, 4, 5-8		0.00
LDNO HVplus: Non-Domestic Aggregated or CT Band 2		0, 3, 4, 5-8		0.00
LDNO HVplus: Non-Domestic Aggregated or CT Band 3		0, 3, 4, 5-8		0.00
LDNO HVplus: Non-Domestic Aggregated or CT Band 4		0, 3, 4, 5-8		0.00
LDNO HVplus: LV Site Specific No Residual		0		0.00
LDNO HVplus: LV Site Specific Band 1		0		0.00
LDNO HVplus: LV Site Specific Band 2		0		0.00
LDNO HVplus: LV Site Specific Band 3		0		0.00
LDNO HVplus: LV Site Specific Band 4		0		0.00
LDNO HVplus: LV Sub Site Specific No Residual		0		0.00
LDNO HVplus: LV Sub Site Specific Band 1		0		0.00
LDNO HVplus: LV Sub Site Specific Band 2		0		0.00
LDNO HVplus: LV Sub Site Specific Band 3		0		0.00
LDNO HVplus: LV Sub Site Specific Band 4		0		0.00
LDNO HVplus: HV Site Specific No Residual		0		0.00
LDNO HVplus: HV Site Specific Band 1		0		0.00
LDNO HVplus: HV Site Specific Band 2		0		0.00
LDNO HVplus: HV Site Specific Band 3		0		0.00
LDNO HVplus: HV Site Specific Band 4		0		0.00
LDNO EHV: Domestic Aggregated or CT with Residual		0, 1, 2	0.00	0.00
LDNO EHV: Non-Domestic Aggregated or CT No Residual		0, 3, 4, 5-8		0.00
LDNO EHV: Non-Domestic Aggregated or CT Band 1		0, 3, 4, 5-8		0.00
LDNO EHV: Non-Domestic Aggregated or CT Band 2		0, 3, 4, 5-8		0.00
LDNO EHV: Non-Domestic Aggregated or CT Band 3		0, 3, 4, 5-8		0.00

Tariff name	Open LLFCs / DUoS Tariff IDs / LDNO unique billing identifier	PCs	Supplier of Last Resort Fixed charge adder* p/MPAN/day	Eligible Bad Debt Fixed charge adder** p/MPAN/day
LDNO EHV: Non-Domestic Aggregated or CT Band 4		0, 3, 4, 5-8		0.00
LDNO EHV: LV Site Specific No Residual		0		0.00
LDNO EHV: LV Site Specific Band 1		0		0.00
LDNO EHV: LV Site Specific Band 2		0		0.00
LDNO EHV: LV Site Specific Band 3		0		0.00
LDNO EHV: LV Site Specific Band 4		0		0.00
LDNO EHV: LV Sub Site Specific No Residual		0		0.00
LDNO EHV: LV Sub Site Specific Band 1		0		0.00
LDNO EHV: LV Sub Site Specific Band 2		0		0.00
LDNO EHV: LV Sub Site Specific Band 3		0		0.00
LDNO EHV: LV Sub Site Specific Band 4		0		0.00
LDNO EHV: HV Site Specific No Residual		0		0.00
LDNO EHV: HV Site Specific Band 1		0		0.00
LDNO EHV: HV Site Specific Band 2		0		0.00
LDNO EHV: HV Site Specific Band 3		0		0.00
LDNO EHV: HV Site Specific Band 4		0		0.00
LDNO 132kV/EHV: Domestic Aggregated or CT with Residual		0, 1, 2	0.00	0.00
LDNO 132kV/EHV: Non-Domestic Aggregated or CT No Residual		0, 3, 4, 5-8		0.00
LDNO 132kV/EHV: Non-Domestic Aggregated or CT Band 1		0, 3, 4, 5-8		0.00
LDNO 132kV/EHV: Non-Domestic Aggregated or CT Band 2		0, 3, 4, 5-8		0.00
LDNO 132kV/EHV: Non-Domestic Aggregated or CT Band 3		0, 3, 4, 5-8		0.00
LDNO 132kV/EHV: Non-Domestic Aggregated or CT Band 4		0, 3, 4, 5-8		0.00
LDNO 132kV/EHV: LV Site Specific No Residual		0		0.00
LDNO 132kV/EHV: LV Site Specific Band 1		0		0.00
LDNO 132kV/EHV: LV Site Specific Band 2		0		0.00
LDNO 132kV/EHV: LV Site Specific Band 3		0		0.00
LDNO 132kV/EHV: LV Site Specific Band 4		0		0.00
LDNO 132kV/EHV: LV Sub Site Specific No Residual		0		0.00
LDNO 132kV/EHV: LV Sub Site Specific Band 1		0		0.00
LDNO 132kV/EHV: LV Sub Site Specific Band 2		0		0.00

Tariff name	Open LLFCs / DUoS Tariff IDs / LDNO unique billing identifier	PCs	Supplier of Last Resort Fixed charge adder* p/MPAN/day	Eligible Bad Debt Fixed charge adder** p/MPAN/day
LDNO 132kV/EHV: LV Sub Site Specific Band 3		0		0.00
LDNO 132kV/EHV: LV Sub Site Specific Band 4		0		0.00
LDNO 132kV/EHV: HV Site Specific No Residual		0		0.00
LDNO 132kV/EHV: HV Site Specific Band 1		0		0.00
LDNO 132kV/EHV: HV Site Specific Band 2		0		0.00
LDNO 132kV/EHV: HV Site Specific Band 3		0		0.00
LDNO 132kV/EHV: HV Site Specific Band 4		0		0.00
LDNO 132kV: Domestic Aggregated or CT with Residual		0, 1, 2	0.00	0.00
LDNO 132kV: Non-Domestic Aggregated or CT No Residual		0, 3, 4, 5-8		0.00
LDNO 132kV: Non-Domestic Aggregated or CT Band 1		0, 3, 4, 5-8		0.00
LDNO 132kV: Non-Domestic Aggregated or CT Band 2		0, 3, 4, 5-8		0.00
LDNO 132kV: Non-Domestic Aggregated or CT Band 3		0, 3, 4, 5-8		0.00
LDNO 132kV: Non-Domestic Aggregated or CT Band 4		0, 3, 4, 5-8		0.00
LDNO 132kV: LV Site Specific No Residual		0		0.00
LDNO 132kV: LV Site Specific Band 1		0		0.00
LDNO 132kV: LV Site Specific Band 2		0		0.00
LDNO 132kV: LV Site Specific Band 3		0		0.00
LDNO 132kV: LV Site Specific Band 4		0		0.00
LDNO 132kV: LV Sub Site Specific No Residual		0		0.00
LDNO 132kV: LV Sub Site Specific Band 1		0		0.00
LDNO 132kV: LV Sub Site Specific Band 2		0		0.00
LDNO 132kV: LV Sub Site Specific Band 3		0		0.00
LDNO 132kV: LV Sub Site Specific Band 4		0		0.00
LDNO 132kV: HV Site Specific No Residual		0		0.00
LDNO 132kV: HV Site Specific Band 1		0		0.00
LDNO 132kV: HV Site Specific Band 2		0		0.00
LDNO 132kV: HV Site Specific Band 3		0		0.00
LDNO 132kV: HV Site Specific Band 4		0		0.00
LDNO 0000: Domestic Aggregated or CT with Residual		0, 1, 2	0.00	0.00
LDNO 0000: Non-Domestic Aggregated or CT No Residual		0, 3, 4, 5-8		0.00

Tariff name	Open LLFCs / DUoS Tariff IDs / LDNO unique billing identifier	PCs	Supplier of Last Resort Fixed charge adder* p/MPAN/day	Eligible Bad Debt Fixed charge adder** p/MPAN/day
LDNO 0000: Non-Domestic Aggregated or CT Band 1		0, 3, 4, 5-8		0.00
LDNO 0000: Non-Domestic Aggregated or CT Band 2		0, 3, 4, 5-8		0.00
LDNO 0000: Non-Domestic Aggregated or CT Band 3		0, 3, 4, 5-8		0.00
LDNO 0000: Non-Domestic Aggregated or CT Band 4		0, 3, 4, 5-8		0.00
LDNO 0000: LV Site Specific No Residual		0		0.00
LDNO 0000: LV Site Specific Band 1		0		0.00
LDNO 0000: LV Site Specific Band 2		0		0.00
LDNO 0000: LV Site Specific Band 3		0		0.00
LDNO 0000: LV Site Specific Band 4		0		0.00
LDNO 0000: LV Sub Site Specific No Residual		0		0.00
LDNO 0000: LV Sub Site Specific Band 1		0		0.00
LDNO 0000: LV Sub Site Specific Band 2		0		0.00
LDNO 0000: LV Sub Site Specific Band 3		0		0.00
LDNO 0000: LV Sub Site Specific Band 4		0		0.00
LDNO 0000: HV Site Specific No Residual		0		0.00
LDNO 0000: HV Site Specific Band 1		0		0.00
LDNO 0000: HV Site Specific Band 2		0		0.00
LDNO 0000: HV Site Specific Band 3		0		0.00
LDNO 0000: HV Site Specific Band 4		0		0.00

Annex 7 – Supplier of last Resort and Eligible Bad Debt Pass-Through Costs in “Northern Powergrid (Northeast) Area (GSP Group _F)”

Southern Electric Power Distribution plc - Effective from 1 April 2026 - Final Supplier of Last Resort and Eligible Bad Debt Pass-Through Costs in NPG Northeast Area (GSP Group _F)

Tariff name	Open LLFCs / DUoS Tariff IDs / LDNO unique billing identifier	PCs	Supplier of Last Resort Fixed charge adder* p/MPAN/day	Eligible Bad Debt Fixed charge adder** p/MPAN/day
Domestic Aggregated or CT with Residual	177, 179, 251-252, 351-352, 428-429, 514, 751-752, FA3, SA0	0, 1, 2	0.00	0.00
Non-Domestic Aggregated or CT No Residual	F05, F15, F20, F25, F35, F45, F50, F55, F65, F70, F75, F80, F85, R40, S05, S15, S20, S25, S35, FA4, SA1	0, 3, 4, 5-8		0.00
Non-Domestic Aggregated or CT Band 1	F06, F16, F21, F26, F36, F46, F51, F56, F66, F71, F76, F81, F86, R41, S06, S16, S21, S26, S36, FA5, SA2	0, 3, 4, 5-8		0.00
Non-Domestic Aggregated or CT Band 2	F07, F17, F22, F27, F37, F47, F52, F57, F67, F72, F77, F82, F87, R42, S07, S17, S22, S27, S37, FA6, SA3	0, 3, 4, 5-8		0.00
Non-Domestic Aggregated or CT Band 3	F08, F18, F23, F28, F38, F48, F53, F58, F68, F73, F78, F83, F88, R43, S08, S18, S23, S28, S38, FA7, SA4	0, 3, 4, 5-8		0.00
Non-Domestic Aggregated or CT Band 4	F09, F19, F24, F29, F39, F49, F54, F59, F69, F74, F79, F84, F89, R44, S09, S19, S24, S29, S39, FA8, SA5	0, 3, 4, 5-8		0.00
LV Site Specific No Residual	F10, F40, F90, S10	0		0.00
LV Site Specific Band 1	F11, F41, F91, S11	0		0.00
LV Site Specific Band 2	F12, F42, F92, S12	0		0.00
LV Site Specific Band 3	F13, F43, F93, S13	0		0.00

Tariff name	Open LLFCs / DUoS Tariff IDs / LDNO unique billing identifier	PCs	Supplier of Last Resort Fixed charge adder* p/MPAN/day	Eligible Bad Debt Fixed charge adder** p/MPAN/day
LV Site Specific Band 4	F14, F44, F94, S14	0		0.00
LV Sub Site Specific No Residual	S00	0		0.00
LV Sub Site Specific Band 1	S01	0		0.00
LV Sub Site Specific Band 2	S02	0		0.00
LV Sub Site Specific Band 3	S03	0		0.00
LV Sub Site Specific Band 4	S04	0		0.00
HV Site Specific No Residual	F30, F60, F95, S30	0		0.00
HV Site Specific Band 1	F31, F61, F96, S31	0		0.00
HV Site Specific Band 2	F32, F62, F97, S32	0		0.00
HV Site Specific Band 3	F33, F63, F98, S33	0		0.00
HV Site Specific Band 4	F34, F64, F99, S34	0		0.00
LDNO LV: Domestic Aggregated or CT with Residual		0, 1, 2	0.00	0.00
LDNO LV: Non-Domestic Aggregated or CT No Residual		0, 3, 4, 5-8		0.00
LDNO LV: Non-Domestic Aggregated or CT Band 1		0, 3, 4, 5-8		0.00
LDNO LV: Non-Domestic Aggregated or CT Band 2		0, 3, 4, 5-8		0.00
LDNO LV: Non-Domestic Aggregated or CT Band 3		0, 3, 4, 5-8		0.00
LDNO LV: Non-Domestic Aggregated or CT Band 4		0, 3, 4, 5-8		0.00
LDNO LV: LV Site Specific No Residual		0		0.00
LDNO LV: LV Site Specific Band 1		0		0.00
LDNO LV: LV Site Specific Band 2		0		0.00
LDNO LV: LV Site Specific Band 3		0		0.00
LDNO LV: LV Site Specific Band 4		0		0.00
LDNO HV: Domestic Aggregated or CT with Residual		0, 1, 2	0.00	0.00
LDNO HV: Non-Domestic Aggregated or CT No Residual		0, 3, 4, 5-8		0.00
LDNO HV: Non-Domestic Aggregated or CT Band 1		0, 3, 4, 5-8		0.00
LDNO HV: Non-Domestic Aggregated or CT Band 2		0, 3, 4, 5-8		0.00
LDNO HV: Non-Domestic Aggregated or CT Band 3		0, 3, 4, 5-8		0.00

Tariff name	Open LLFCs / DUoS Tariff IDs / LDNO unique billing identifier	PCs	Supplier of Last Resort Fixed charge adder* p/MPAN/day	Eligible Bad Debt Fixed charge adder** p/MPAN/day
LDNO HV: Non-Domestic Aggregated or CT Band 4		0, 3, 4, 5-8		0.00
LDNO HV: LV Site Specific No Residual		0		0.00
LDNO HV: LV Site Specific Band 1		0		0.00
LDNO HV: LV Site Specific Band 2		0		0.00
LDNO HV: LV Site Specific Band 3		0		0.00
LDNO HV: LV Site Specific Band 4		0		0.00
LDNO HV: LV Sub Site Specific No Residual		0		0.00
LDNO HV: LV Sub Site Specific Band 1		0		0.00
LDNO HV: LV Sub Site Specific Band 2		0		0.00
LDNO HV: LV Sub Site Specific Band 3		0		0.00
LDNO HV: LV Sub Site Specific Band 4		0		0.00
LDNO HV: HV Site Specific No Residual		0		0.00
LDNO HV: HV Site Specific Band 1		0		0.00
LDNO HV: HV Site Specific Band 2		0		0.00
LDNO HV: HV Site Specific Band 3		0		0.00
LDNO HV: HV Site Specific Band 4		0		0.00
LDNO HVplus: Domestic Aggregated or CT with Residual		0, 1, 2	0.00	0.00
LDNO HVplus: Non-Domestic Aggregated or CT No Residual		0, 3, 4, 5-8		0.00
LDNO HVplus: Non-Domestic Aggregated or CT Band 1		0, 3, 4, 5-8		0.00
LDNO HVplus: Non-Domestic Aggregated or CT Band 2		0, 3, 4, 5-8		0.00
LDNO HVplus: Non-Domestic Aggregated or CT Band 3		0, 3, 4, 5-8		0.00
LDNO HVplus: Non-Domestic Aggregated or CT Band 4		0, 3, 4, 5-8		0.00
LDNO HVplus: LV Site Specific No Residual		0		0.00
LDNO HVplus: LV Site Specific Band 1		0		0.00
LDNO HVplus: LV Site Specific Band 2		0		0.00
LDNO HVplus: LV Site Specific Band 3		0		0.00
LDNO HVplus: LV Site Specific Band 4		0		0.00
LDNO HVplus: LV Sub Site Specific No Residual		0		0.00
LDNO HVplus: LV Sub Site Specific Band 1		0		0.00
LDNO HVplus: LV Sub Site Specific Band 2		0		0.00

Tariff name	Open LLFCs / DUoS Tariff IDs / LDNO unique billing identifier	PCs	Supplier of Last Resort Fixed charge adder* p/MPAN/day	Eligible Bad Debt Fixed charge adder** p/MPAN/day
LDNO HVplus: LV Sub Site Specific Band 3		0		0.00
LDNO HVplus: LV Sub Site Specific Band 4		0		0.00
LDNO HVplus: HV Site Specific No Residual		0		0.00
LDNO HVplus: HV Site Specific Band 1		0		0.00
LDNO HVplus: HV Site Specific Band 2		0		0.00
LDNO HVplus: HV Site Specific Band 3		0		0.00
LDNO HVplus: HV Site Specific Band 4		0		0.00
LDNO EHV: Domestic Aggregated or CT with Residual		0, 1, 2	0.00	0.00
LDNO EHV: Non-Domestic Aggregated or CT No Residual		0, 3, 4, 5-8		0.00
LDNO EHV: Non-Domestic Aggregated or CT Band 1		0, 3, 4, 5-8		0.00
LDNO EHV: Non-Domestic Aggregated or CT Band 2		0, 3, 4, 5-8		0.00
LDNO EHV: Non-Domestic Aggregated or CT Band 3		0, 3, 4, 5-8		0.00
LDNO EHV: Non-Domestic Aggregated or CT Band 4		0, 3, 4, 5-8		0.00
LDNO EHV: LV Site Specific No Residual		0		0.00
LDNO EHV: LV Site Specific Band 1		0		0.00
LDNO EHV: LV Site Specific Band 2		0		0.00
LDNO EHV: LV Site Specific Band 3		0		0.00
LDNO EHV: LV Site Specific Band 4		0		0.00
LDNO EHV: LV Sub Site Specific No Residual		0		0.00
LDNO EHV: LV Sub Site Specific Band 1		0		0.00
LDNO EHV: LV Sub Site Specific Band 2		0		0.00
LDNO EHV: LV Sub Site Specific Band 3		0		0.00
LDNO EHV: LV Sub Site Specific Band 4		0		0.00
LDNO EHV: HV Site Specific No Residual		0		0.00
LDNO EHV: HV Site Specific Band 1		0		0.00
LDNO EHV: HV Site Specific Band 2		0		0.00
LDNO EHV: HV Site Specific Band 3		0		0.00
LDNO EHV: HV Site Specific Band 4		0		0.00
LDNO 132kV/EHV: Domestic Aggregated or CT with Residual		0, 1, 2	0.00	0.00
LDNO 132kV/EHV: Non-Domestic Aggregated or CT No Residual		0, 3, 4, 5-8		0.00

Tariff name	Open LLFCs / DUoS Tariff IDs / LDNO unique billing identifier	PCs	Supplier of Last Resort Fixed charge adder* p/MPAN/day	Eligible Bad Debt Fixed charge adder** p/MPAN/day
LDNO 132kV/EHV: Non-Domestic Aggregated or CT Band 1		0, 3, 4, 5-8		0.00
LDNO 132kV/EHV: Non-Domestic Aggregated or CT Band 2		0, 3, 4, 5-8		0.00
LDNO 132kV/EHV: Non-Domestic Aggregated or CT Band 3		0, 3, 4, 5-8		0.00
LDNO 132kV/EHV: Non-Domestic Aggregated or CT Band 4		0, 3, 4, 5-8		0.00
LDNO 132kV/EHV: LV Site Specific No Residual		0		0.00
LDNO 132kV/EHV: LV Site Specific Band 1		0		0.00
LDNO 132kV/EHV: LV Site Specific Band 2		0		0.00
LDNO 132kV/EHV: LV Site Specific Band 3		0		0.00
LDNO 132kV/EHV: LV Site Specific Band 4		0		0.00
LDNO 132kV/EHV: LV Sub Site Specific No Residual		0		0.00
LDNO 132kV/EHV: LV Sub Site Specific Band 1		0		0.00
LDNO 132kV/EHV: LV Sub Site Specific Band 2		0		0.00
LDNO 132kV/EHV: LV Sub Site Specific Band 3		0		0.00
LDNO 132kV/EHV: LV Sub Site Specific Band 4		0		0.00
LDNO 132kV/EHV: HV Site Specific No Residual		0		0.00
LDNO 132kV/EHV: HV Site Specific Band 1		0		0.00
LDNO 132kV/EHV: HV Site Specific Band 2		0		0.00
LDNO 132kV/EHV: HV Site Specific Band 3		0		0.00
LDNO 132kV/EHV: HV Site Specific Band 4		0		0.00
LDNO 132kV: Domestic Aggregated or CT with Residual		0, 1, 2	0.00	0.00
LDNO 132kV: Non-Domestic Aggregated or CT No Residual		0, 3, 4, 5-8		0.00
LDNO 132kV: Non-Domestic Aggregated or CT Band 1		0, 3, 4, 5-8		0.00
LDNO 132kV: Non-Domestic Aggregated or CT Band 2		0, 3, 4, 5-8		0.00
LDNO 132kV: Non-Domestic Aggregated or CT Band 3		0, 3, 4, 5-8		0.00
LDNO 132kV: Non-Domestic Aggregated or CT Band 4		0, 3, 4, 5-8		0.00
LDNO 132kV: LV Site Specific No Residual		0		0.00
LDNO 132kV: LV Site Specific Band 1		0		0.00
LDNO 132kV: LV Site Specific Band 2		0		0.00

Tariff name	Open LLFCs / DUoS Tariff IDs / LDNO unique billing identifier	PCs	Supplier of Last Resort Fixed charge adder* p/MPAN/day	Eligible Bad Debt Fixed charge adder** p/MPAN/day
LDNO 132kV: LV Site Specific Band 3		0		0.00
LDNO 132kV: LV Site Specific Band 4		0		0.00
LDNO 132kV: LV Sub Site Specific No Residual		0		0.00
LDNO 132kV: LV Sub Site Specific Band 1		0		0.00
LDNO 132kV: LV Sub Site Specific Band 2		0		0.00
LDNO 132kV: LV Sub Site Specific Band 3		0		0.00
LDNO 132kV: LV Sub Site Specific Band 4		0		0.00
LDNO 132kV: HV Site Specific No Residual		0		0.00
LDNO 132kV: HV Site Specific Band 1		0		0.00
LDNO 132kV: HV Site Specific Band 2		0		0.00
LDNO 132kV: HV Site Specific Band 3		0		0.00
LDNO 132kV: HV Site Specific Band 4		0		0.00
LDNO 0000: Domestic Aggregated or CT with Residual		0, 1, 2	0.00	0.00
LDNO 0000: Non-Domestic Aggregated or CT No Residual		0, 3, 4, 5-8		0.00
LDNO 0000: Non-Domestic Aggregated or CT Band 1		0, 3, 4, 5-8		0.00
LDNO 0000: Non-Domestic Aggregated or CT Band 2		0, 3, 4, 5-8		0.00
LDNO 0000: Non-Domestic Aggregated or CT Band 3		0, 3, 4, 5-8		0.00
LDNO 0000: Non-Domestic Aggregated or CT Band 4		0, 3, 4, 5-8		0.00
LDNO 0000: LV Site Specific No Residual		0		0.00
LDNO 0000: LV Site Specific Band 1		0		0.00
LDNO 0000: LV Site Specific Band 2		0		0.00
LDNO 0000: LV Site Specific Band 3		0		0.00
LDNO 0000: LV Site Specific Band 4		0		0.00
LDNO 0000: LV Sub Site Specific No Residual		0		0.00
LDNO 0000: LV Sub Site Specific Band 1		0		0.00
LDNO 0000: LV Sub Site Specific Band 2		0		0.00
LDNO 0000: LV Sub Site Specific Band 3		0		0.00
LDNO 0000: LV Sub Site Specific Band 4		0		0.00
LDNO 0000: HV Site Specific No Residual		0		0.00
LDNO 0000: HV Site Specific Band 1		0		0.00
LDNO 0000: HV Site Specific Band 2		0		0.00

Tariff name	Open LLFCs / DUoS Tariff IDs / LDNO unique billing identifier	PCs	Supplier of Last Resort Fixed charge adder* p/MPAN/day	Eligible Bad Debt Fixed charge adder** p/MPAN/day
LDNO 0000: HV Site Specific Band 3		0		0.00
LDNO 0000: HV Site Specific Band 4		0		0.00

Annex 7 – Supplier of last Resort and Eligible Bad Debt Pass-Through Costs in “Electricity North West Area (GSP Group _G)”

Southern Electric Power Distribution plc - Effective from 1 April 2026 - Final Supplier of Last Resort and Eligible Bad Debt Pass-Through Costs in Electricity North West Area (GSP Group _G)

Tariff name	Open LLFCs / DUoS Tariff IDs / LDNO unique billing identifier	PCs	Supplier of Last Resort Fixed charge adder* p/MPAN/day	Eligible Bad Debt Fixed charge adder** p/MPAN/day
Domestic Aggregated or CT with Residual	181, 261-262, 361-362, 480-481, 516, GA2	0, 1, 2	0.00	0.00
Non-Domestic Aggregated or CT No Residual	GA0, G10, G15, G20, G35, G40, G45, G55, G65, G70, G75, G90, GA3	0, 3, 4, 5-8		0.00
Non-Domestic Aggregated or CT Band 1	GA1, G11, G16, G21, G36, G41, G46, G56, G66, G71, G76, G91, GA4	0, 3, 4, 5-8		0.00
Non-Domestic Aggregated or CT Band 2	G02, G12, G17, G22, G37, G42, G47, G57, G67, G72, G77, G92, GA5	0, 3, 4, 5-8		0.00
Non-Domestic Aggregated or CT Band 3	G03, G13, G18, G23, G38, G43, G48, G58, G68, G73, G78, G93, GA6	0, 3, 4, 5-8		0.00
Non-Domestic Aggregated or CT Band 4	G04, G14, G19, G24, G39, G44, G49, G59, G69, G74, G79, G94, GA7	0, 3, 4, 5-8		0.00
LV Site Specific No Residual	G05, G30, G80	0		0.00
LV Site Specific Band 1	G06, G31, G81	0		0.00
LV Site Specific Band 2	G07, G32, G82	0		0.00
LV Site Specific Band 3	G08, G33, G83	0		0.00
LV Site Specific Band 4	G09, G34, G84	0		0.00
LV Sub Site Specific No Residual	G60, G95	0		0.00
LV Sub Site Specific Band 1	G61, G96	0		0.00
LV Sub Site Specific Band 2	G62, G97	0		0.00
LV Sub Site Specific Band 3	G63, G98	0		0.00
LV Sub Site Specific Band 4	G64, G99	0		0.00
HV Site Specific No Residual	G25, G50, G85	0		0.00
HV Site Specific Band 1	G26, G51, G86	0		0.00
HV Site Specific Band 2	G27, G52, G87	0		0.00
HV Site Specific Band 3	G28, G53, G88	0		0.00

Tariff name	Open LLCs / DUoS Tariff IDs / LDNO unique billing identifier	PCs	Supplier of Last Resort Fixed charge adder* p/MPAN/day	Eligible Bad Debt Fixed charge adder** p/MPAN/day
HV Site Specific Band 4	G29, G54, G89	0		0.00
LDNO LV: Domestic Aggregated or CT with Residual		0, 1, 2	0.00	0.00
LDNO LV: Non-Domestic Aggregated or CT No Residual		0, 3, 4, 5-8		0.00
LDNO LV: Non-Domestic Aggregated or CT Band 1		0, 3, 4, 5-8		0.00
LDNO LV: Non-Domestic Aggregated or CT Band 2		0, 3, 4, 5-8		0.00
LDNO LV: Non-Domestic Aggregated or CT Band 3		0, 3, 4, 5-8		0.00
LDNO LV: Non-Domestic Aggregated or CT Band 4		0, 3, 4, 5-8		0.00
LDNO LV: LV Site Specific No Residual		0		0.00
LDNO LV: LV Site Specific Band 1		0		0.00
LDNO LV: LV Site Specific Band 2		0		0.00
LDNO LV: LV Site Specific Band 3		0		0.00
LDNO LV: LV Site Specific Band 4		0		0.00
LDNO HV: Domestic Aggregated or CT with Residual		0, 1, 2	0.00	0.00
LDNO HV: Non-Domestic Aggregated or CT No Residual		0, 3, 4, 5-8		0.00
LDNO HV: Non-Domestic Aggregated or CT Band 1		0, 3, 4, 5-8		0.00
LDNO HV: Non-Domestic Aggregated or CT Band 2		0, 3, 4, 5-8		0.00
LDNO HV: Non-Domestic Aggregated or CT Band 3		0, 3, 4, 5-8		0.00
LDNO HV: Non-Domestic Aggregated or CT Band 4		0, 3, 4, 5-8		0.00
LDNO HV: LV Site Specific No Residual		0		0.00
LDNO HV: LV Site Specific Band 1		0		0.00
LDNO HV: LV Site Specific Band 2		0		0.00
LDNO HV: LV Site Specific Band 3		0		0.00
LDNO HV: LV Site Specific Band 4		0		0.00
LDNO HV: LV Sub Site Specific No Residual		0		0.00
LDNO HV: LV Sub Site Specific Band 1		0		0.00
LDNO HV: LV Sub Site Specific Band 2		0		0.00
LDNO HV: LV Sub Site Specific Band 3		0		0.00

Tariff name	Open LLFCs / DUoS Tariff IDs / LDNO unique billing identifier	PCs	Supplier of Last Resort Fixed charge adder* p/MPAN/day	Eligible Bad Debt Fixed charge adder** p/MPAN/day
LDNO HV: LV Sub Site Specific Band 4		0		0.00
LDNO HV: HV Site Specific No Residual		0		0.00
LDNO HV: HV Site Specific Band 1		0		0.00
LDNO HV: HV Site Specific Band 2		0		0.00
LDNO HV: HV Site Specific Band 3		0		0.00
LDNO HV: HV Site Specific Band 4		0		0.00
LDNO HVplus: Domestic Aggregated or CT with Residual		0, 1, 2	0.00	0.00
LDNO HVplus: Non-Domestic Aggregated or CT No Residual		0, 3, 4, 5-8		0.00
LDNO HVplus: Non-Domestic Aggregated or CT Band 1		0, 3, 4, 5-8		0.00
LDNO HVplus: Non-Domestic Aggregated or CT Band 2		0, 3, 4, 5-8		0.00
LDNO HVplus: Non-Domestic Aggregated or CT Band 3		0, 3, 4, 5-8		0.00
LDNO HVplus: Non-Domestic Aggregated or CT Band 4		0, 3, 4, 5-8		0.00
LDNO HVplus: LV Site Specific No Residual		0		0.00
LDNO HVplus: LV Site Specific Band 1		0		0.00
LDNO HVplus: LV Site Specific Band 2		0		0.00
LDNO HVplus: LV Site Specific Band 3		0		0.00
LDNO HVplus: LV Site Specific Band 4		0		0.00
LDNO HVplus: LV Sub Site Specific No Residual		0		0.00
LDNO HVplus: LV Sub Site Specific Band 1		0		0.00
LDNO HVplus: LV Sub Site Specific Band 2		0		0.00
LDNO HVplus: LV Sub Site Specific Band 3		0		0.00
LDNO HVplus: LV Sub Site Specific Band 4		0		0.00
LDNO HVplus: HV Site Specific No Residual		0		0.00
LDNO HVplus: HV Site Specific Band 1		0		0.00
LDNO HVplus: HV Site Specific Band 2		0		0.00
LDNO HVplus: HV Site Specific Band 3		0		0.00
LDNO HVplus: HV Site Specific Band 4		0		0.00
LDNO EHV: Domestic Aggregated or CT with Residual		0, 1, 2	0.00	0.00
LDNO EHV: Non-Domestic Aggregated or CT No Residual		0, 3, 4, 5-8		0.00

Tariff name	Open LLCs / DUoS Tariff IDs / LDNO unique billing identifier	PCs	Supplier of Last Resort Fixed charge adder* p/MPAN/day	Eligible Bad Debt Fixed charge adder** p/MPAN/day
LDNO EHV: Non-Domestic Aggregated or CT Band 1		0, 3, 4, 5-8		0.00
LDNO EHV: Non-Domestic Aggregated or CT Band 2		0, 3, 4, 5-8		0.00
LDNO EHV: Non-Domestic Aggregated or CT Band 3		0, 3, 4, 5-8		0.00
LDNO EHV: Non-Domestic Aggregated or CT Band 4		0, 3, 4, 5-8		0.00
LDNO EHV: LV Site Specific No Residual		0		0.00
LDNO EHV: LV Site Specific Band 1		0		0.00
LDNO EHV: LV Site Specific Band 2		0		0.00
LDNO EHV: LV Site Specific Band 3		0		0.00
LDNO EHV: LV Site Specific Band 4		0		0.00
LDNO EHV: LV Sub Site Specific No Residual		0		0.00
LDNO EHV: LV Sub Site Specific Band 1		0		0.00
LDNO EHV: LV Sub Site Specific Band 2		0		0.00
LDNO EHV: LV Sub Site Specific Band 3		0		0.00
LDNO EHV: LV Sub Site Specific Band 4		0		0.00
LDNO EHV: HV Site Specific No Residual		0		0.00
LDNO EHV: HV Site Specific Band 1		0		0.00
LDNO EHV: HV Site Specific Band 2		0		0.00
LDNO EHV: HV Site Specific Band 3		0		0.00
LDNO EHV: HV Site Specific Band 4		0		0.00
LDNO 132kV/EHV: Domestic Aggregated or CT with Residual		0, 1, 2	0.00	0.00
LDNO 132kV/EHV: Non-Domestic Aggregated or CT No Residual		0, 3, 4, 5-8		0.00
LDNO 132kV/EHV: Non-Domestic Aggregated or CT Band 1		0, 3, 4, 5-8		0.00
LDNO 132kV/EHV: Non-Domestic Aggregated or CT Band 2		0, 3, 4, 5-8		0.00
LDNO 132kV/EHV: Non-Domestic Aggregated or CT Band 3		0, 3, 4, 5-8		0.00
LDNO 132kV/EHV: Non-Domestic Aggregated or CT Band 4		0, 3, 4, 5-8		0.00
LDNO 132kV/EHV: LV Site Specific No Residual		0		0.00
LDNO 132kV/EHV: LV Site Specific Band 1		0		0.00
LDNO 132kV/EHV: LV Site Specific Band 2		0		0.00

Tariff name	Open LFCs / DUoS Tariff IDs / LDNO unique billing identifier	PCs	Supplier of Last Resort Fixed charge adder* p/MPAN/day	Eligible Bad Debt Fixed charge adder** p/MPAN/day
LDNO 132kV/EHV: LV Site Specific Band 3		0		0.00
LDNO 132kV/EHV: LV Site Specific Band 4		0		0.00
LDNO 132kV/EHV: LV Sub Site Specific No Residual		0		0.00
LDNO 132kV/EHV: LV Sub Site Specific Band 1		0		0.00
LDNO 132kV/EHV: LV Sub Site Specific Band 2		0		0.00
LDNO 132kV/EHV: LV Sub Site Specific Band 3		0		0.00
LDNO 132kV/EHV: LV Sub Site Specific Band 4		0		0.00
LDNO 132kV/EHV: HV Site Specific No Residual		0		0.00
LDNO 132kV/EHV: HV Site Specific Band 1		0		0.00
LDNO 132kV/EHV: HV Site Specific Band 2		0		0.00
LDNO 132kV/EHV: HV Site Specific Band 3		0		0.00
LDNO 132kV/EHV: HV Site Specific Band 4		0		0.00
LDNO 132kV: Domestic Aggregated or CT with Residual		0, 1, 2	0.00	0.00
LDNO 132kV: Non-Domestic Aggregated or CT No Residual		0, 3, 4, 5-8		0.00
LDNO 132kV: Non-Domestic Aggregated or CT Band 1		0, 3, 4, 5-8		0.00
LDNO 132kV: Non-Domestic Aggregated or CT Band 2		0, 3, 4, 5-8		0.00
LDNO 132kV: Non-Domestic Aggregated or CT Band 3		0, 3, 4, 5-8		0.00
LDNO 132kV: Non-Domestic Aggregated or CT Band 4		0, 3, 4, 5-8		0.00
LDNO 132kV: LV Site Specific No Residual		0		0.00
LDNO 132kV: LV Site Specific Band 1		0		0.00
LDNO 132kV: LV Site Specific Band 2		0		0.00
LDNO 132kV: LV Site Specific Band 3		0		0.00
LDNO 132kV: LV Site Specific Band 4		0		0.00
LDNO 132kV: LV Sub Site Specific No Residual		0		0.00
LDNO 132kV: LV Sub Site Specific Band 1		0		0.00
LDNO 132kV: LV Sub Site Specific Band 2		0		0.00
LDNO 132kV: LV Sub Site Specific Band 3		0		0.00
LDNO 132kV: LV Sub Site Specific Band 4		0		0.00
LDNO 132kV: HV Site Specific No Residual		0		0.00
LDNO 132kV: HV Site Specific Band 1		0		0.00
LDNO 132kV: HV Site Specific Band 2		0		0.00

Tariff name	Open LLFCs / DUoS Tariff IDs / LDNO unique billing identifier	PCs	Supplier of Last Resort Fixed charge adder* p/MPAN/day	Eligible Bad Debt Fixed charge adder** p/MPAN/day
LDNO 132kV: HV Site Specific Band 3		0		0.00
LDNO 132kV: HV Site Specific Band 4		0		0.00
LDNO 0000: Domestic Aggregated or CT with Residual		0, 1, 2	0.00	0.00
LDNO 0000: Non-Domestic Aggregated or CT No Residual		0, 3, 4, 5-8		0.00
LDNO 0000: Non-Domestic Aggregated or CT Band 1		0, 3, 4, 5-8		0.00
LDNO 0000: Non-Domestic Aggregated or CT Band 2		0, 3, 4, 5-8		0.00
LDNO 0000: Non-Domestic Aggregated or CT Band 3		0, 3, 4, 5-8		0.00
LDNO 0000: Non-Domestic Aggregated or CT Band 4		0, 3, 4, 5-8		0.00
LDNO 0000: LV Site Specific No Residual		0		0.00
LDNO 0000: LV Site Specific Band 1		0		0.00
LDNO 0000: LV Site Specific Band 2		0		0.00
LDNO 0000: LV Site Specific Band 3		0		0.00
LDNO 0000: LV Site Specific Band 4		0		0.00
LDNO 0000: LV Sub Site Specific No Residual		0		0.00
LDNO 0000: LV Sub Site Specific Band 1		0		0.00
LDNO 0000: LV Sub Site Specific Band 2		0		0.00
LDNO 0000: LV Sub Site Specific Band 3		0		0.00
LDNO 0000: LV Sub Site Specific Band 4		0		0.00
LDNO 0000: HV Site Specific No Residual		0		0.00
LDNO 0000: HV Site Specific Band 1		0		0.00
LDNO 0000: HV Site Specific Band 2		0		0.00
LDNO 0000: HV Site Specific Band 3		0		0.00
LDNO 0000: HV Site Specific Band 4		0		0.00

Annex 7 – Supplier of last Resort and Eligible Bad Debt Pass-Through Costs in “South Eastern Power Networks Area (GSP Group _J)”

Southern Electric Power Distribution plc - Effective from 1 April 2026 - Final Supplier of Last Resort and Eligible Bad Debt Pass-Through Costs in UKPN SPN Area (GSP Group _J)

Tariff name	Open LLFCs / DUoS Tariff IDs / LDNO unique billing identifier	PCs	Supplier of Last Resort Fixed charge adder* p/MPAN/day	Eligible Bad Debt Fixed charge adder** p/MPAN/day
Domestic Aggregated or CT with Residual	183, 371-372, 471-472, JA0	0, 1, 2	0.00	0.00
Non-Domestic Aggregated or CT No Residual	J10, J15, J20, J30, J40, J45, J50, JA1	0, 3, 4, 5-8		0.00
Non-Domestic Aggregated or CT Band 1	J11, J16, J21, J31, J41, J46, J51, JA2	0, 3, 4, 5-8		0.00
Non-Domestic Aggregated or CT Band 2	J12, J17, J22, J32, J42, J47, J52, JA3	0, 3, 4, 5-8		0.00
Non-Domestic Aggregated or CT Band 3	J13, J18, J23, J33, J43, J48, J53, JA4	0, 3, 4, 5-8		0.00
Non-Domestic Aggregated or CT Band 4	J14, J19, J24, J34, J44, J49, J54, JA5	0, 3, 4, 5-8		0.00
LV Site Specific No Residual	J05	0		0.00
LV Site Specific Band 1	J06	0		0.00
LV Site Specific Band 2	J07	0		0.00
LV Site Specific Band 3	J08	0		0.00
LV Site Specific Band 4	J09	0		0.00
LV Sub Site Specific No Residual	J35	0		0.00
LV Sub Site Specific Band 1	J36	0		0.00
LV Sub Site Specific Band 2	J37	0		0.00
LV Sub Site Specific Band 3	J38	0		0.00
LV Sub Site Specific Band 4	J39	0		0.00
HV Site Specific No Residual	J25	0		0.00
HV Site Specific Band 1	J26	0		0.00
HV Site Specific Band 2	J27	0		0.00
HV Site Specific Band 3	J28	0		0.00
HV Site Specific Band 4	J29	0		0.00
LDNO LV: Domestic Aggregated or CT with Residual		0, 1, 2	0.00	0.00
LDNO LV: Non-Domestic Aggregated or CT No Residual		0, 3, 4, 5-8		0.00

Tariff name	Open LLFCs / DUoS Tariff IDs / LDNO unique billing identifier	PCs	Supplier of Last Resort Fixed charge adder* p/MPAN/day	Eligible Bad Debt Fixed charge adder** p/MPAN/day
LDNO LV: Non-Domestic Aggregated or CT Band 1		0, 3, 4, 5-8		0.00
LDNO LV: Non-Domestic Aggregated or CT Band 2		0, 3, 4, 5-8		0.00
LDNO LV: Non-Domestic Aggregated or CT Band 3		0, 3, 4, 5-8		0.00
LDNO LV: Non-Domestic Aggregated or CT Band 4		0, 3, 4, 5-8		0.00
LDNO LV: LV Site Specific No Residual		0		0.00
LDNO LV: LV Site Specific Band 1		0		0.00
LDNO LV: LV Site Specific Band 2		0		0.00
LDNO LV: LV Site Specific Band 3		0		0.00
LDNO LV: LV Site Specific Band 4		0		0.00
LDNO HV: Domestic Aggregated or CT with Residual		0, 1, 2	0.00	0.00
LDNO HV: Non-Domestic Aggregated or CT No Residual		0, 3, 4, 5-8		0.00
LDNO HV: Non-Domestic Aggregated or CT Band 1		0, 3, 4, 5-8		0.00
LDNO HV: Non-Domestic Aggregated or CT Band 2		0, 3, 4, 5-8		0.00
LDNO HV: Non-Domestic Aggregated or CT Band 3		0, 3, 4, 5-8		0.00
LDNO HV: Non-Domestic Aggregated or CT Band 4		0, 3, 4, 5-8		0.00
LDNO HV: LV Site Specific No Residual		0		0.00
LDNO HV: LV Site Specific Band 1		0		0.00
LDNO HV: LV Site Specific Band 2		0		0.00
LDNO HV: LV Site Specific Band 3		0		0.00
LDNO HV: LV Site Specific Band 4		0		0.00
LDNO HV: LV Sub Site Specific No Residual		0		0.00
LDNO HV: LV Sub Site Specific Band 1		0		0.00
LDNO HV: LV Sub Site Specific Band 2		0		0.00
LDNO HV: LV Sub Site Specific Band 3		0		0.00
LDNO HV: LV Sub Site Specific Band 4		0		0.00
LDNO HV: HV Site Specific No Residual		0		0.00
LDNO HV: HV Site Specific Band 1		0		0.00
LDNO HV: HV Site Specific Band 2		0		0.00

Tariff name	Open LLFCs / DUoS Tariff IDs / LDNO unique billing identifier	PCs	Supplier of Last Resort Fixed charge adder* p/MPAN/day	Eligible Bad Debt Fixed charge adder** p/MPAN/day
LDNO HV: HV Site Specific Band 3		0		0.00
LDNO HV: HV Site Specific Band 4		0		0.00
LDNO HVplus: Domestic Aggregated or CT with Residual		0, 1, 2	0.00	0.00
LDNO HVplus: Non-Domestic Aggregated or CT No Residual		0, 3, 4, 5-8		0.00
LDNO HVplus: Non-Domestic Aggregated or CT Band 1		0, 3, 4, 5-8		0.00
LDNO HVplus: Non-Domestic Aggregated or CT Band 2		0, 3, 4, 5-8		0.00
LDNO HVplus: Non-Domestic Aggregated or CT Band 3		0, 3, 4, 5-8		0.00
LDNO HVplus: Non-Domestic Aggregated or CT Band 4		0, 3, 4, 5-8		0.00
LDNO HVplus: LV Site Specific No Residual		0		0.00
LDNO HVplus: LV Site Specific Band 1		0		0.00
LDNO HVplus: LV Site Specific Band 2		0		0.00
LDNO HVplus: LV Site Specific Band 3		0		0.00
LDNO HVplus: LV Site Specific Band 4		0		0.00
LDNO HVplus: LV Sub Site Specific No Residual		0		0.00
LDNO HVplus: LV Sub Site Specific Band 1		0		0.00
LDNO HVplus: LV Sub Site Specific Band 2		0		0.00
LDNO HVplus: LV Sub Site Specific Band 3		0		0.00
LDNO HVplus: LV Sub Site Specific Band 4		0		0.00
LDNO HVplus: HV Site Specific No Residual		0		0.00
LDNO HVplus: HV Site Specific Band 1		0		0.00
LDNO HVplus: HV Site Specific Band 2		0		0.00
LDNO HVplus: HV Site Specific Band 3		0		0.00
LDNO HVplus: HV Site Specific Band 4		0		0.00
LDNO EHV: Domestic Aggregated or CT with Residual		0, 1, 2	0.00	0.00
LDNO EHV: Non-Domestic Aggregated or CT No Residual		0, 3, 4, 5-8		0.00
LDNO EHV: Non-Domestic Aggregated or CT Band 1		0, 3, 4, 5-8		0.00
LDNO EHV: Non-Domestic Aggregated or CT Band 2		0, 3, 4, 5-8		0.00
LDNO EHV: Non-Domestic Aggregated or CT Band 3		0, 3, 4, 5-8		0.00

Tariff name	Open LLFCs / DUoS Tariff IDs / LDNO unique billing identifier	PCs	Supplier of Last Resort Fixed charge adder* p/MPAN/day	Eligible Bad Debt Fixed charge adder** p/MPAN/day
LDNO EHV: Non-Domestic Aggregated or CT Band 4		0, 3, 4, 5-8		0.00
LDNO EHV: LV Site Specific No Residual		0		0.00
LDNO EHV: LV Site Specific Band 1		0		0.00
LDNO EHV: LV Site Specific Band 2		0		0.00
LDNO EHV: LV Site Specific Band 3		0		0.00
LDNO EHV: LV Site Specific Band 4		0		0.00
LDNO EHV: LV Sub Site Specific No Residual		0		0.00
LDNO EHV: LV Sub Site Specific Band 1		0		0.00
LDNO EHV: LV Sub Site Specific Band 2		0		0.00
LDNO EHV: LV Sub Site Specific Band 3		0		0.00
LDNO EHV: LV Sub Site Specific Band 4		0		0.00
LDNO EHV: HV Site Specific No Residual		0		0.00
LDNO EHV: HV Site Specific Band 1		0		0.00
LDNO EHV: HV Site Specific Band 2		0		0.00
LDNO EHV: HV Site Specific Band 3		0		0.00
LDNO EHV: HV Site Specific Band 4		0		0.00
LDNO 132kV/EHV: Domestic Aggregated or CT with Residual		0, 1, 2	0.00	0.00
LDNO 132kV/EHV: Non-Domestic Aggregated or CT No Residual		0, 3, 4, 5-8		0.00
LDNO 132kV/EHV: Non-Domestic Aggregated or CT Band 1		0, 3, 4, 5-8		0.00
LDNO 132kV/EHV: Non-Domestic Aggregated or CT Band 2		0, 3, 4, 5-8		0.00
LDNO 132kV/EHV: Non-Domestic Aggregated or CT Band 3		0, 3, 4, 5-8		0.00
LDNO 132kV/EHV: Non-Domestic Aggregated or CT Band 4		0, 3, 4, 5-8		0.00
LDNO 132kV/EHV: LV Site Specific No Residual		0		0.00
LDNO 132kV/EHV: LV Site Specific Band 1		0		0.00
LDNO 132kV/EHV: LV Site Specific Band 2		0		0.00
LDNO 132kV/EHV: LV Site Specific Band 3		0		0.00
LDNO 132kV/EHV: LV Site Specific Band 4		0		0.00
LDNO 132kV/EHV: LV Sub Site Specific No Residual		0		0.00
LDNO 132kV/EHV: LV Sub Site Specific Band 1		0		0.00
LDNO 132kV/EHV: LV Sub Site Specific Band 2		0		0.00

Tariff name	Open LLFCs / DUoS Tariff IDs / LDNO unique billing identifier	PCs	Supplier of Last Resort Fixed charge adder* p/MPAN/day	Eligible Bad Debt Fixed charge adder** p/MPAN/day
LDNO 132kV/EHV: LV Sub Site Specific Band 3		0		0.00
LDNO 132kV/EHV: LV Sub Site Specific Band 4		0		0.00
LDNO 132kV/EHV: HV Site Specific No Residual		0		0.00
LDNO 132kV/EHV: HV Site Specific Band 1		0		0.00
LDNO 132kV/EHV: HV Site Specific Band 2		0		0.00
LDNO 132kV/EHV: HV Site Specific Band 3		0		0.00
LDNO 132kV/EHV: HV Site Specific Band 4		0		0.00
LDNO 132kV: Domestic Aggregated or CT with Residual		0, 1, 2	0.00	0.00
LDNO 132kV: Non-Domestic Aggregated or CT No Residual		0, 3, 4, 5-8		0.00
LDNO 132kV: Non-Domestic Aggregated or CT Band 1		0, 3, 4, 5-8		0.00
LDNO 132kV: Non-Domestic Aggregated or CT Band 2		0, 3, 4, 5-8		0.00
LDNO 132kV: Non-Domestic Aggregated or CT Band 3		0, 3, 4, 5-8		0.00
LDNO 132kV: Non-Domestic Aggregated or CT Band 4		0, 3, 4, 5-8		0.00
LDNO 132kV: LV Site Specific No Residual		0		0.00
LDNO 132kV: LV Site Specific Band 1		0		0.00
LDNO 132kV: LV Site Specific Band 2		0		0.00
LDNO 132kV: LV Site Specific Band 3		0		0.00
LDNO 132kV: LV Site Specific Band 4		0		0.00
LDNO 132kV: LV Sub Site Specific No Residual		0		0.00
LDNO 132kV: LV Sub Site Specific Band 1		0		0.00
LDNO 132kV: LV Sub Site Specific Band 2		0		0.00
LDNO 132kV: LV Sub Site Specific Band 3		0		0.00
LDNO 132kV: LV Sub Site Specific Band 4		0		0.00
LDNO 132kV: HV Site Specific No Residual		0		0.00
LDNO 132kV: HV Site Specific Band 1		0		0.00
LDNO 132kV: HV Site Specific Band 2		0		0.00
LDNO 132kV: HV Site Specific Band 3		0		0.00
LDNO 132kV: HV Site Specific Band 4		0		0.00
LDNO 0000: Domestic Aggregated or CT with Residual		0, 1, 2	0.00	0.00
LDNO 0000: Non-Domestic Aggregated or CT No Residual		0, 3, 4, 5-8		0.00

Tariff name	Open LLFCs / DUoS Tariff IDs / LDNO unique billing identifier	PCs	Supplier of Last Resort Fixed charge adder* p/MPAN/day	Eligible Bad Debt Fixed charge adder** p/MPAN/day
LDNO 0000: Non-Domestic Aggregated or CT Band 1		0, 3, 4, 5-8		0.00
LDNO 0000: Non-Domestic Aggregated or CT Band 2		0, 3, 4, 5-8		0.00
LDNO 0000: Non-Domestic Aggregated or CT Band 3		0, 3, 4, 5-8		0.00
LDNO 0000: Non-Domestic Aggregated or CT Band 4		0, 3, 4, 5-8		0.00
LDNO 0000: LV Site Specific No Residual		0		0.00
LDNO 0000: LV Site Specific Band 1		0		0.00
LDNO 0000: LV Site Specific Band 2		0		0.00
LDNO 0000: LV Site Specific Band 3		0		0.00
LDNO 0000: LV Site Specific Band 4		0		0.00
LDNO 0000: LV Sub Site Specific No Residual		0		0.00
LDNO 0000: LV Sub Site Specific Band 1		0		0.00
LDNO 0000: LV Sub Site Specific Band 2		0		0.00
LDNO 0000: LV Sub Site Specific Band 3		0		0.00
LDNO 0000: LV Sub Site Specific Band 4		0		0.00
LDNO 0000: HV Site Specific No Residual		0		0.00
LDNO 0000: HV Site Specific Band 1		0		0.00
LDNO 0000: HV Site Specific Band 2		0		0.00
LDNO 0000: HV Site Specific Band 3		0		0.00
LDNO 0000: HV Site Specific Band 4		0		0.00

Annex 7 – Supplier of last Resort and Eligible Bad Debt Pass-Through Costs in “NGED South Wales Area (GSP Group _K)”

Southern Electric Power Distribution plc - Effective from 1 April 2026 - Final Supplier of Last Resort and Eligible Bad Debt Pass-Through Costs in NGED South Wales Area (GSP Group _K)

Tariff name	Open LLFCs / DUoS Tariff IDs / LDNO unique billing identifier	PCs	Supplier of Last Resort Fixed charge adder* p/MPAN/day	Eligible Bad Debt Fixed charge adder** p/MPAN/day
Domestic Aggregated or CT with Residual	81-82, 91-92, 98-99, 185, 291-292, 518, K04, KA0	0, 1, 2	0.00	0.00
Non-Domestic Aggregated or CT No Residual	K10, K30, K35, K40, K50, K60, K65, K70, K80, K90, K95, R45, R50, KA1	0, 3, 4, 5-8		0.00
Non-Domestic Aggregated or CT Band 1	K11, K31, K36, K41, K51, K61, K66, K71, K81, K91, K96, R46, R51, KA2	0, 3, 4, 5-8		0.00
Non-Domestic Aggregated or CT Band 2	K12, K32, K37, K42, K52, K62, K67, K72, K82, K92, K97, R47, R52, KA3	0, 3, 4, 5-8		0.00
Non-Domestic Aggregated or CT Band 3	K13, K33, K38, K43, K53, K63, K68, K73, K83, K93, K98, R48, R53, KA4	0, 3, 4, 5-8		0.00
Non-Domestic Aggregated or CT Band 4	K14, K34, K39, K44, K54, K64, K69, K74, K84, K94, K99, R49, R54, KA5	0, 3, 4, 5-8		0.00
LV Site Specific No Residual	K15, K25, K55	0		0.00
LV Site Specific Band 1	K16, K26, K56	0		0.00
LV Site Specific Band 2	K17, K27, K57	0		0.00
LV Site Specific Band 3	K18, K28, K58	0		0.00
LV Site Specific Band 4	K19, K29, K59	0		0.00
LV Sub Site Specific No Residual	K85	0		0.00
LV Sub Site Specific Band 1	K86	0		0.00
LV Sub Site Specific Band 2	K87	0		0.00
LV Sub Site Specific Band 3	K88	0		0.00
LV Sub Site Specific Band 4	K89	0		0.00
HV Site Specific No Residual	K20, K45, K75	0		0.00
HV Site Specific Band 1	K21, K46, K76	0		0.00
HV Site Specific Band 2	K22, K47, K77	0		0.00

Tariff name	Open LLFCs / DUoS Tariff IDs / LDNO unique billing identifier	PCs	Supplier of Last Resort Fixed charge adder* p/MPAN/day	Eligible Bad Debt Fixed charge adder** p/MPAN/day
HV Site Specific Band 3	K23, K48, K78	0		0.00
HV Site Specific Band 4	K24, K49, K79	0		0.00
LDNO LV: Domestic Aggregated or CT with Residual		0, 1, 2	0.00	0.00
LDNO LV: Non-Domestic Aggregated or CT No Residual		0, 3, 4, 5-8		0.00
LDNO LV: Non-Domestic Aggregated or CT Band 1		0, 3, 4, 5-8		0.00
LDNO LV: Non-Domestic Aggregated or CT Band 2		0, 3, 4, 5-8		0.00
LDNO LV: Non-Domestic Aggregated or CT Band 3		0, 3, 4, 5-8		0.00
LDNO LV: Non-Domestic Aggregated or CT Band 4		0, 3, 4, 5-8		0.00
LDNO LV: LV Site Specific No Residual		0		0.00
LDNO LV: LV Site Specific Band 1		0		0.00
LDNO LV: LV Site Specific Band 2		0		0.00
LDNO LV: LV Site Specific Band 3		0		0.00
LDNO LV: LV Site Specific Band 4		0		0.00
LDNO HV: Domestic Aggregated or CT with Residual		0, 1, 2	0.00	0.00
LDNO HV: Non-Domestic Aggregated or CT No Residual		0, 3, 4, 5-8		0.00
LDNO HV: Non-Domestic Aggregated or CT Band 1		0, 3, 4, 5-8		0.00
LDNO HV: Non-Domestic Aggregated or CT Band 2		0, 3, 4, 5-8		0.00
LDNO HV: Non-Domestic Aggregated or CT Band 3		0, 3, 4, 5-8		0.00
LDNO HV: Non-Domestic Aggregated or CT Band 4		0, 3, 4, 5-8		0.00
LDNO HV: LV Site Specific No Residual		0		0.00
LDNO HV: LV Site Specific Band 1		0		0.00
LDNO HV: LV Site Specific Band 2		0		0.00
LDNO HV: LV Site Specific Band 3		0		0.00
LDNO HV: LV Site Specific Band 4		0		0.00
LDNO HV: LV Sub Site Specific No Residual		0		0.00
LDNO HV: LV Sub Site Specific Band 1		0		0.00
LDNO HV: LV Sub Site Specific Band 2		0		0.00

Tariff name	Open LLCs / DUoS Tariff IDs / LDNO unique billing identifier	PCs	Supplier of Last Resort Fixed charge adder* p/MPAN/day	Eligible Bad Debt Fixed charge adder** p/MPAN/day
LDNO HV: LV Sub Site Specific Band 3		0		0.00
LDNO HV: LV Sub Site Specific Band 4		0		0.00
LDNO HV: HV Site Specific No Residual		0		0.00
LDNO HV: HV Site Specific Band 1		0		0.00
LDNO HV: HV Site Specific Band 2		0		0.00
LDNO HV: HV Site Specific Band 3		0		0.00
LDNO HV: HV Site Specific Band 4		0		0.00
LDNO HVplus: Domestic Aggregated or CT with Residual		0, 1, 2	0.00	0.00
LDNO HVplus: Non-Domestic Aggregated or CT No Residual		0, 3, 4, 5-8		0.00
LDNO HVplus: Non-Domestic Aggregated or CT Band 1		0, 3, 4, 5-8		0.00
LDNO HVplus: Non-Domestic Aggregated or CT Band 2		0, 3, 4, 5-8		0.00
LDNO HVplus: Non-Domestic Aggregated or CT Band 3		0, 3, 4, 5-8		0.00
LDNO HVplus: Non-Domestic Aggregated or CT Band 4		0, 3, 4, 5-8		0.00
LDNO HVplus: LV Site Specific No Residual		0		0.00
LDNO HVplus: LV Site Specific Band 1		0		0.00
LDNO HVplus: LV Site Specific Band 2		0		0.00
LDNO HVplus: LV Site Specific Band 3		0		0.00
LDNO HVplus: LV Site Specific Band 4		0		0.00
LDNO HVplus: LV Sub Site Specific No Residual		0		0.00
LDNO HVplus: LV Sub Site Specific Band 1		0		0.00
LDNO HVplus: LV Sub Site Specific Band 2		0		0.00
LDNO HVplus: LV Sub Site Specific Band 3		0		0.00
LDNO HVplus: LV Sub Site Specific Band 4		0		0.00
LDNO HVplus: HV Site Specific No Residual		0		0.00
LDNO HVplus: HV Site Specific Band 1		0		0.00
LDNO HVplus: HV Site Specific Band 2		0		0.00
LDNO HVplus: HV Site Specific Band 3		0		0.00
LDNO HVplus: HV Site Specific Band 4		0		0.00
LDNO EHV: Domestic Aggregated or CT with Residual		0, 1, 2	0.00	0.00
LDNO EHV: Non-Domestic Aggregated or CT No Residual		0, 3, 4, 5-8		0.00

Tariff name	Open LLCs / DUoS Tariff IDs / LDNO unique billing identifier	PCs	Supplier of Last Resort Fixed charge adder* p/MPAN/day	Eligible Bad Debt Fixed charge adder** p/MPAN/day
LDNO EHV: Non-Domestic Aggregated or CT Band 1		0, 3, 4, 5-8		0.00
LDNO EHV: Non-Domestic Aggregated or CT Band 2		0, 3, 4, 5-8		0.00
LDNO EHV: Non-Domestic Aggregated or CT Band 3		0, 3, 4, 5-8		0.00
LDNO EHV: Non-Domestic Aggregated or CT Band 4		0, 3, 4, 5-8		0.00
LDNO EHV: LV Site Specific No Residual		0		0.00
LDNO EHV: LV Site Specific Band 1		0		0.00
LDNO EHV: LV Site Specific Band 2		0		0.00
LDNO EHV: LV Site Specific Band 3		0		0.00
LDNO EHV: LV Site Specific Band 4		0		0.00
LDNO EHV: LV Sub Site Specific No Residual		0		0.00
LDNO EHV: LV Sub Site Specific Band 1		0		0.00
LDNO EHV: LV Sub Site Specific Band 2		0		0.00
LDNO EHV: LV Sub Site Specific Band 3		0		0.00
LDNO EHV: LV Sub Site Specific Band 4		0		0.00
LDNO EHV: HV Site Specific No Residual		0		0.00
LDNO EHV: HV Site Specific Band 1		0		0.00
LDNO EHV: HV Site Specific Band 2		0		0.00
LDNO EHV: HV Site Specific Band 3		0		0.00
LDNO EHV: HV Site Specific Band 4		0		0.00
LDNO 132kV/EHV: Domestic Aggregated or CT with Residual		0, 1, 2	0.00	0.00
LDNO 132kV/EHV: Non-Domestic Aggregated or CT No Residual		0, 3, 4, 5-8		0.00
LDNO 132kV/EHV: Non-Domestic Aggregated or CT Band 1		0, 3, 4, 5-8		0.00
LDNO 132kV/EHV: Non-Domestic Aggregated or CT Band 2		0, 3, 4, 5-8		0.00
LDNO 132kV/EHV: Non-Domestic Aggregated or CT Band 3		0, 3, 4, 5-8		0.00
LDNO 132kV/EHV: Non-Domestic Aggregated or CT Band 4		0, 3, 4, 5-8		0.00
LDNO 132kV/EHV: LV Site Specific No Residual		0		0.00
LDNO 132kV/EHV: LV Site Specific Band 1		0		0.00
LDNO 132kV/EHV: LV Site Specific Band 2		0		0.00

Tariff name	Open LLFCs / DUoS Tariff IDs / LDNO unique billing identifier	PCs	Supplier of Last Resort Fixed charge adder* p/MPAN/day	Eligible Bad Debt Fixed charge adder** p/MPAN/day
LDNO 132kV/EHV: LV Site Specific Band 3		0		0.00
LDNO 132kV/EHV: LV Site Specific Band 4		0		0.00
LDNO 132kV/EHV: LV Sub Site Specific No Residual		0		0.00
LDNO 132kV/EHV: LV Sub Site Specific Band 1		0		0.00
LDNO 132kV/EHV: LV Sub Site Specific Band 2		0		0.00
LDNO 132kV/EHV: LV Sub Site Specific Band 3		0		0.00
LDNO 132kV/EHV: LV Sub Site Specific Band 4		0		0.00
LDNO 132kV/EHV: HV Site Specific No Residual		0		0.00
LDNO 132kV/EHV: HV Site Specific Band 1		0		0.00
LDNO 132kV/EHV: HV Site Specific Band 2		0		0.00
LDNO 132kV/EHV: HV Site Specific Band 3		0		0.00
LDNO 132kV/EHV: HV Site Specific Band 4		0		0.00
LDNO 132kV: Domestic Aggregated or CT with Residual		0, 1, 2	0.00	0.00
LDNO 132kV: Non-Domestic Aggregated or CT No Residual		0, 3, 4, 5-8		0.00
LDNO 132kV: Non-Domestic Aggregated or CT Band 1		0, 3, 4, 5-8		0.00
LDNO 132kV: Non-Domestic Aggregated or CT Band 2		0, 3, 4, 5-8		0.00
LDNO 132kV: Non-Domestic Aggregated or CT Band 3		0, 3, 4, 5-8		0.00
LDNO 132kV: Non-Domestic Aggregated or CT Band 4		0, 3, 4, 5-8		0.00
LDNO 132kV: LV Site Specific No Residual		0		0.00
LDNO 132kV: LV Site Specific Band 1		0		0.00
LDNO 132kV: LV Site Specific Band 2		0		0.00
LDNO 132kV: LV Site Specific Band 3		0		0.00
LDNO 132kV: LV Site Specific Band 4		0		0.00
LDNO 132kV: LV Sub Site Specific No Residual		0		0.00
LDNO 132kV: LV Sub Site Specific Band 1		0		0.00
LDNO 132kV: LV Sub Site Specific Band 2		0		0.00
LDNO 132kV: LV Sub Site Specific Band 3		0		0.00
LDNO 132kV: LV Sub Site Specific Band 4		0		0.00
LDNO 132kV: HV Site Specific No Residual		0		0.00
LDNO 132kV: HV Site Specific Band 1		0		0.00
LDNO 132kV: HV Site Specific Band 2		0		0.00

Tariff name	Open LLFCs / DUoS Tariff IDs / LDNO unique billing identifier	PCs	Supplier of Last Resort Fixed charge adder* p/MPAN/day	Eligible Bad Debt Fixed charge adder** p/MPAN/day
LDNO 132kV: HV Site Specific Band 3		0		0.00
LDNO 132kV: HV Site Specific Band 4		0		0.00
LDNO 0000: Domestic Aggregated or CT with Residual		0, 1, 2	0.00	0.00
LDNO 0000: Non-Domestic Aggregated or CT No Residual		0, 3, 4, 5-8		0.00
LDNO 0000: Non-Domestic Aggregated or CT Band 1		0, 3, 4, 5-8		0.00
LDNO 0000: Non-Domestic Aggregated or CT Band 2		0, 3, 4, 5-8		0.00
LDNO 0000: Non-Domestic Aggregated or CT Band 3		0, 3, 4, 5-8		0.00
LDNO 0000: Non-Domestic Aggregated or CT Band 4		0, 3, 4, 5-8		0.00
LDNO 0000: LV Site Specific No Residual		0		0.00
LDNO 0000: LV Site Specific Band 1		0		0.00
LDNO 0000: LV Site Specific Band 2		0		0.00
LDNO 0000: LV Site Specific Band 3		0		0.00
LDNO 0000: LV Site Specific Band 4		0		0.00
LDNO 0000: LV Sub Site Specific No Residual		0		0.00
LDNO 0000: LV Sub Site Specific Band 1		0		0.00
LDNO 0000: LV Sub Site Specific Band 2		0		0.00
LDNO 0000: LV Sub Site Specific Band 3		0		0.00
LDNO 0000: LV Sub Site Specific Band 4		0		0.00
LDNO 0000: HV Site Specific No Residual		0		0.00
LDNO 0000: HV Site Specific Band 1		0		0.00
LDNO 0000: HV Site Specific Band 2		0		0.00
LDNO 0000: HV Site Specific Band 3		0		0.00
LDNO 0000: HV Site Specific Band 4		0		0.00

Annex 7 – Supplier of last Resort and Eligible Bad Debt Pass-Through Costs in “NGED South West Area (GSP Group _L)”

Southern Electric Power Distribution plc - Effective from 1 April 2026 - Final Supplier of Last Resort and Eligible Bad Debt Pass-Through Costs in NGED South West Area (GSP Group _L)

Tariff name	Open LLFCs / DUoS Tariff IDs / LDNO unique billing identifier	PCs	Supplier of Last Resort Fixed charge adder* p/MPAN/day	Eligible Bad Debt Fixed charge adder** p/MPAN/day
Domestic Aggregated or CT with Residual	187, 381-382, L08, LA0	0, 1, 2	0.00	0.00
Non-Domestic Aggregated or CT No Residual	L10, L15, L20, L30, L45, L50, L55, R55, LA1	0, 3, 4, 5-8		0.00
Non-Domestic Aggregated or CT Band 1	L11, L16, L21, L31, L46, L51, L56, R56, LA2	0, 3, 4, 5-8		0.00
Non-Domestic Aggregated or CT Band 2	L12, L17, L22, L32, L47, L52, L57, R57, LA3	0, 3, 4, 5-8		0.00
Non-Domestic Aggregated or CT Band 3	L13, L18, L23, L33, L48, L53, L58, R58, LA4	0, 3, 4, 5-8		0.00
Non-Domestic Aggregated or CT Band 4	L14, L19, L24, L34, L49, L54, L59, R59, LA5	0, 3, 4, 5-8		0.00
LV Site Specific No Residual	L60, R60	0		0.00
LV Site Specific Band 1	L61, R61	0		0.00
LV Site Specific Band 2	L62, R62	0		0.00
LV Site Specific Band 3	L63, R63	0		0.00
LV Site Specific Band 4	L64, R64	0		0.00
LV Sub Site Specific No Residual	L35	0		0.00
LV Sub Site Specific Band 1	L36	0		0.00
LV Sub Site Specific Band 2	L37	0		0.00
LV Sub Site Specific Band 3	L38	0		0.00
LV Sub Site Specific Band 4	L39	0		0.00
HV Site Specific No Residual	L25, L40	0		0.00
HV Site Specific Band 1	L26, L41	0		0.00
HV Site Specific Band 2	L27, L42	0		0.00
HV Site Specific Band 3	L28, L43	0		0.00
HV Site Specific Band 4	L29, L44	0		0.00
LDNO LV: Domestic Aggregated or CT with Residual		0, 1, 2	0.00	0.00
LDNO LV: Non-Domestic Aggregated or CT No Residual		0, 3, 4, 5-8		0.00

Tariff name	Open LLFCs / DUoS Tariff IDs / LDNO unique billing identifier	PCs	Supplier of Last Resort Fixed charge adder* p/MPAN/day	Eligible Bad Debt Fixed charge adder** p/MPAN/day
LDNO LV: Non-Domestic Aggregated or CT Band 1		0, 3, 4, 5-8		0.00
LDNO LV: Non-Domestic Aggregated or CT Band 2		0, 3, 4, 5-8		0.00
LDNO LV: Non-Domestic Aggregated or CT Band 3		0, 3, 4, 5-8		0.00
LDNO LV: Non-Domestic Aggregated or CT Band 4		0, 3, 4, 5-8		0.00
LDNO LV: LV Site Specific No Residual		0		0.00
LDNO LV: LV Site Specific Band 1		0		0.00
LDNO LV: LV Site Specific Band 2		0		0.00
LDNO LV: LV Site Specific Band 3		0		0.00
LDNO LV: LV Site Specific Band 4		0		0.00
LDNO HV: Domestic Aggregated or CT with Residual		0, 1, 2	0.00	0.00
LDNO HV: Non-Domestic Aggregated or CT No Residual		0, 3, 4, 5-8		0.00
LDNO HV: Non-Domestic Aggregated or CT Band 1		0, 3, 4, 5-8		0.00
LDNO HV: Non-Domestic Aggregated or CT Band 2		0, 3, 4, 5-8		0.00
LDNO HV: Non-Domestic Aggregated or CT Band 3		0, 3, 4, 5-8		0.00
LDNO HV: Non-Domestic Aggregated or CT Band 4		0, 3, 4, 5-8		0.00
LDNO HV: LV Site Specific No Residual		0		0.00
LDNO HV: LV Site Specific Band 1		0		0.00
LDNO HV: LV Site Specific Band 2		0		0.00
LDNO HV: LV Site Specific Band 3		0		0.00
LDNO HV: LV Site Specific Band 4		0		0.00
LDNO HV: LV Sub Site Specific No Residual		0		0.00
LDNO HV: LV Sub Site Specific Band 1		0		0.00
LDNO HV: LV Sub Site Specific Band 2		0		0.00
LDNO HV: LV Sub Site Specific Band 3		0		0.00
LDNO HV: LV Sub Site Specific Band 4		0		0.00
LDNO HV: HV Site Specific No Residual		0		0.00
LDNO HV: HV Site Specific Band 1		0		0.00
LDNO HV: HV Site Specific Band 2		0		0.00

Tariff name	Open LLFCs / DUoS Tariff IDs / LDNO unique billing identifier	PCs	Supplier of Last Resort Fixed charge adder* p/MPAN/day	Eligible Bad Debt Fixed charge adder** p/MPAN/day
LDNO HV: HV Site Specific Band 3		0		0.00
LDNO HV: HV Site Specific Band 4		0		0.00
LDNO HVplus: Domestic Aggregated or CT with Residual		0, 1, 2	0.00	0.00
LDNO HVplus: Non-Domestic Aggregated or CT No Residual		0, 3, 4, 5-8		0.00
LDNO HVplus: Non-Domestic Aggregated or CT Band 1		0, 3, 4, 5-8		0.00
LDNO HVplus: Non-Domestic Aggregated or CT Band 2		0, 3, 4, 5-8		0.00
LDNO HVplus: Non-Domestic Aggregated or CT Band 3		0, 3, 4, 5-8		0.00
LDNO HVplus: Non-Domestic Aggregated or CT Band 4		0, 3, 4, 5-8		0.00
LDNO HVplus: LV Site Specific No Residual		0		0.00
LDNO HVplus: LV Site Specific Band 1		0		0.00
LDNO HVplus: LV Site Specific Band 2		0		0.00
LDNO HVplus: LV Site Specific Band 3		0		0.00
LDNO HVplus: LV Site Specific Band 4		0		0.00
LDNO HVplus: LV Sub Site Specific No Residual		0		0.00
LDNO HVplus: LV Sub Site Specific Band 1		0		0.00
LDNO HVplus: LV Sub Site Specific Band 2		0		0.00
LDNO HVplus: LV Sub Site Specific Band 3		0		0.00
LDNO HVplus: LV Sub Site Specific Band 4		0		0.00
LDNO HVplus: HV Site Specific No Residual		0		0.00
LDNO HVplus: HV Site Specific Band 1		0		0.00
LDNO HVplus: HV Site Specific Band 2		0		0.00
LDNO HVplus: HV Site Specific Band 3		0		0.00
LDNO HVplus: HV Site Specific Band 4		0		0.00
LDNO EHV: Domestic Aggregated or CT with Residual		0, 1, 2	0.00	0.00
LDNO EHV: Non-Domestic Aggregated or CT No Residual		0, 3, 4, 5-8		0.00
LDNO EHV: Non-Domestic Aggregated or CT Band 1		0, 3, 4, 5-8		0.00
LDNO EHV: Non-Domestic Aggregated or CT Band 2		0, 3, 4, 5-8		0.00
LDNO EHV: Non-Domestic Aggregated or CT Band 3		0, 3, 4, 5-8		0.00

Tariff name	Open LLFCs / DUoS Tariff IDs / LDNO unique billing identifier	PCs	Supplier of Last Resort Fixed charge adder* p/MPAN/day	Eligible Bad Debt Fixed charge adder** p/MPAN/day
LDNO EHV: Non-Domestic Aggregated or CT Band 4		0, 3, 4, 5-8		0.00
LDNO EHV: LV Site Specific No Residual		0		0.00
LDNO EHV: LV Site Specific Band 1		0		0.00
LDNO EHV: LV Site Specific Band 2		0		0.00
LDNO EHV: LV Site Specific Band 3		0		0.00
LDNO EHV: LV Site Specific Band 4		0		0.00
LDNO EHV: LV Sub Site Specific No Residual		0		0.00
LDNO EHV: LV Sub Site Specific Band 1		0		0.00
LDNO EHV: LV Sub Site Specific Band 2		0		0.00
LDNO EHV: LV Sub Site Specific Band 3		0		0.00
LDNO EHV: LV Sub Site Specific Band 4		0		0.00
LDNO EHV: HV Site Specific No Residual		0		0.00
LDNO EHV: HV Site Specific Band 1		0		0.00
LDNO EHV: HV Site Specific Band 2		0		0.00
LDNO EHV: HV Site Specific Band 3		0		0.00
LDNO EHV: HV Site Specific Band 4		0		0.00
LDNO 132kV/EHV: Domestic Aggregated or CT with Residual		0, 1, 2	0.00	0.00
LDNO 132kV/EHV: Non-Domestic Aggregated or CT No Residual		0, 3, 4, 5-8		0.00
LDNO 132kV/EHV: Non-Domestic Aggregated or CT Band 1		0, 3, 4, 5-8		0.00
LDNO 132kV/EHV: Non-Domestic Aggregated or CT Band 2		0, 3, 4, 5-8		0.00
LDNO 132kV/EHV: Non-Domestic Aggregated or CT Band 3		0, 3, 4, 5-8		0.00
LDNO 132kV/EHV: Non-Domestic Aggregated or CT Band 4		0, 3, 4, 5-8		0.00
LDNO 132kV/EHV: LV Site Specific No Residual		0		0.00
LDNO 132kV/EHV: LV Site Specific Band 1		0		0.00
LDNO 132kV/EHV: LV Site Specific Band 2		0		0.00
LDNO 132kV/EHV: LV Site Specific Band 3		0		0.00
LDNO 132kV/EHV: LV Site Specific Band 4		0		0.00
LDNO 132kV/EHV: LV Sub Site Specific No Residual		0		0.00
LDNO 132kV/EHV: LV Sub Site Specific Band 1		0		0.00
LDNO 132kV/EHV: LV Sub Site Specific Band 2		0		0.00

Tariff name	Open LLFCs / DUoS Tariff IDs / LDNO unique billing identifier	PCs	Supplier of Last Resort Fixed charge adder* p/MPAN/day	Eligible Bad Debt Fixed charge adder** p/MPAN/day
LDNO 132kV/EHV: LV Sub Site Specific Band 3		0		0.00
LDNO 132kV/EHV: LV Sub Site Specific Band 4		0		0.00
LDNO 132kV/EHV: HV Site Specific No Residual		0		0.00
LDNO 132kV/EHV: HV Site Specific Band 1		0		0.00
LDNO 132kV/EHV: HV Site Specific Band 2		0		0.00
LDNO 132kV/EHV: HV Site Specific Band 3		0		0.00
LDNO 132kV/EHV: HV Site Specific Band 4		0		0.00
LDNO 132kV: Domestic Aggregated or CT with Residual		0, 1, 2	0.00	0.00
LDNO 132kV: Non-Domestic Aggregated or CT No Residual		0, 3, 4, 5-8		0.00
LDNO 132kV: Non-Domestic Aggregated or CT Band 1		0, 3, 4, 5-8		0.00
LDNO 132kV: Non-Domestic Aggregated or CT Band 2		0, 3, 4, 5-8		0.00
LDNO 132kV: Non-Domestic Aggregated or CT Band 3		0, 3, 4, 5-8		0.00
LDNO 132kV: Non-Domestic Aggregated or CT Band 4		0, 3, 4, 5-8		0.00
LDNO 132kV: LV Site Specific No Residual		0		0.00
LDNO 132kV: LV Site Specific Band 1		0		0.00
LDNO 132kV: LV Site Specific Band 2		0		0.00
LDNO 132kV: LV Site Specific Band 3		0		0.00
LDNO 132kV: LV Site Specific Band 4		0		0.00
LDNO 132kV: LV Sub Site Specific No Residual		0		0.00
LDNO 132kV: LV Sub Site Specific Band 1		0		0.00
LDNO 132kV: LV Sub Site Specific Band 2		0		0.00
LDNO 132kV: LV Sub Site Specific Band 3		0		0.00
LDNO 132kV: LV Sub Site Specific Band 4		0		0.00
LDNO 132kV: HV Site Specific No Residual		0		0.00
LDNO 132kV: HV Site Specific Band 1		0		0.00
LDNO 132kV: HV Site Specific Band 2		0		0.00
LDNO 132kV: HV Site Specific Band 3		0		0.00
LDNO 132kV: HV Site Specific Band 4		0		0.00
LDNO 0000: Domestic Aggregated or CT with Residual		0, 1, 2	0.00	0.00
LDNO 0000: Non-Domestic Aggregated or CT No Residual		0, 3, 4, 5-8		0.00

Tariff name	Open LLFCs / DUoS Tariff IDs / LDNO unique billing identifier	PCs	Supplier of Last Resort Fixed charge adder* p/MPAN/day	Eligible Bad Debt Fixed charge adder** p/MPAN/day
LDNO 0000: Non-Domestic Aggregated or CT Band 1		0, 3, 4, 5-8		0.00
LDNO 0000: Non-Domestic Aggregated or CT Band 2		0, 3, 4, 5-8		0.00
LDNO 0000: Non-Domestic Aggregated or CT Band 3		0, 3, 4, 5-8		0.00
LDNO 0000: Non-Domestic Aggregated or CT Band 4		0, 3, 4, 5-8		0.00
LDNO 0000: LV Site Specific No Residual		0		0.00
LDNO 0000: LV Site Specific Band 1		0		0.00
LDNO 0000: LV Site Specific Band 2		0		0.00
LDNO 0000: LV Site Specific Band 3		0		0.00
LDNO 0000: LV Site Specific Band 4		0		0.00
LDNO 0000: LV Sub Site Specific No Residual		0		0.00
LDNO 0000: LV Sub Site Specific Band 1		0		0.00
LDNO 0000: LV Sub Site Specific Band 2		0		0.00
LDNO 0000: LV Sub Site Specific Band 3		0		0.00
LDNO 0000: LV Sub Site Specific Band 4		0		0.00
LDNO 0000: HV Site Specific No Residual		0		0.00
LDNO 0000: HV Site Specific Band 1		0		0.00
LDNO 0000: HV Site Specific Band 2		0		0.00
LDNO 0000: HV Site Specific Band 3		0		0.00
LDNO 0000: HV Site Specific Band 4		0		0.00

Annex 7 – Supplier of last Resort and Eligible Bad Debt Pass-Through Costs in “Northern Powergrid (Yorkshire) Area (GSP Group _M)”

Southern Electric Power Distribution plc - Effective from 1 April 2026 - Final Supplier of Last Resort and Eligible Bad Debt Pass-Through Costs in NPG Yorkshire Area (GSP Group _M)

Tariff name	Open LLFCs / DUoS Tariff IDs / LDNO unique billing identifier	PCs	Supplier of Last Resort Fixed charge adder* p/MPAN/day	Eligible Bad Debt Fixed charge adder** p/MPAN/day
Domestic Aggregated or CT with Residual	189, 391-392, 491-492, 522, MA0	0, 1, 2	0.00	0.00
Non-Domestic Aggregated or CT No Residual	M10, M15, M20, M30, M35, M45, M50, M55, R70, MA1	0, 3, 4, 5-8		0.00
Non-Domestic Aggregated or CT Band 1	M11, M16, M21, M31, M36, M46, M51, M56, R71, MA2	0, 3, 4, 5-8		0.00
Non-Domestic Aggregated or CT Band 2	M12, M17, M22, M32, M37, M47, M52, M57, R72, MA3	0, 3, 4, 5-8		0.00
Non-Domestic Aggregated or CT Band 3	M13, M18, M23, M33, M38, M48, M53, M58, R73, MA4	0, 3, 4, 5-8		0.00
Non-Domestic Aggregated or CT Band 4	M14, M19, M24, M34, M39, M49, M54, M59, R74, MA5	0, 3, 4, 5-8		0.00
LV Site Specific No Residual	M60, R65	0		0.00
LV Site Specific Band 1	M61, R66	0		0.00
LV Site Specific Band 2	M62, R67	0		0.00
LV Site Specific Band 3	M63, R68	0		0.00
LV Site Specific Band 4	M64, R69	0		0.00
LV Sub Site Specific No Residual	M40	0		0.00
LV Sub Site Specific Band 1	M41	0		0.00
LV Sub Site Specific Band 2	M42	0		0.00
LV Sub Site Specific Band 3	M43	0		0.00
LV Sub Site Specific Band 4	M44	0		0.00
HV Site Specific No Residual	M25	0		0.00
HV Site Specific Band 1	M26	0		0.00
HV Site Specific Band 2	M27	0		0.00

Tariff name	Open LLFCs / DUoS Tariff IDs / LDNO unique billing identifier	PCs	Supplier of Last Resort Fixed charge adder* p/MPAN/day	Eligible Bad Debt Fixed charge adder** p/MPAN/day
HV Site Specific Band 3	M28	0		0.00
HV Site Specific Band 4	M29	0		0.00
LDNO LV: Domestic Aggregated or CT with Residual		0, 1, 2	0.00	0.00
LDNO LV: Non-Domestic Aggregated or CT No Residual		0, 3, 4, 5-8		0.00
LDNO LV: Non-Domestic Aggregated or CT Band 1		0, 3, 4, 5-8		0.00
LDNO LV: Non-Domestic Aggregated or CT Band 2		0, 3, 4, 5-8		0.00
LDNO LV: Non-Domestic Aggregated or CT Band 3		0, 3, 4, 5-8		0.00
LDNO LV: Non-Domestic Aggregated or CT Band 4		0, 3, 4, 5-8		0.00
LDNO LV: LV Site Specific No Residual		0		0.00
LDNO LV: LV Site Specific Band 1		0		0.00
LDNO LV: LV Site Specific Band 2		0		0.00
LDNO LV: LV Site Specific Band 3		0		0.00
LDNO LV: LV Site Specific Band 4		0		0.00
LDNO HV: Domestic Aggregated or CT with Residual		0, 1, 2	0.00	0.00
LDNO HV: Non-Domestic Aggregated or CT No Residual		0, 3, 4, 5-8		0.00
LDNO HV: Non-Domestic Aggregated or CT Band 1		0, 3, 4, 5-8		0.00
LDNO HV: Non-Domestic Aggregated or CT Band 2		0, 3, 4, 5-8		0.00
LDNO HV: Non-Domestic Aggregated or CT Band 3		0, 3, 4, 5-8		0.00
LDNO HV: Non-Domestic Aggregated or CT Band 4		0, 3, 4, 5-8		0.00
LDNO HV: LV Site Specific No Residual		0		0.00
LDNO HV: LV Site Specific Band 1		0		0.00
LDNO HV: LV Site Specific Band 2		0		0.00
LDNO HV: LV Site Specific Band 3		0		0.00
LDNO HV: LV Site Specific Band 4		0		0.00
LDNO HV: LV Sub Site Specific No Residual		0		0.00
LDNO HV: LV Sub Site Specific Band 1		0		0.00
LDNO HV: LV Sub Site Specific Band 2		0		0.00

Tariff name	Open LLCs / DUoS Tariff IDs / LDNO unique billing identifier	PCs	Supplier of Last Resort Fixed charge adder* p/MPAN/day	Eligible Bad Debt Fixed charge adder** p/MPAN/day
LDNO HV: LV Sub Site Specific Band 3		0		0.00
LDNO HV: LV Sub Site Specific Band 4		0		0.00
LDNO HV: HV Site Specific No Residual		0		0.00
LDNO HV: HV Site Specific Band 1		0		0.00
LDNO HV: HV Site Specific Band 2		0		0.00
LDNO HV: HV Site Specific Band 3		0		0.00
LDNO HV: HV Site Specific Band 4		0		0.00
LDNO HVplus: Domestic Aggregated or CT with Residual		0, 1, 2	0.00	0.00
LDNO HVplus: Non-Domestic Aggregated or CT No Residual		0, 3, 4, 5-8		0.00
LDNO HVplus: Non-Domestic Aggregated or CT Band 1		0, 3, 4, 5-8		0.00
LDNO HVplus: Non-Domestic Aggregated or CT Band 2		0, 3, 4, 5-8		0.00
LDNO HVplus: Non-Domestic Aggregated or CT Band 3		0, 3, 4, 5-8		0.00
LDNO HVplus: Non-Domestic Aggregated or CT Band 4		0, 3, 4, 5-8		0.00
LDNO HVplus: LV Site Specific No Residual		0		0.00
LDNO HVplus: LV Site Specific Band 1		0		0.00
LDNO HVplus: LV Site Specific Band 2		0		0.00
LDNO HVplus: LV Site Specific Band 3		0		0.00
LDNO HVplus: LV Site Specific Band 4		0		0.00
LDNO HVplus: LV Sub Site Specific No Residual		0		0.00
LDNO HVplus: LV Sub Site Specific Band 1		0		0.00
LDNO HVplus: LV Sub Site Specific Band 2		0		0.00
LDNO HVplus: LV Sub Site Specific Band 3		0		0.00
LDNO HVplus: LV Sub Site Specific Band 4		0		0.00
LDNO HVplus: HV Site Specific No Residual		0		0.00
LDNO HVplus: HV Site Specific Band 1		0		0.00
LDNO HVplus: HV Site Specific Band 2		0		0.00
LDNO HVplus: HV Site Specific Band 3		0		0.00
LDNO HVplus: HV Site Specific Band 4		0		0.00
LDNO EHV: Domestic Aggregated or CT with Residual		0, 1, 2	0.00	0.00
LDNO EHV: Non-Domestic Aggregated or CT No Residual		0, 3, 4, 5-8		0.00

Tariff name	Open LLCs / DUoS Tariff IDs / LDNO unique billing identifier	PCs	Supplier of Last Resort Fixed charge adder* p/MPAN/day	Eligible Bad Debt Fixed charge adder** p/MPAN/day
LDNO EHV: Non-Domestic Aggregated or CT Band 1		0, 3, 4, 5-8		0.00
LDNO EHV: Non-Domestic Aggregated or CT Band 2		0, 3, 4, 5-8		0.00
LDNO EHV: Non-Domestic Aggregated or CT Band 3		0, 3, 4, 5-8		0.00
LDNO EHV: Non-Domestic Aggregated or CT Band 4		0, 3, 4, 5-8		0.00
LDNO EHV: LV Site Specific No Residual		0		0.00
LDNO EHV: LV Site Specific Band 1		0		0.00
LDNO EHV: LV Site Specific Band 2		0		0.00
LDNO EHV: LV Site Specific Band 3		0		0.00
LDNO EHV: LV Site Specific Band 4		0		0.00
LDNO EHV: LV Sub Site Specific No Residual		0		0.00
LDNO EHV: LV Sub Site Specific Band 1		0		0.00
LDNO EHV: LV Sub Site Specific Band 2		0		0.00
LDNO EHV: LV Sub Site Specific Band 3		0		0.00
LDNO EHV: LV Sub Site Specific Band 4		0		0.00
LDNO EHV: HV Site Specific No Residual		0		0.00
LDNO EHV: HV Site Specific Band 1		0		0.00
LDNO EHV: HV Site Specific Band 2		0		0.00
LDNO EHV: HV Site Specific Band 3		0		0.00
LDNO EHV: HV Site Specific Band 4		0		0.00
LDNO 132kV/EHV: Domestic Aggregated or CT with Residual		0, 1, 2	0.00	0.00
LDNO 132kV/EHV: Non-Domestic Aggregated or CT No Residual		0, 3, 4, 5-8		0.00
LDNO 132kV/EHV: Non-Domestic Aggregated or CT Band 1		0, 3, 4, 5-8		0.00
LDNO 132kV/EHV: Non-Domestic Aggregated or CT Band 2		0, 3, 4, 5-8		0.00
LDNO 132kV/EHV: Non-Domestic Aggregated or CT Band 3		0, 3, 4, 5-8		0.00
LDNO 132kV/EHV: Non-Domestic Aggregated or CT Band 4		0, 3, 4, 5-8		0.00
LDNO 132kV/EHV: LV Site Specific No Residual		0		0.00
LDNO 132kV/EHV: LV Site Specific Band 1		0		0.00
LDNO 132kV/EHV: LV Site Specific Band 2		0		0.00

Tariff name	Open LFCs / DUoS Tariff IDs / LDNO unique billing identifier	PCs	Supplier of Last Resort Fixed charge adder* p/MPAN/day	Eligible Bad Debt Fixed charge adder** p/MPAN/day
LDNO 132kV/EHV: LV Site Specific Band 3		0		0.00
LDNO 132kV/EHV: LV Site Specific Band 4		0		0.00
LDNO 132kV/EHV: LV Sub Site Specific No Residual		0		0.00
LDNO 132kV/EHV: LV Sub Site Specific Band 1		0		0.00
LDNO 132kV/EHV: LV Sub Site Specific Band 2		0		0.00
LDNO 132kV/EHV: LV Sub Site Specific Band 3		0		0.00
LDNO 132kV/EHV: LV Sub Site Specific Band 4		0		0.00
LDNO 132kV/EHV: HV Site Specific No Residual		0		0.00
LDNO 132kV/EHV: HV Site Specific Band 1		0		0.00
LDNO 132kV/EHV: HV Site Specific Band 2		0		0.00
LDNO 132kV/EHV: HV Site Specific Band 3		0		0.00
LDNO 132kV/EHV: HV Site Specific Band 4		0		0.00
LDNO 132kV: Domestic Aggregated or CT with Residual		0, 1, 2	0.00	0.00
LDNO 132kV: Non-Domestic Aggregated or CT No Residual		0, 3, 4, 5-8		0.00
LDNO 132kV: Non-Domestic Aggregated or CT Band 1		0, 3, 4, 5-8		0.00
LDNO 132kV: Non-Domestic Aggregated or CT Band 2		0, 3, 4, 5-8		0.00
LDNO 132kV: Non-Domestic Aggregated or CT Band 3		0, 3, 4, 5-8		0.00
LDNO 132kV: Non-Domestic Aggregated or CT Band 4		0, 3, 4, 5-8		0.00
LDNO 132kV: LV Site Specific No Residual		0		0.00
LDNO 132kV: LV Site Specific Band 1		0		0.00
LDNO 132kV: LV Site Specific Band 2		0		0.00
LDNO 132kV: LV Site Specific Band 3		0		0.00
LDNO 132kV: LV Site Specific Band 4		0		0.00
LDNO 132kV: LV Sub Site Specific No Residual		0		0.00
LDNO 132kV: LV Sub Site Specific Band 1		0		0.00
LDNO 132kV: LV Sub Site Specific Band 2		0		0.00
LDNO 132kV: LV Sub Site Specific Band 3		0		0.00
LDNO 132kV: LV Sub Site Specific Band 4		0		0.00
LDNO 132kV: HV Site Specific No Residual		0		0.00
LDNO 132kV: HV Site Specific Band 1		0		0.00
LDNO 132kV: HV Site Specific Band 2		0		0.00

Tariff name	Open LLFCs / DUoS Tariff IDs / LDNO unique billing identifier	PCs	Supplier of Last Resort Fixed charge adder* p/MPAN/day	Eligible Bad Debt Fixed charge adder** p/MPAN/day
LDNO 132kV: HV Site Specific Band 3		0		0.00
LDNO 132kV: HV Site Specific Band 4		0		0.00
LDNO 0000: Domestic Aggregated or CT with Residual		0, 1, 2	0.00	0.00
LDNO 0000: Non-Domestic Aggregated or CT No Residual		0, 3, 4, 5-8		0.00
LDNO 0000: Non-Domestic Aggregated or CT Band 1		0, 3, 4, 5-8		0.00
LDNO 0000: Non-Domestic Aggregated or CT Band 2		0, 3, 4, 5-8		0.00
LDNO 0000: Non-Domestic Aggregated or CT Band 3		0, 3, 4, 5-8		0.00
LDNO 0000: Non-Domestic Aggregated or CT Band 4		0, 3, 4, 5-8		0.00
LDNO 0000: LV Site Specific No Residual		0		0.00
LDNO 0000: LV Site Specific Band 1		0		0.00
LDNO 0000: LV Site Specific Band 2		0		0.00
LDNO 0000: LV Site Specific Band 3		0		0.00
LDNO 0000: LV Site Specific Band 4		0		0.00
LDNO 0000: LV Sub Site Specific No Residual		0		0.00
LDNO 0000: LV Sub Site Specific Band 1		0		0.00
LDNO 0000: LV Sub Site Specific Band 2		0		0.00
LDNO 0000: LV Sub Site Specific Band 3		0		0.00
LDNO 0000: LV Sub Site Specific Band 4		0		0.00
LDNO 0000: HV Site Specific No Residual		0		0.00
LDNO 0000: HV Site Specific Band 1		0		0.00
LDNO 0000: HV Site Specific Band 2		0		0.00
LDNO 0000: HV Site Specific Band 3		0		0.00
LDNO 0000: HV Site Specific Band 4		0		0.00

*Supplier of Last Resort pass-through costs allocated to all domestic tariffs with a fixed charge (including LDNO)

**Eligible Bad Debt pass-through costs allocated to all metered demand tariffs (including LDNO)